

## SERIES 8500 OUT-SWING CASEMENT SERIES 8520 PROJECT-OUT WINDOWS

TEST SIZE W X H	AAMA RATING	AIR INFILTRATION	DESIGN PRESSURE	WATER RESISTANCE	U- FACTOR	SHGC	VT
40"X70" (SERIES 8500)	AW-PG70	≤0.30 cfm/ft <sup>2</sup>	70 psf	12 psf	0.41-0.61	0.16-0.51	0.21-0.52
36"X60" (SERIES 8500)	AW-PG100	≤0.30 cfm/ft <sup>2</sup>	100 psf	12 psf			
60"X36" (SERIES 8520)	AW-PG80	≤0.30 cfm/ft <sup>2</sup>	80 psf	12 psf			



### TABLE OF CONTENT

#### 8500 OUT-SWING CASEMENT WINDOW (PAGE 2-14)

##### 2<sup>5</sup>/<sub>8</sub>" FRAME (PAGE 2-10)

- SECTION DETAILS -P2
- OPERATOR -P3
- MASTER FRAME -P4-P7
- MULLION -P8-P9
- NAILING FIN -P10
- FACE FLANGE -P11

##### 3<sup>1</sup>/<sub>4</sub>" FRAME (PAGE 11-14)

- SECTION DETAILS -P12
- MULLION -P13-P14
- FACE FLANGE -P15

#### 8520 PROJECT-OUT WINDOW (PAGE 15-26)

##### 2<sup>5</sup>/<sub>8</sub>" FRAME (PAGE 12-22)

- SECTION DETAILS -P16
- OPERATOR -P17
- MASTER FRAME -P18-P22
- MULLION -P23-P24
- NAILING FIN -P25
- FACE FLANGE -P26

##### 3<sup>1</sup>/<sub>4</sub>" FRAME (PAGE 23-26)

- SECTION DETAILS -P27
- MULLION -P28-P29
- FACE FLANGE -P30

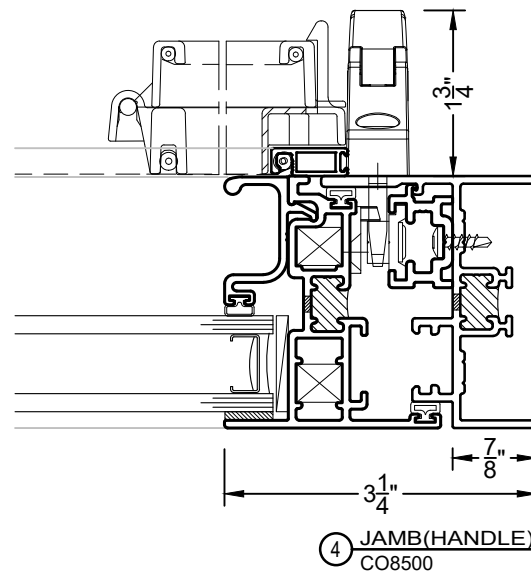
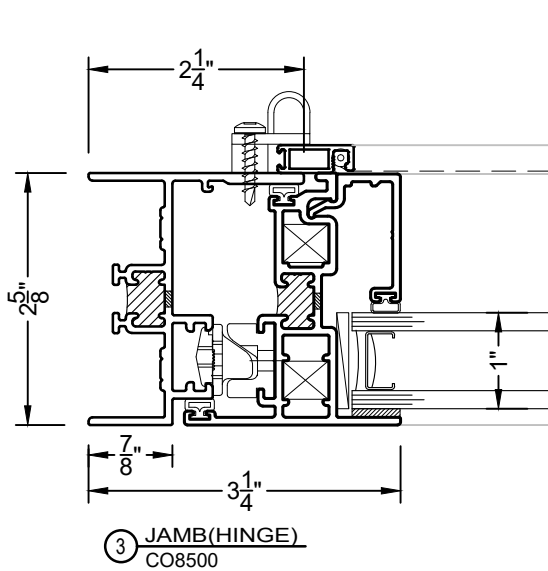
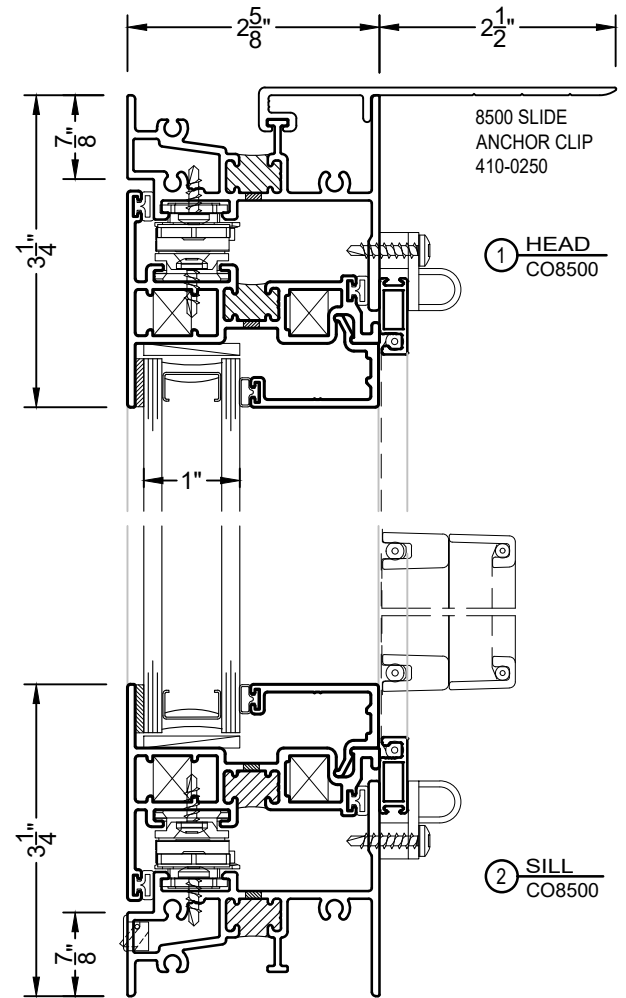
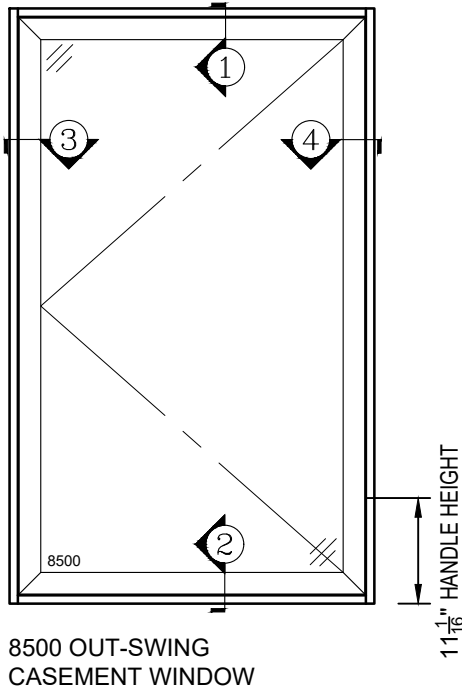
### FEATURES

- ALUMINUM THERMAL-BREAK OUT-SWING / PROJECT OUT WINDOW
- 2-5/8" FRAME DEPTH
- 1" DOUBLE PANE INSULATED GLASS
- AAMA 2604 POWDER COAT PAINT
- HEAVY DUTY EXTRUSION
- EURO-STYLE FRAME & SASH
- EURO-STYLE MULTI-LOCKING POINT SYSTEM
- CONCEALED HEAVY DUTY STAINLESS STEEL 4-BAR HINGES
- LINEAR LOCKING HANDLE FOR 8500 OUT-SWING
- CAM HANDLE FOR 8520 PROJECT OUT WINDOW
- FULL SCREEN

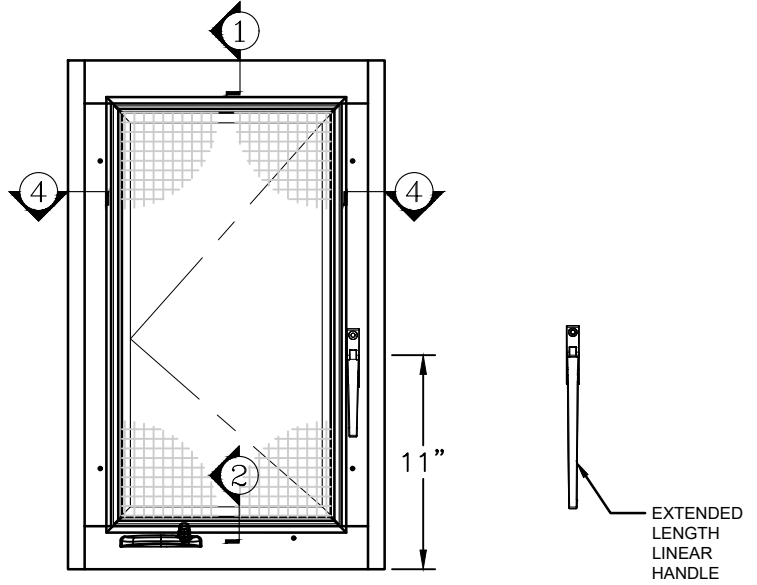
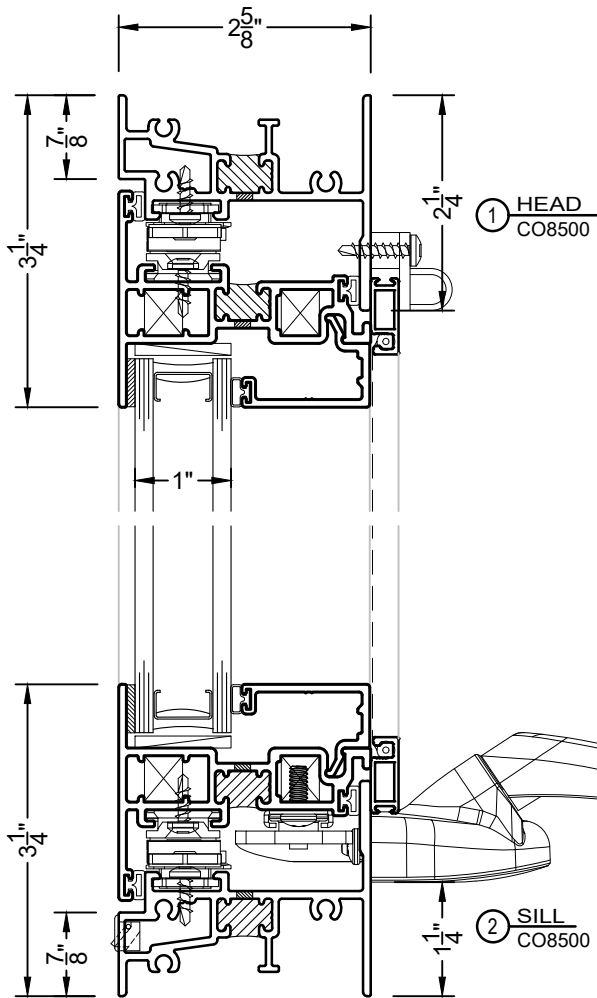
### OPTIONAL SELECTIONS

- LOW-E COATING & ARGON FILLED IGU
- CUSTOM FINISH AND CUSTOM COLOR
- CONTINUOUS MATER FRAME DESIGN
- 1-1/4" INSULATED GLASS
- 3-1/4" FRAME DEPTH
- 1-1/2" FACE FLANGE
- 1-1/2" NAILING FIN (2<sup>5</sup>/<sub>8</sub>" FRAME ONLY)
- GRIDS
- CRANK OPERATOR
- ADA HANDLE
- WASHABLE HINGE
- CUSTODIAL LINEAR LOCKING HANDLE
- OTHER OPTIONAL ACCESSORIES

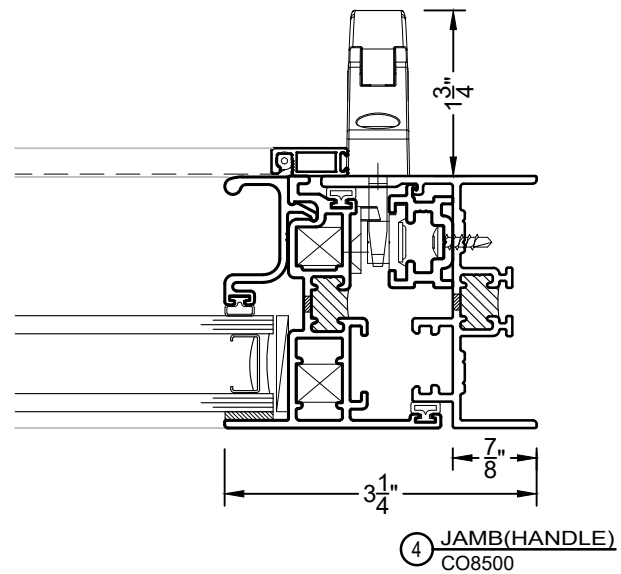
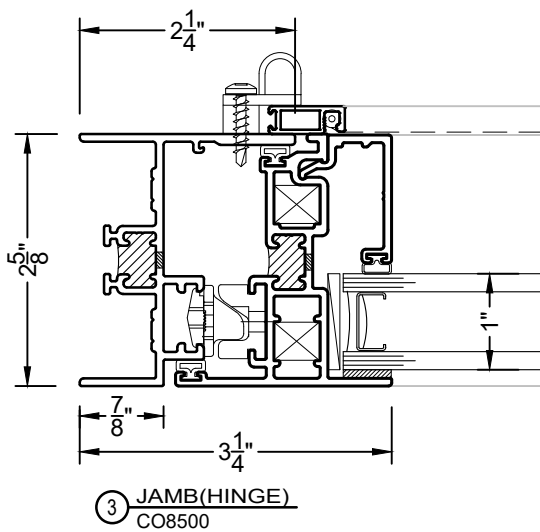
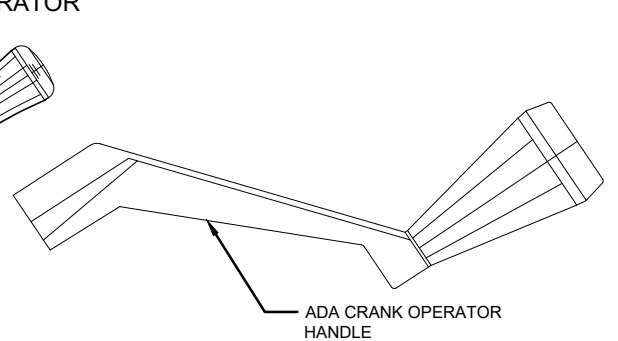
2<sup>5</sup>/<sub>8</sub>" FRAME DEPTH



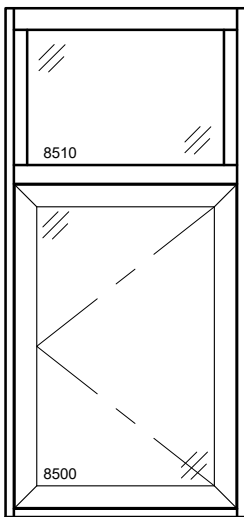
VER: 2020.03



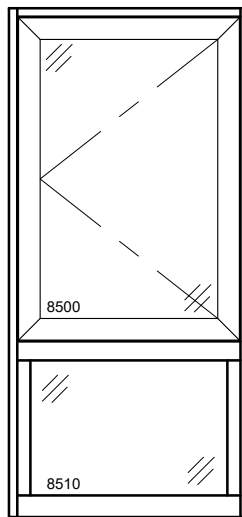
INTERIOR VIEW  
 8500 OUT-SWING CASEMENT WITH  
 OPERATOR



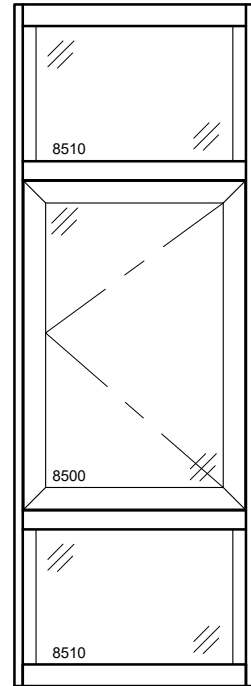
VER: 2020.03



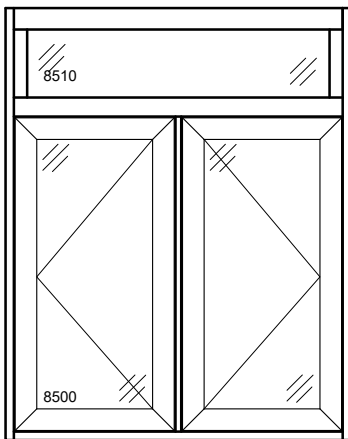
PW8500-2V FIXED OVER CASEMENT



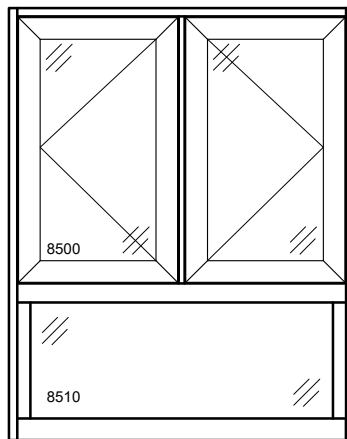
PW8500-2V CASEMENT OVER FIXED



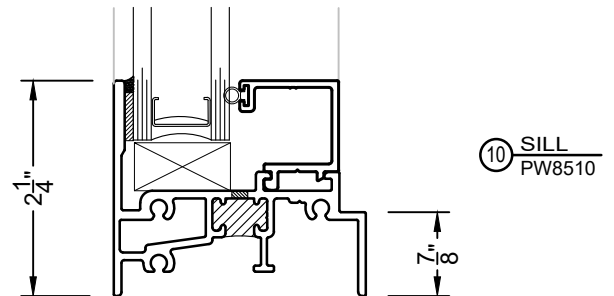
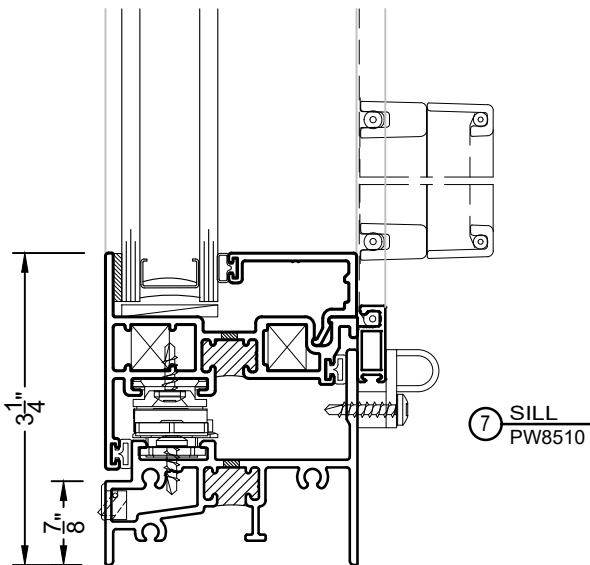
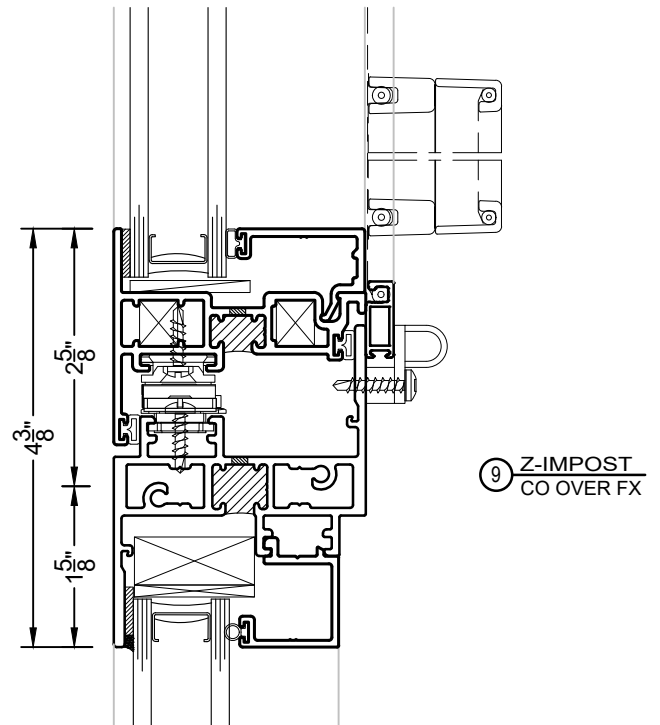
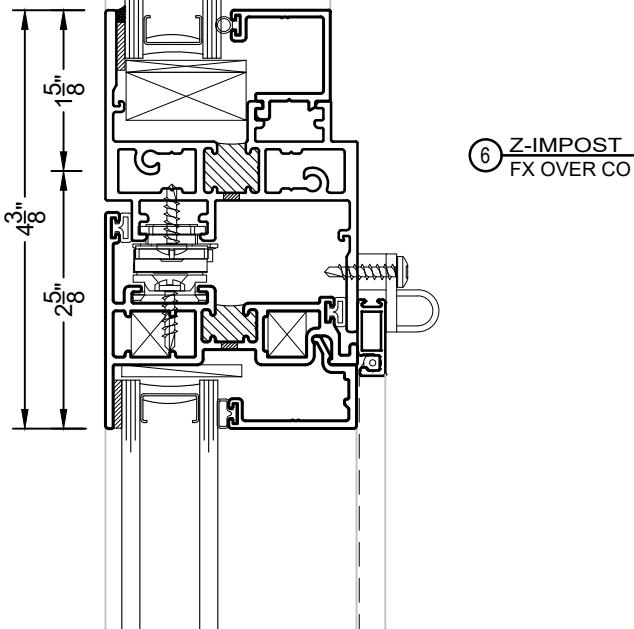
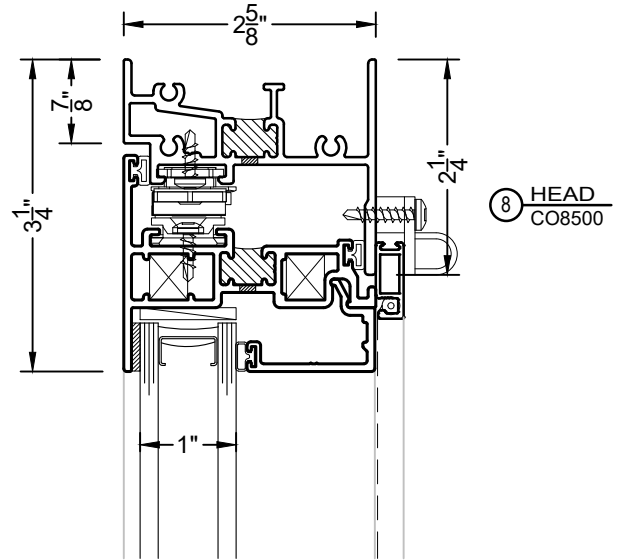
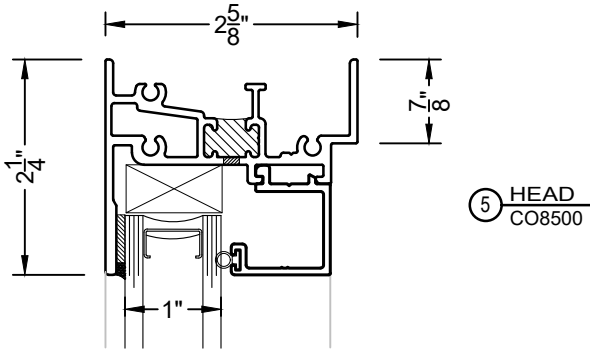
PW8500-3V FX OVER CO OVER FX



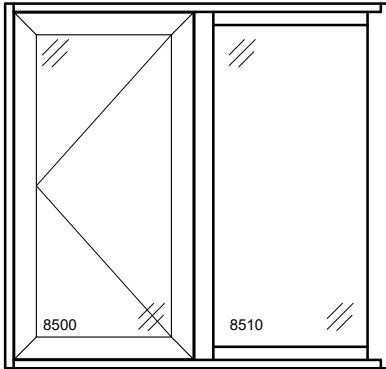
8500 THREE LITE  
 FX OVER CO-CO



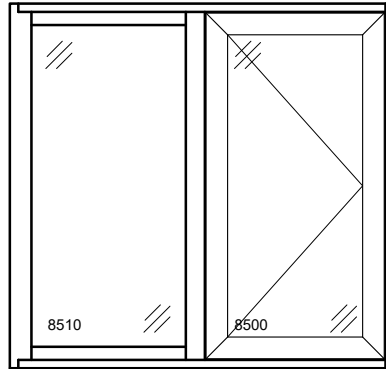
8500 THREE LITE  
 CO-CO OVER FX



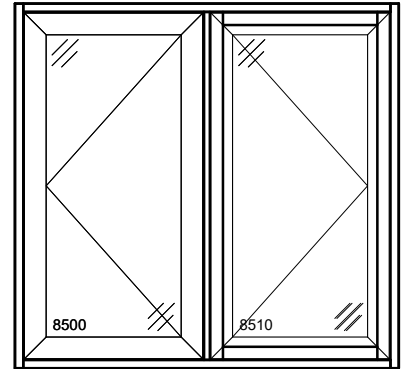
VER: 2020.03



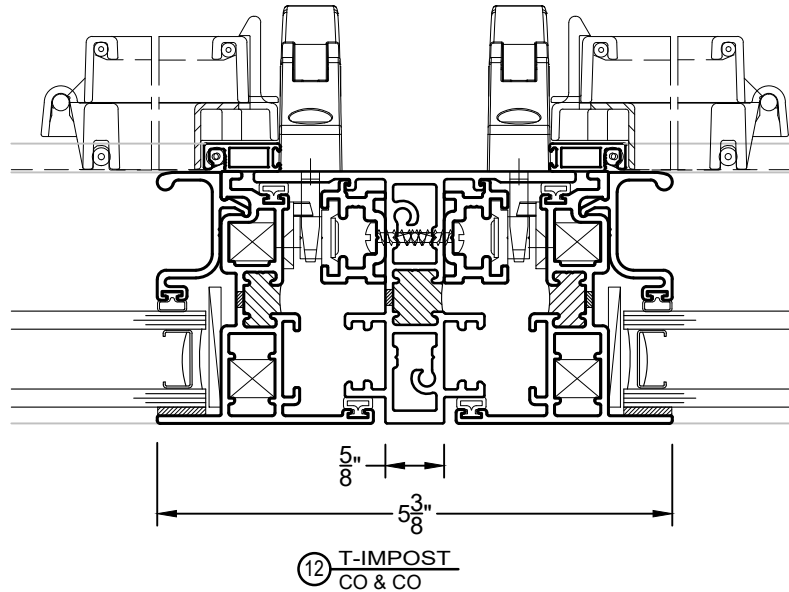
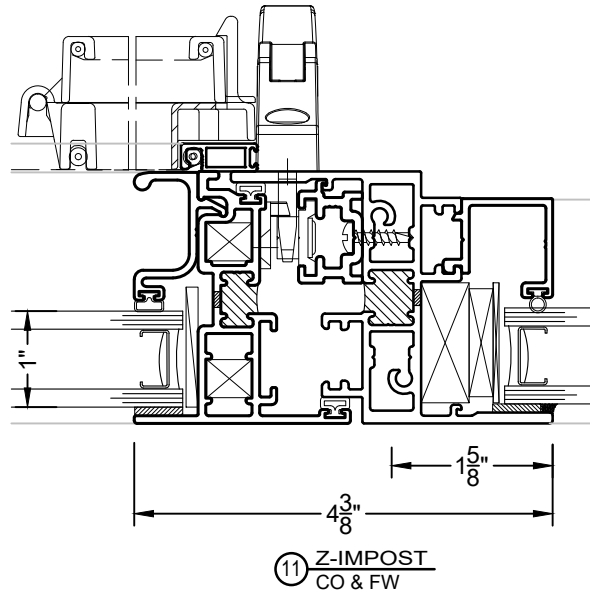
PW8500-2H FIXED & CASEMENT



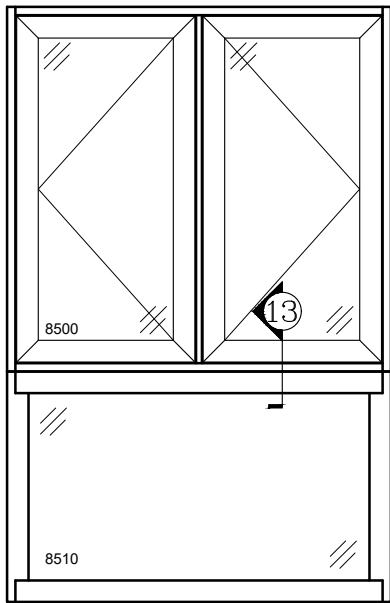
PW8500-2H CASEMENT & FIXED



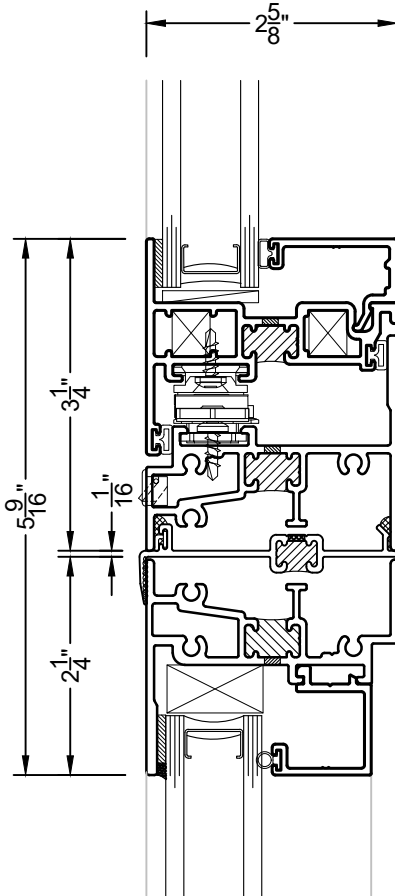
PW8500-2H TWIN CASEMENT



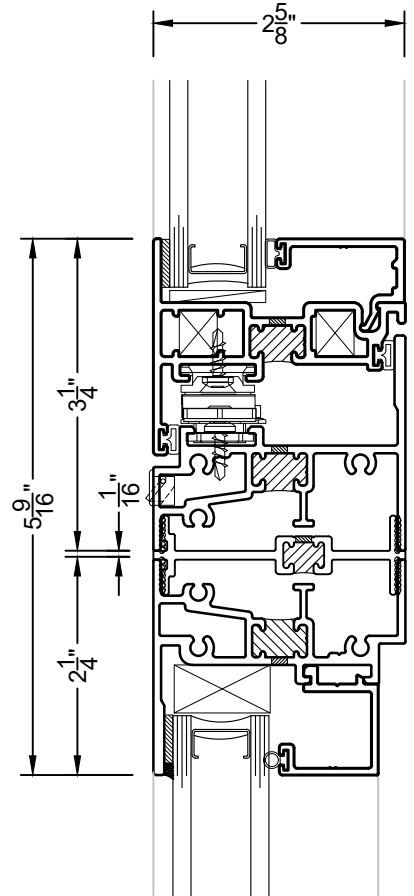
VER: 2020.03



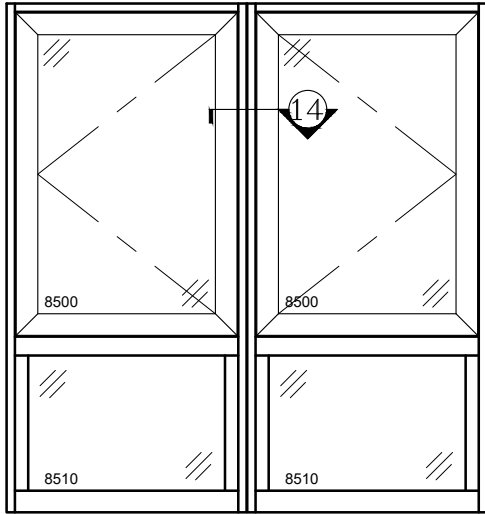
PW8500-2H OVER PW8510



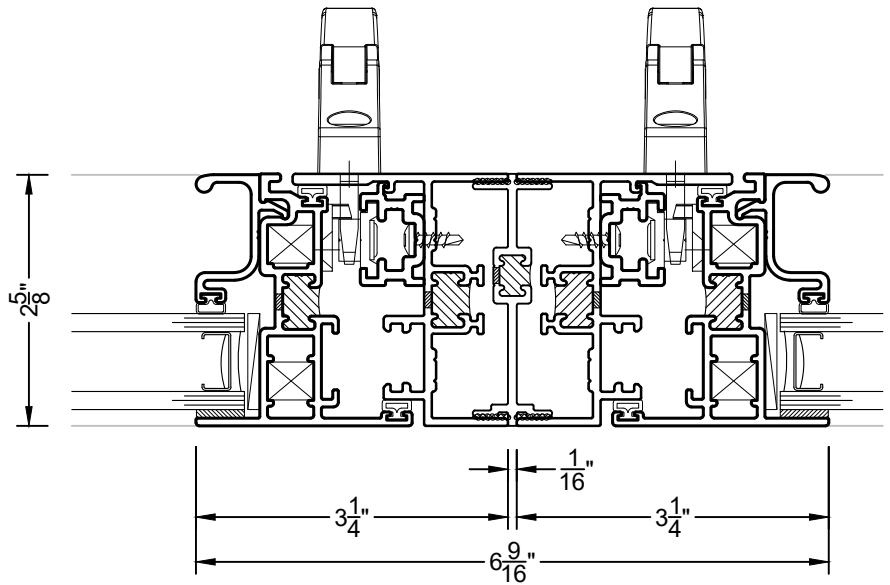
13 STACK MULLION  
 CO8500 OVER PW8510



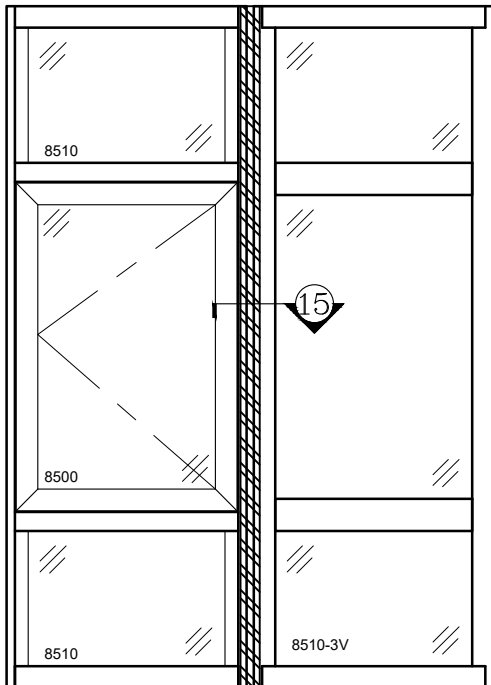
13A H MULLION  
 CO8500 OVER PW8510



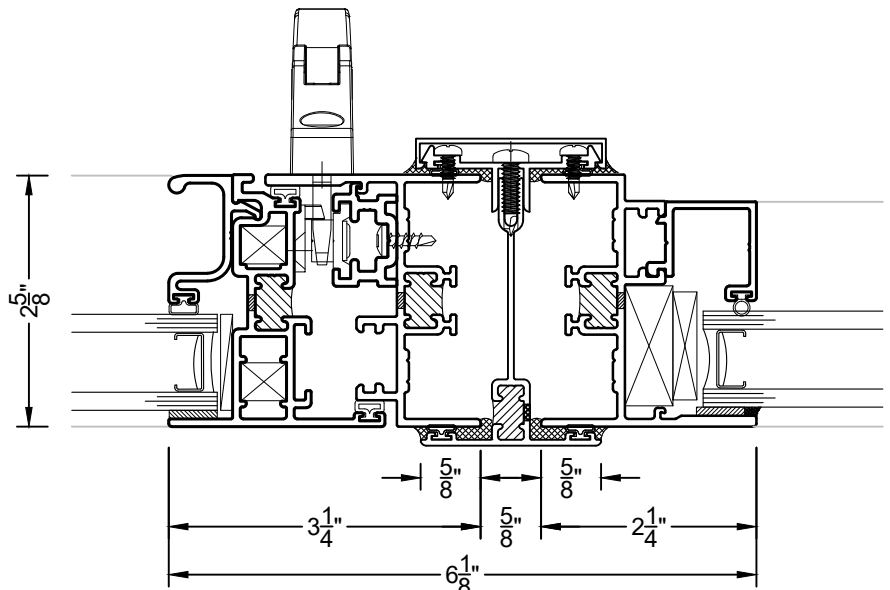
PW8500-2V & PW8500-2V WITH H MULLION



14 H MULLION  
 CO8500 & CO8500

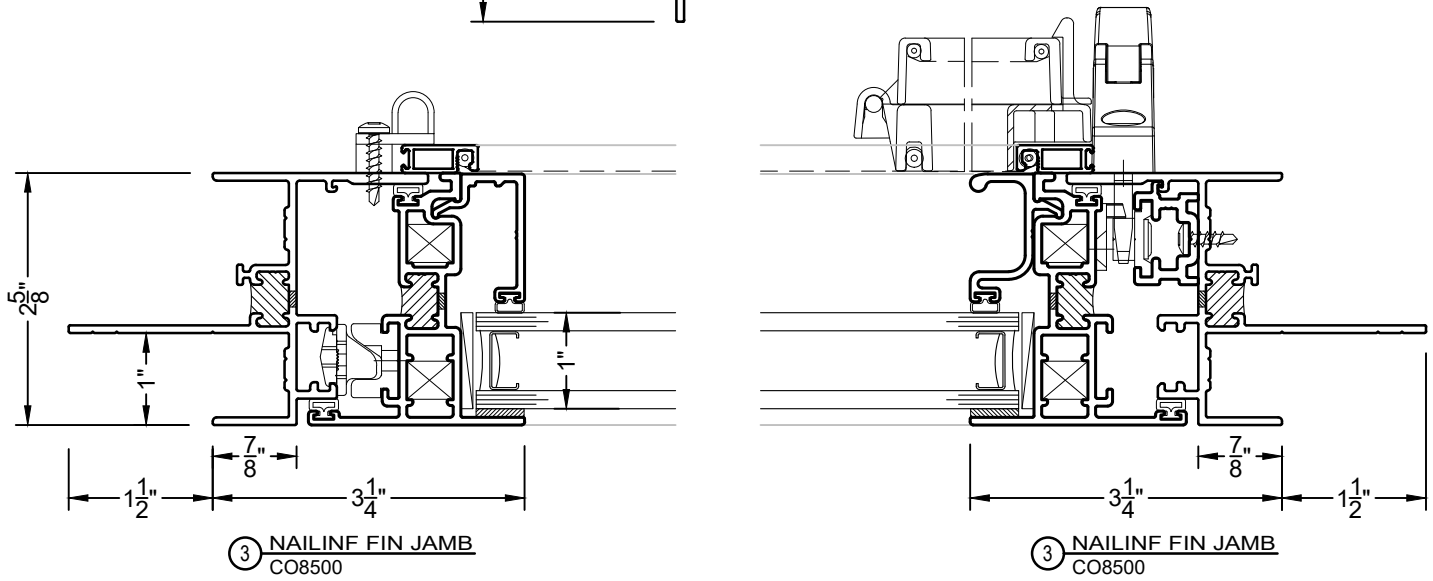
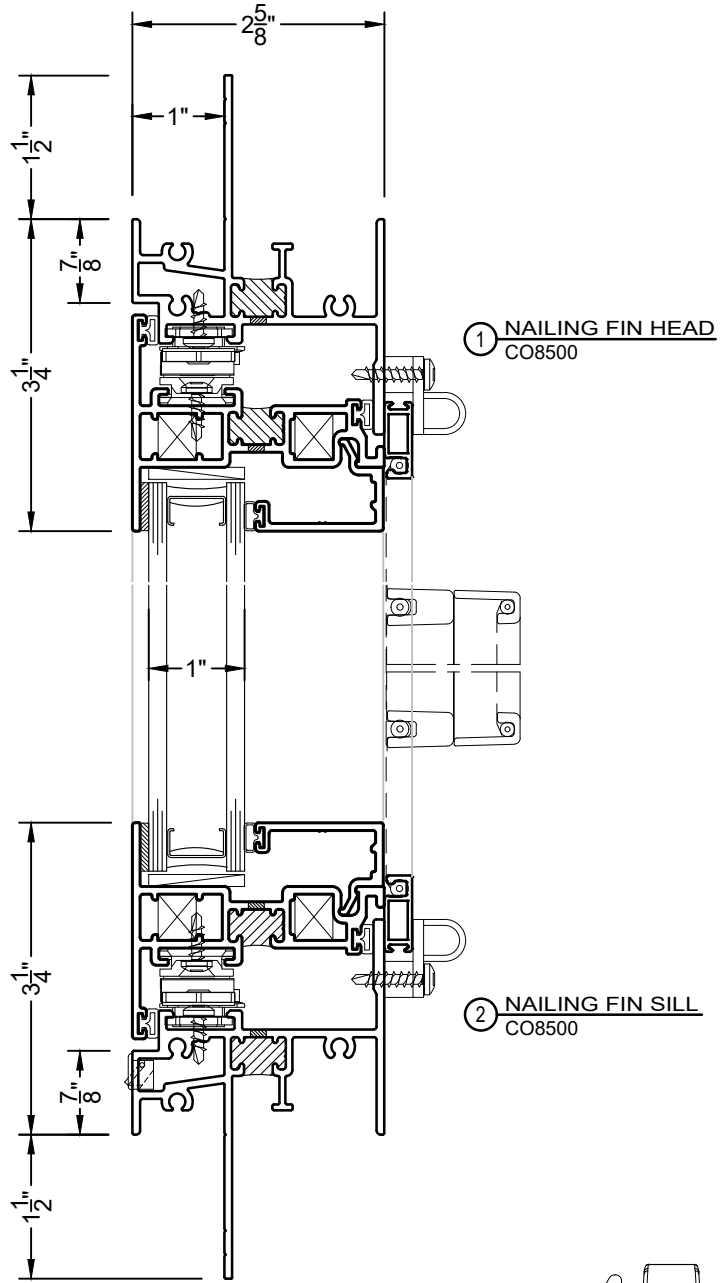


PW8500-3V & PW8510-3V  
 WITH 3PC MULLION

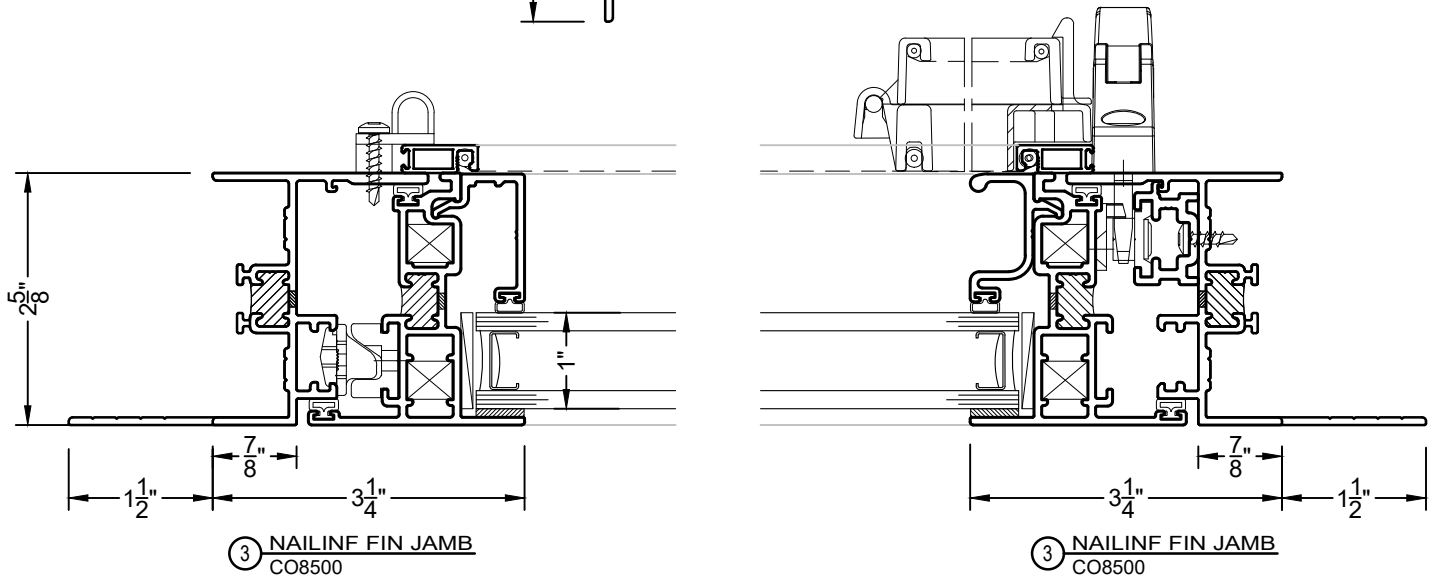
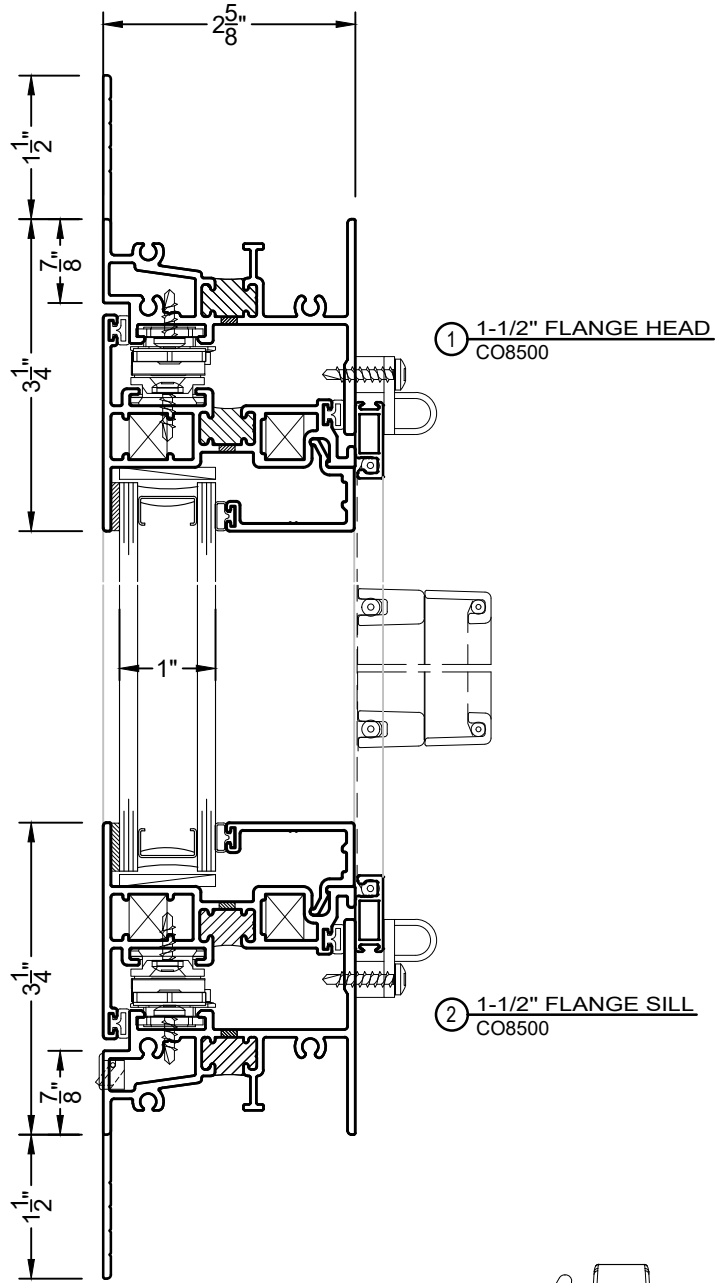


15 3PC MULLION  
 CO8500 & PW8510



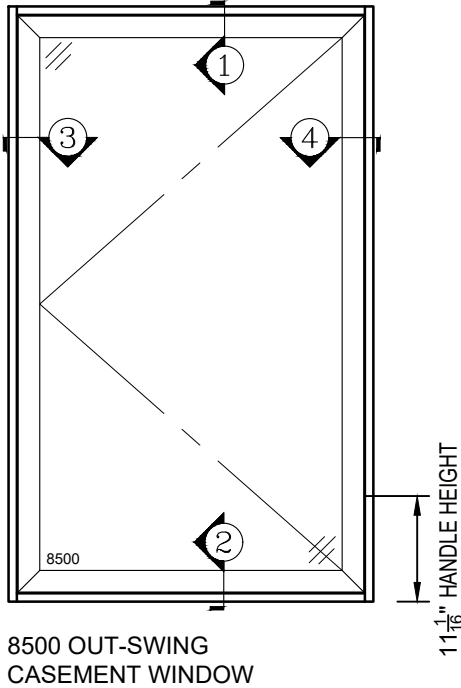


VER: 2020.03

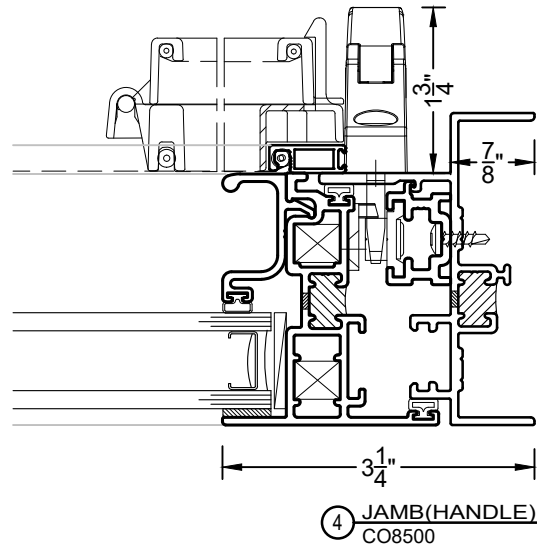
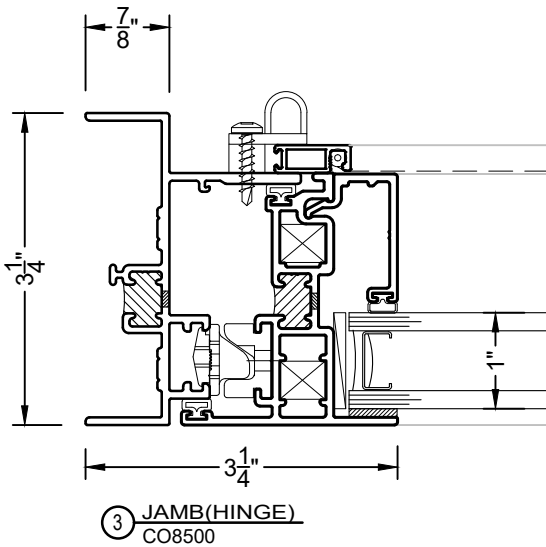
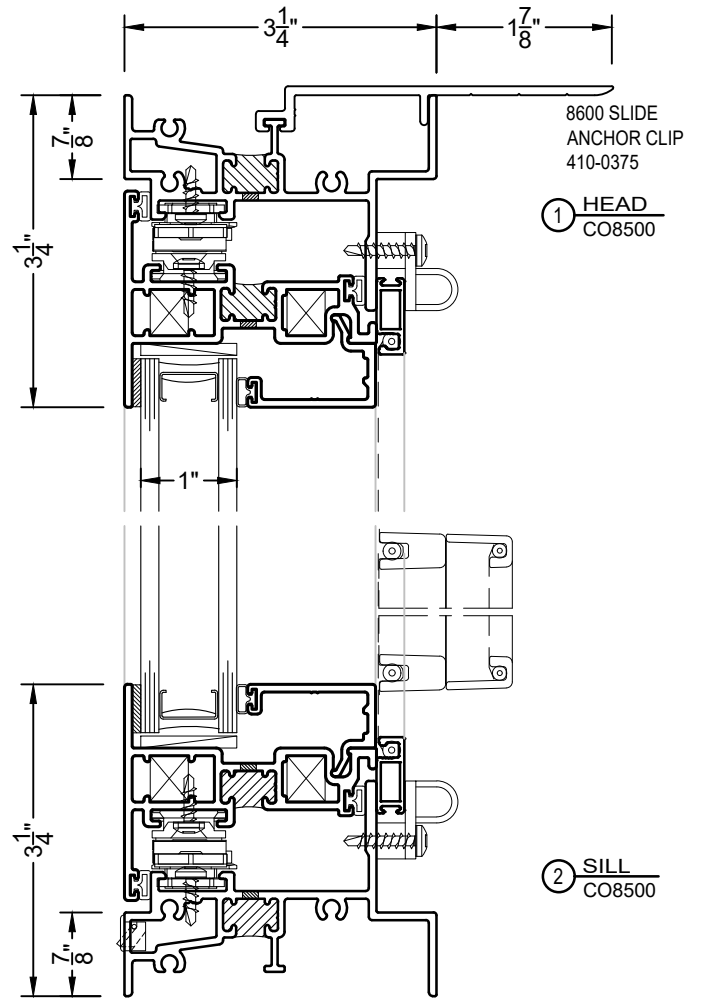


VER: 2020.03

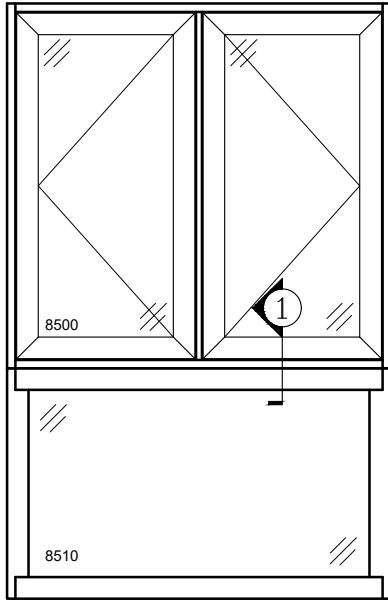
3 1/4" FRAME DEPTH



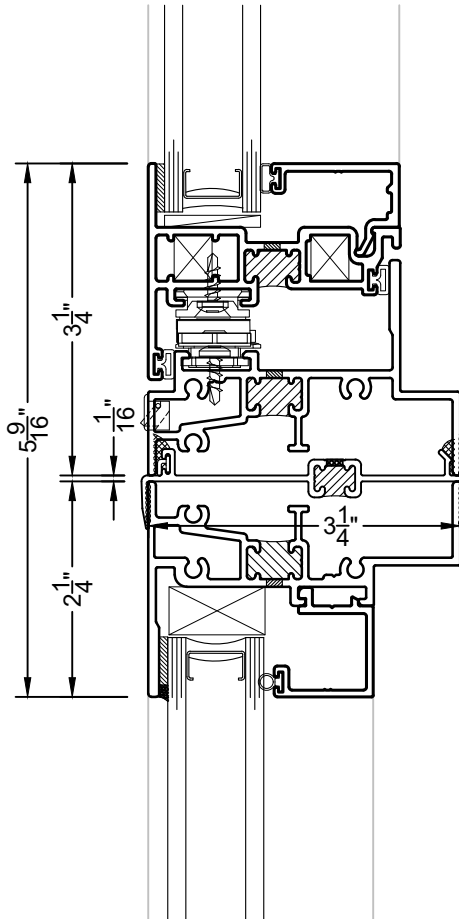
8500 OUT-SWING  
 CASEMENT WINDOW



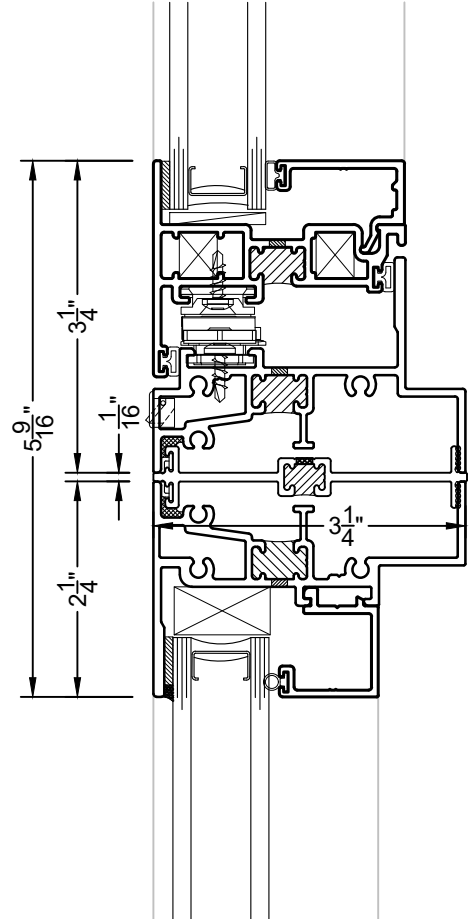
VER: 2020.03



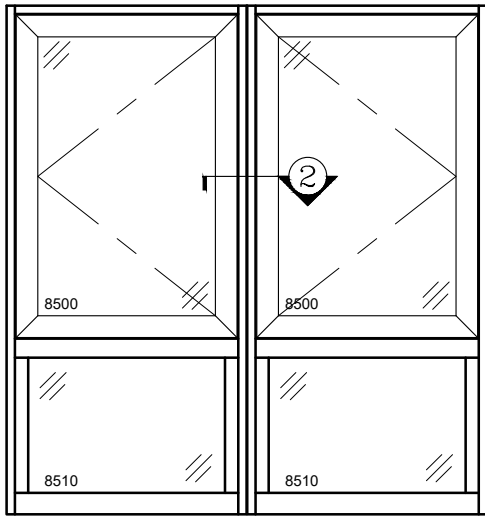
CO8500-2H OVER PW8510



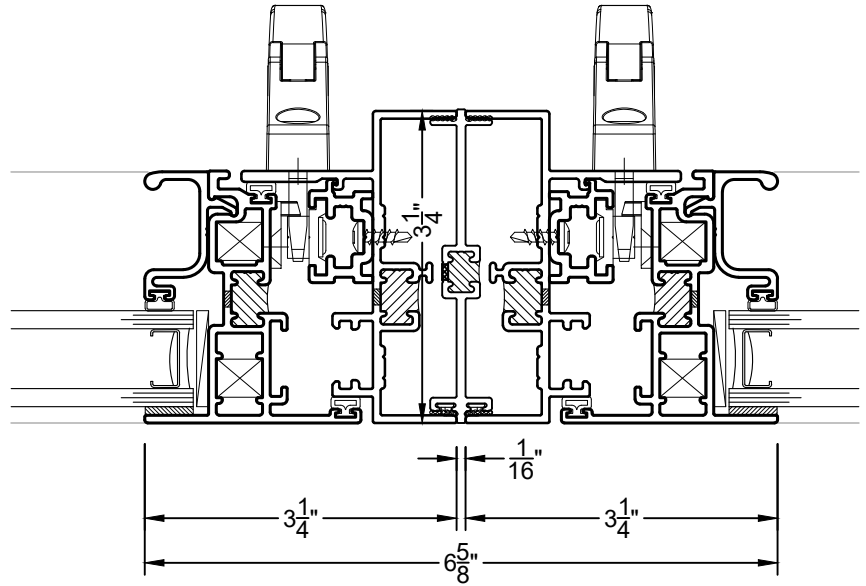
① STACK MULLION  
 CO8500 OVER PW8510



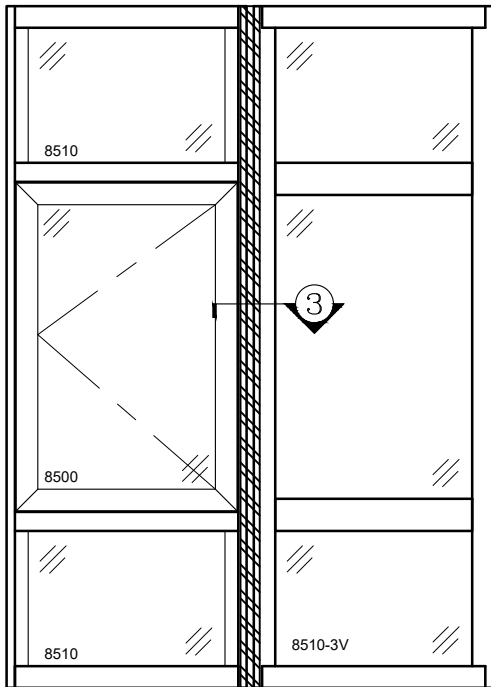
①A H MULLION  
 CO8500 OVER PW8510



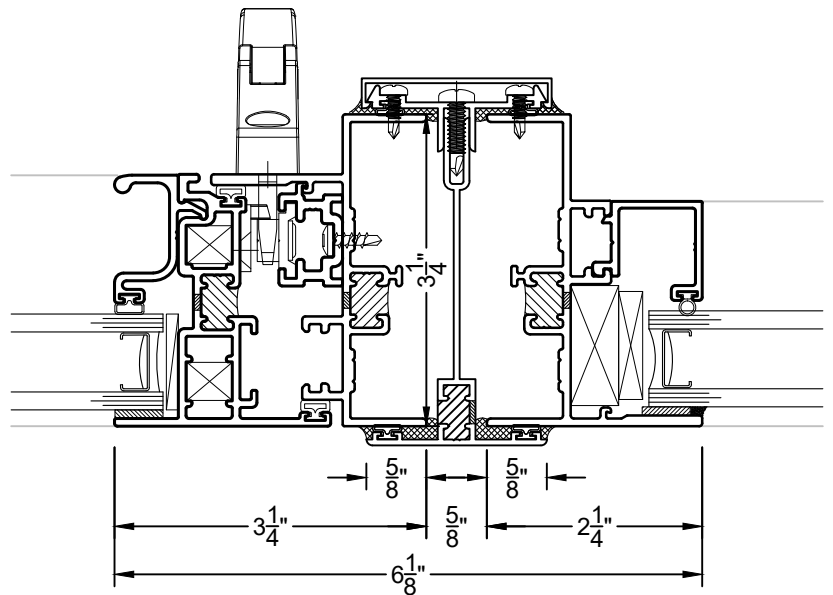
CO8500-2V & PW8500-2V WITH H MULLION



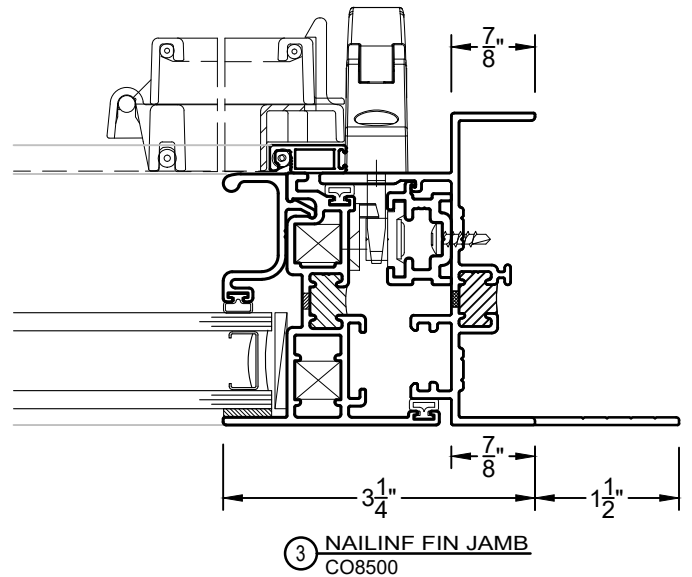
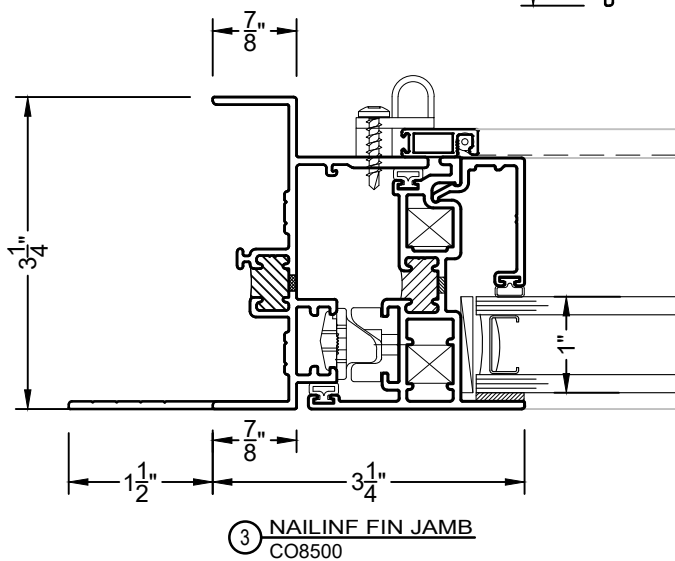
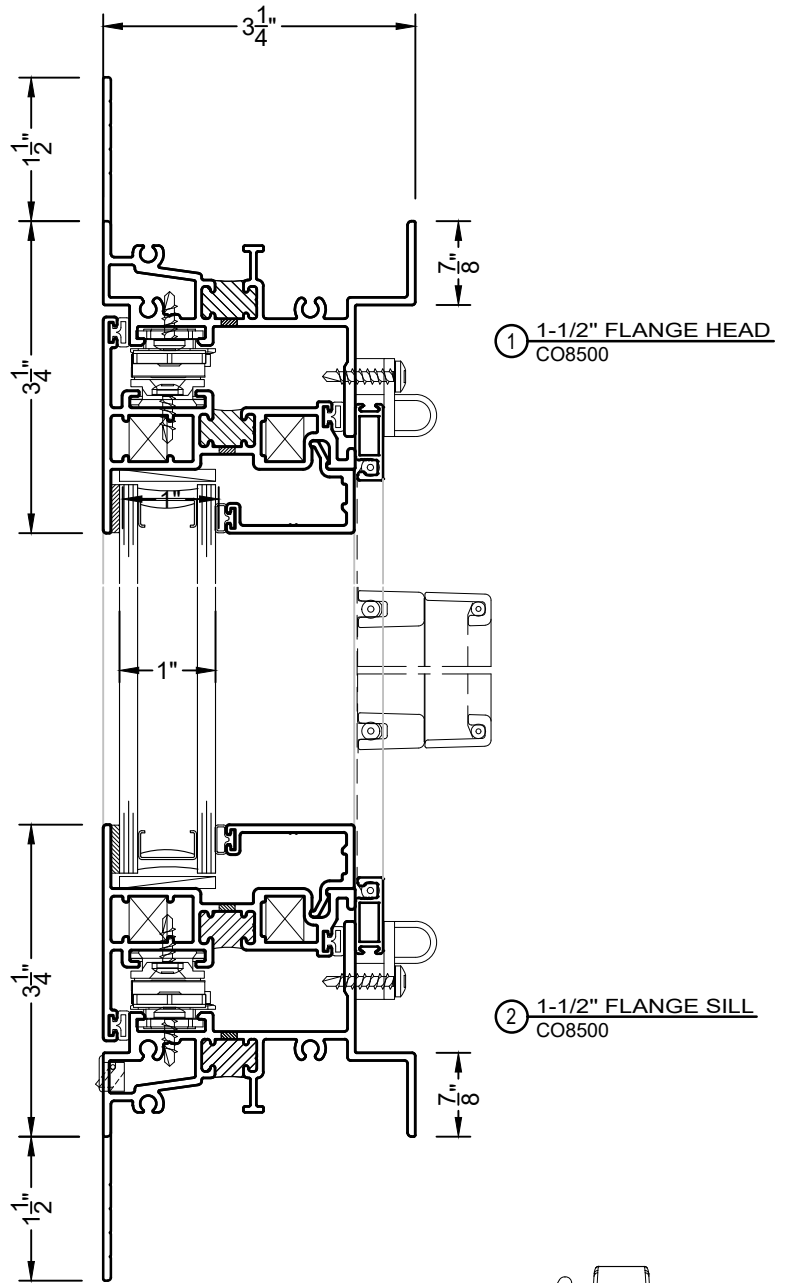
② H MULLION  
 CO8500 & CO8500



CO8500-3V & PW8510-3V  
 WITH 3PC MULLION

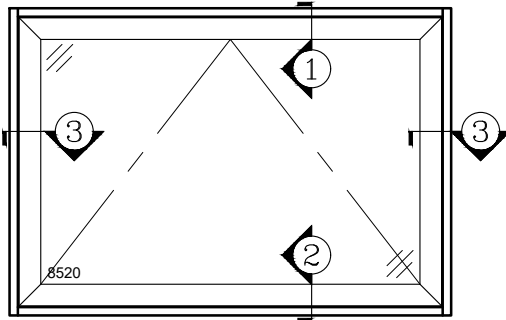


③ 3PC MULLION  
 CO8500 & PW8510

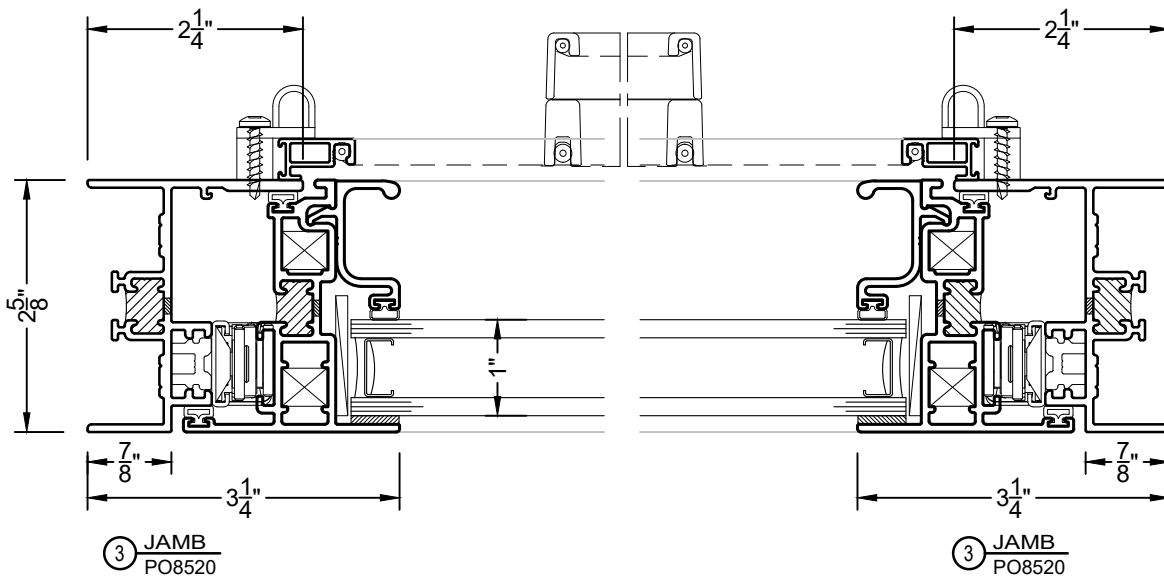
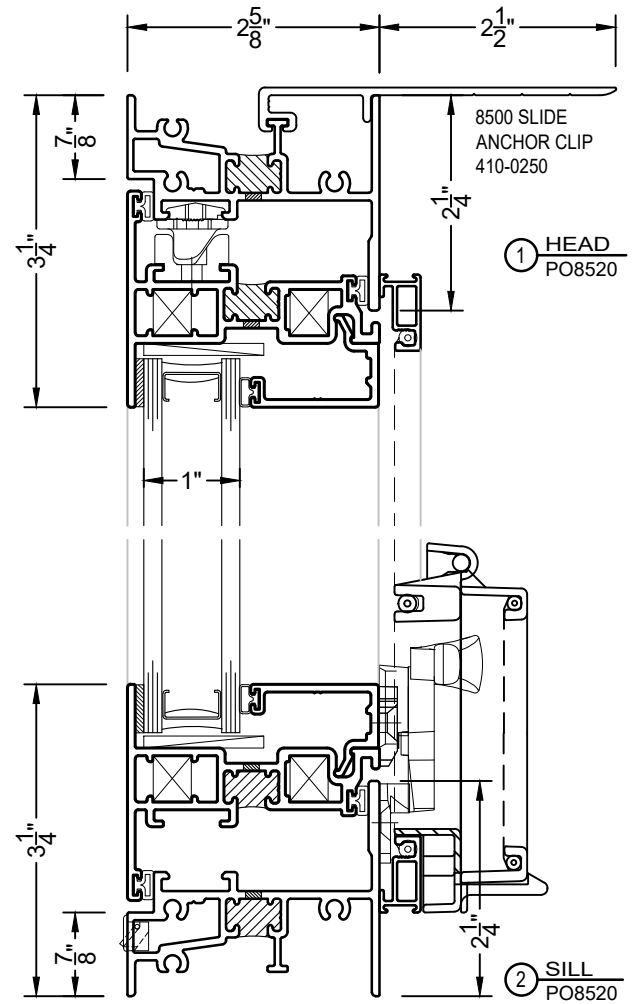


VER: 2020.03

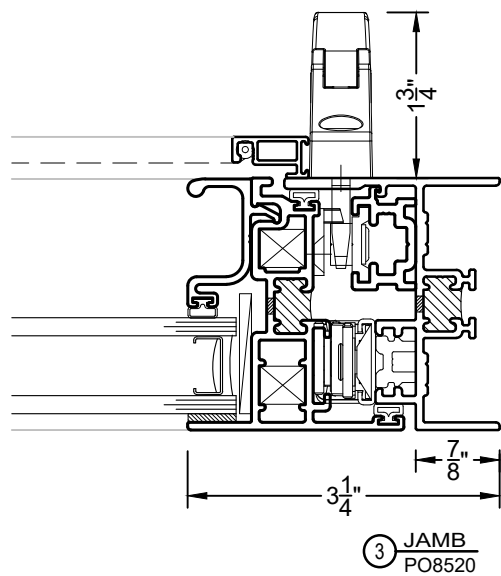
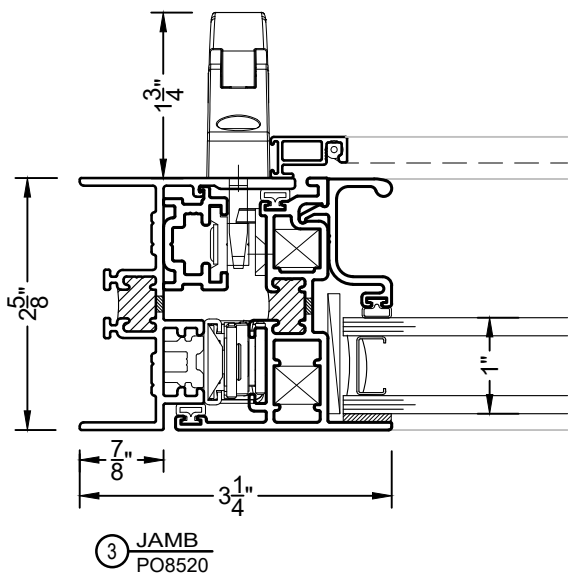
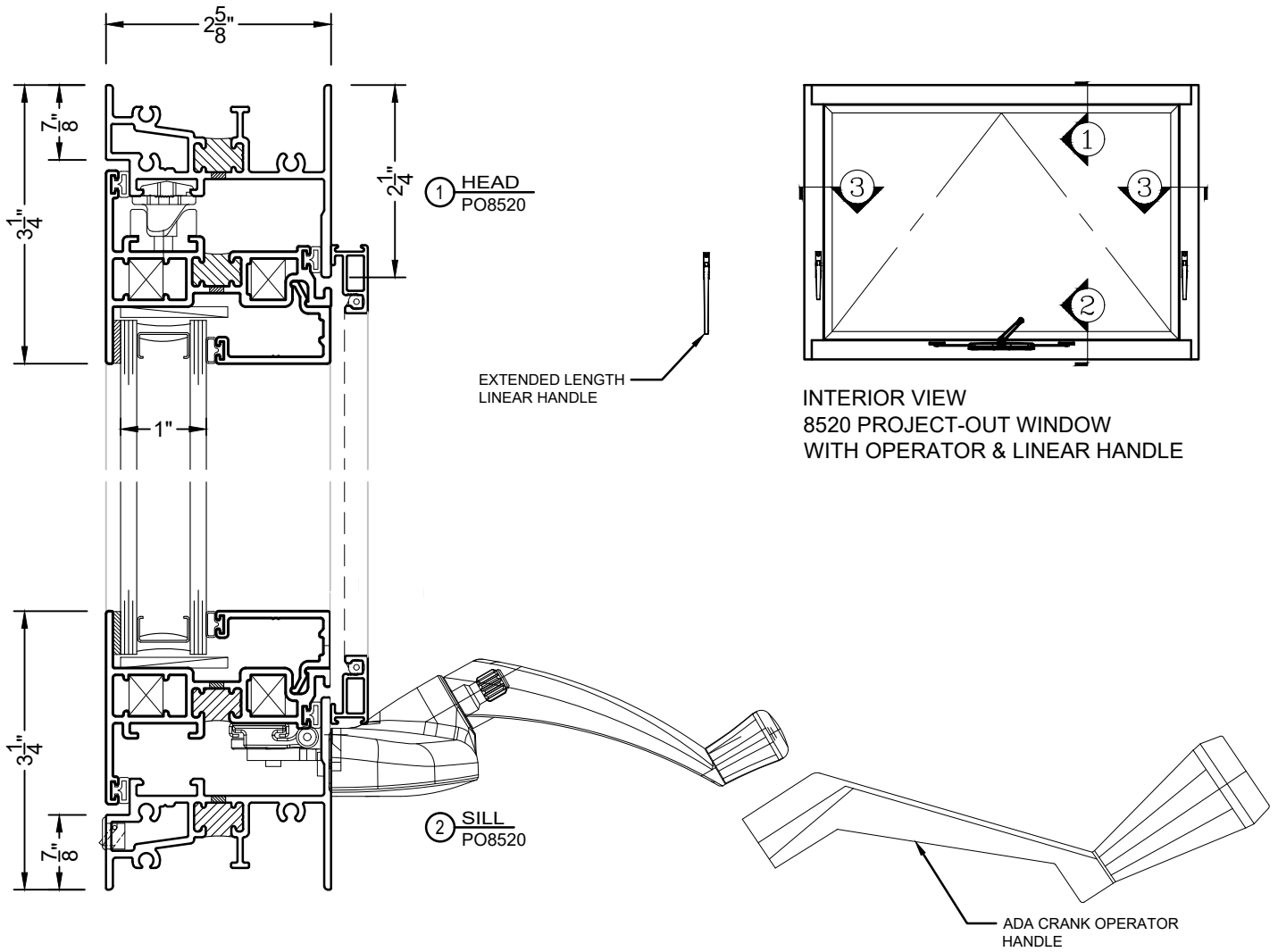
2<sup>5</sup>/<sub>8</sub>" FRAME DEPTH



8520 PROJECT-OUT WINDOW

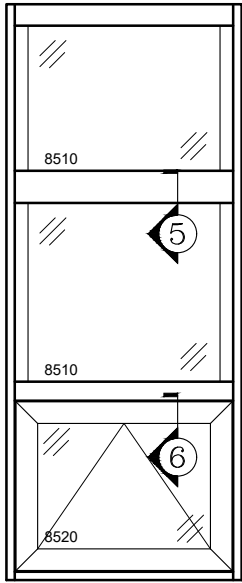


VER: 2020.03

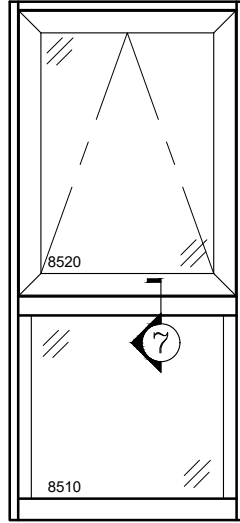


VER: 2020.03

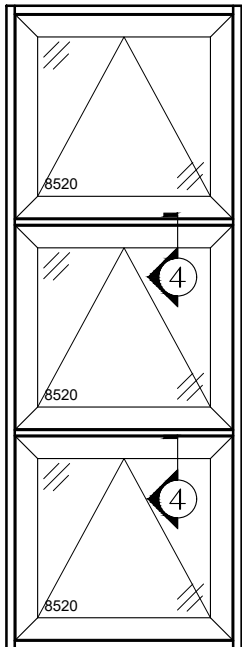
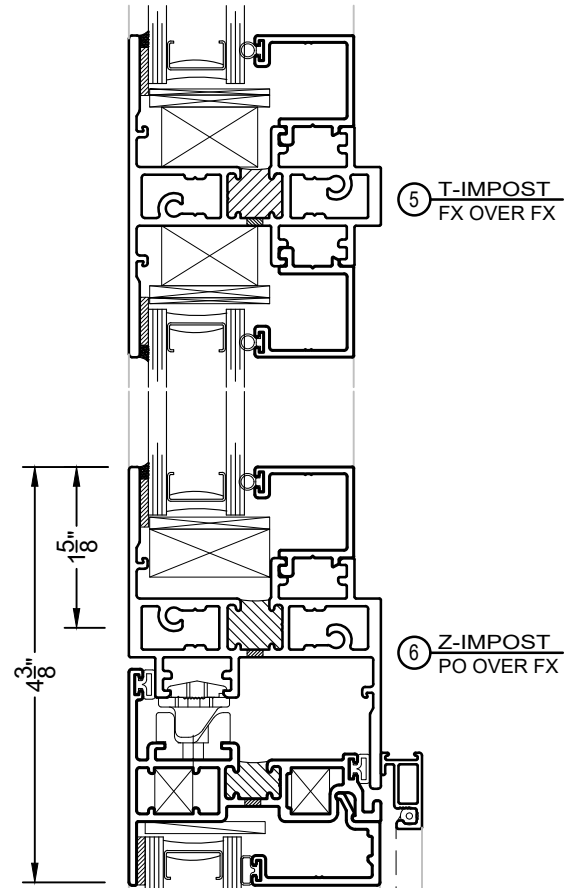




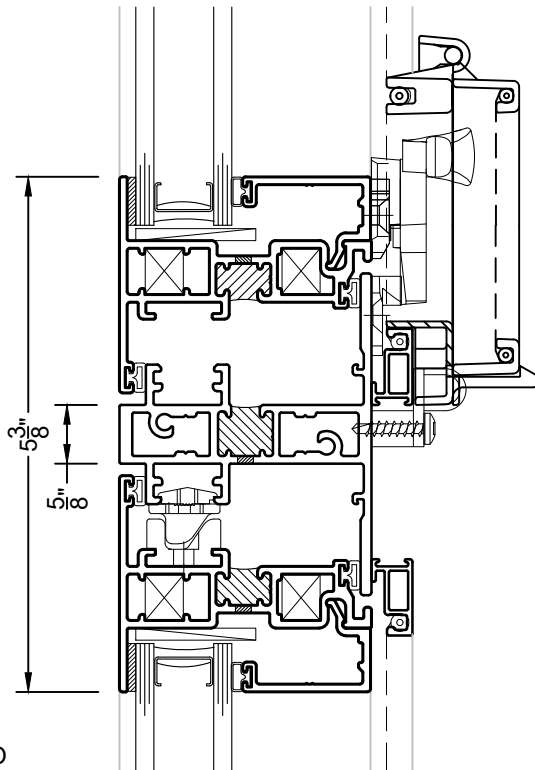
PO8520-3V  
 FX OVER FX OVER PO



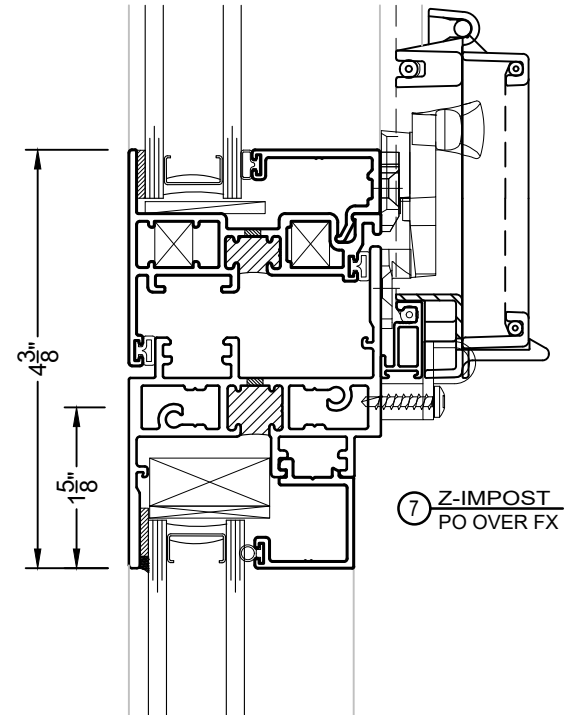
PO8520-2V PO OVER FX



PO8520-3V  
 PO OVER PO OVER PO

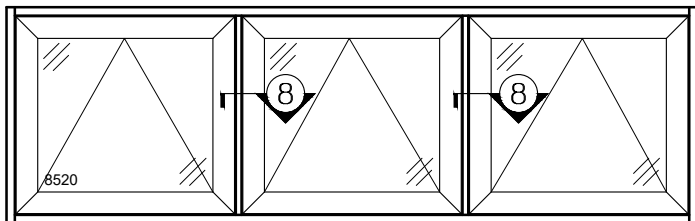


4 T-IMPOST  
 PO OVER PO

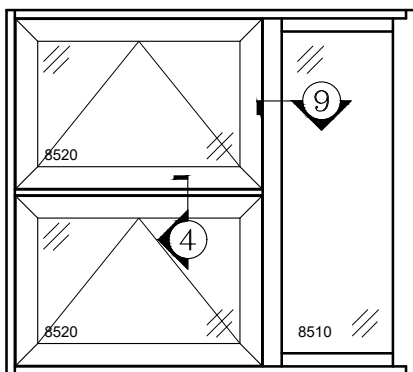


7 Z-IMPOST  
 PO OVER FX

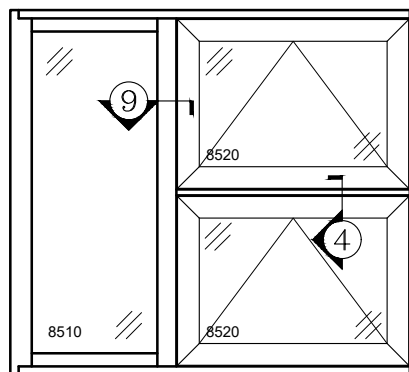
VER: 2020.03



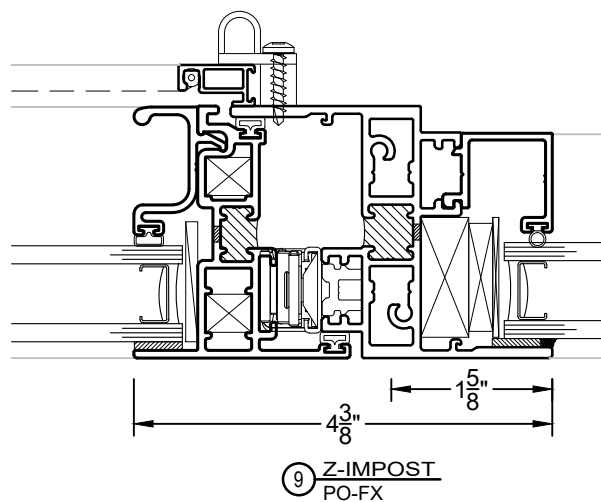
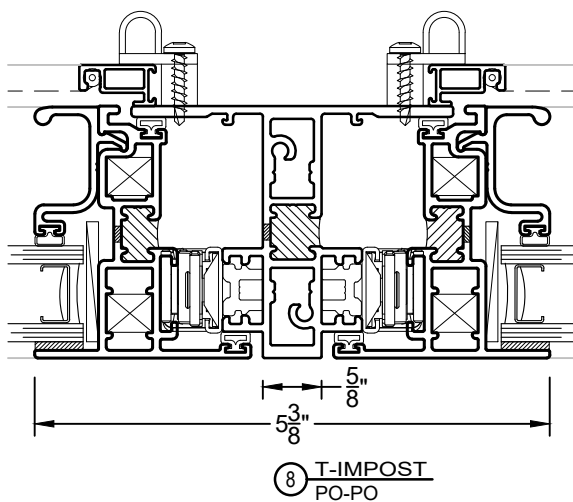
PO8520-2H PO & PO & PO

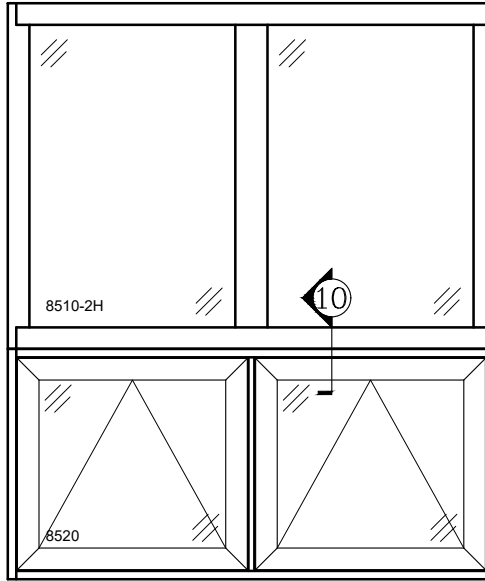


8520 THREE LITE  
 PO OVER PO & FX

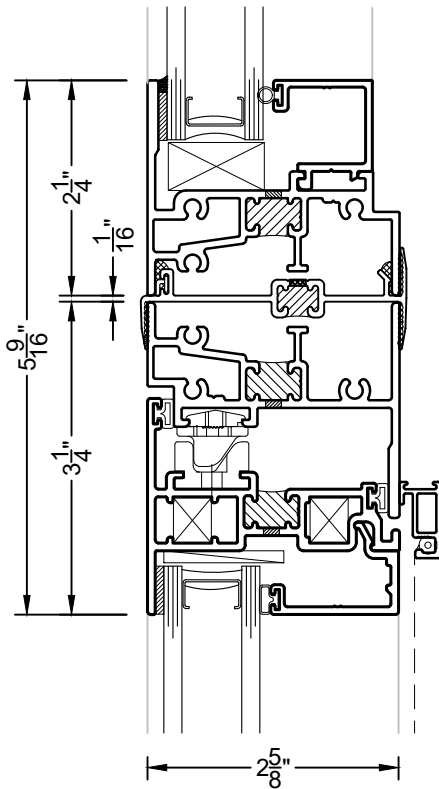


8520 THREE LITE  
 FX & PO OVER PO

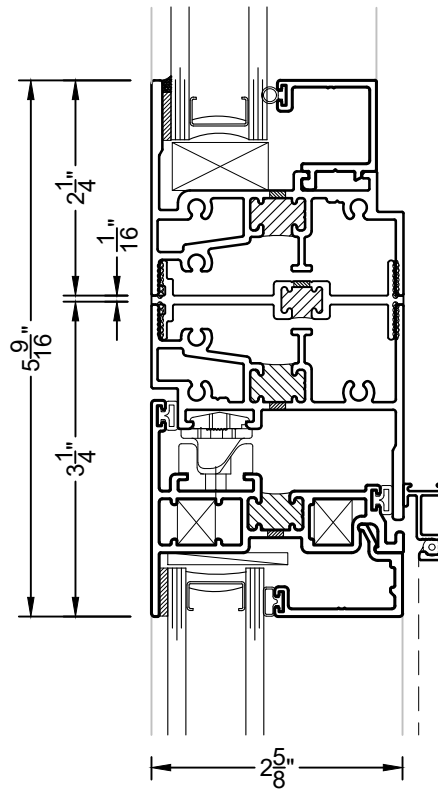




PW8510-2H OVER PO8520-2H

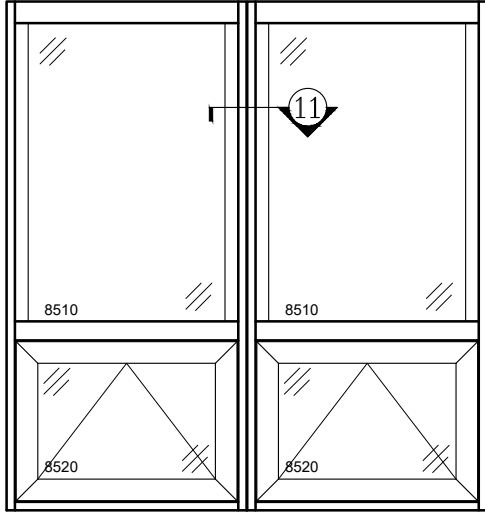


⑩ STACK MULLION  
 PW8510 OVER PO8520

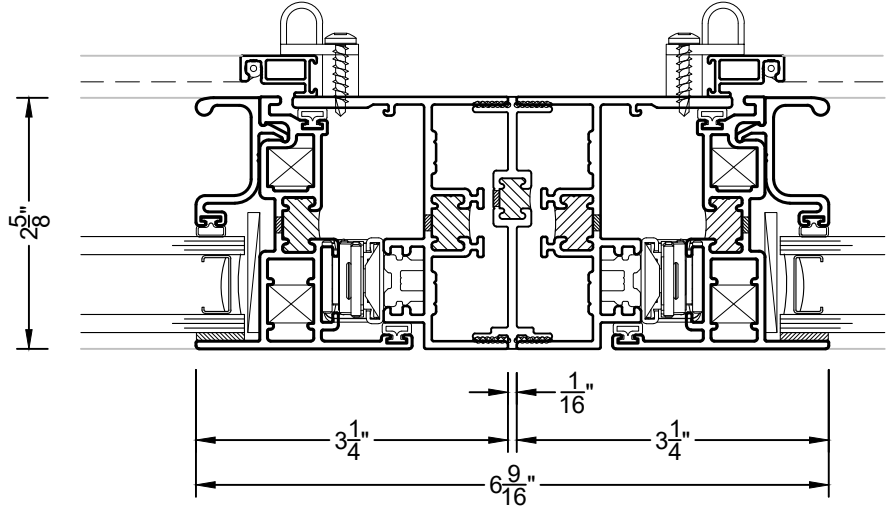


⑩A H MULLION  
 PW8510 OVER PO8520

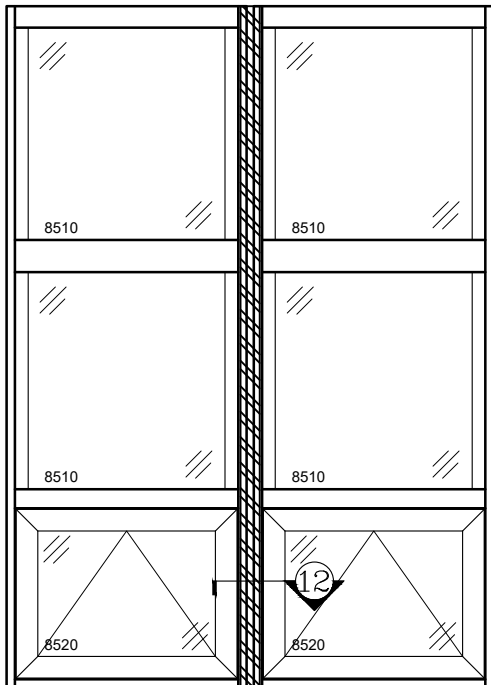
VER: 2020.03



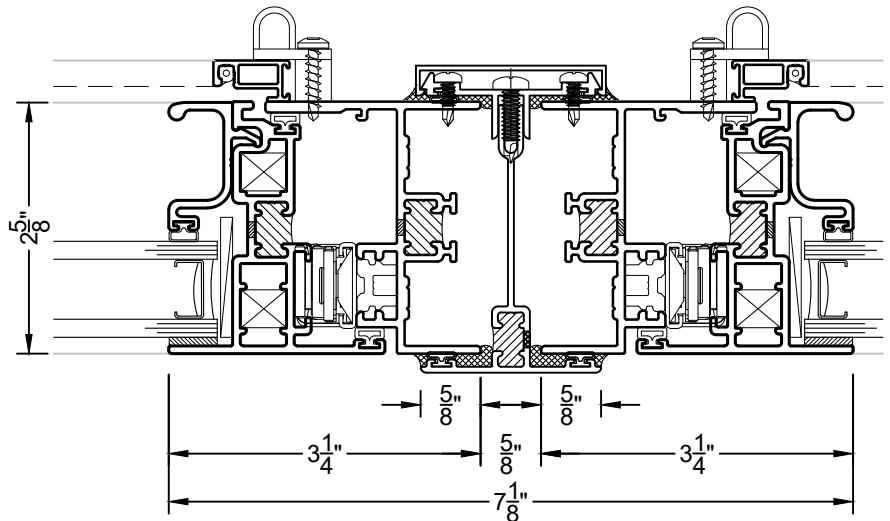
PO8520-2V & PO8520-2V WITH H MULLION



① H MULLION  
 PO8520 & PO8520

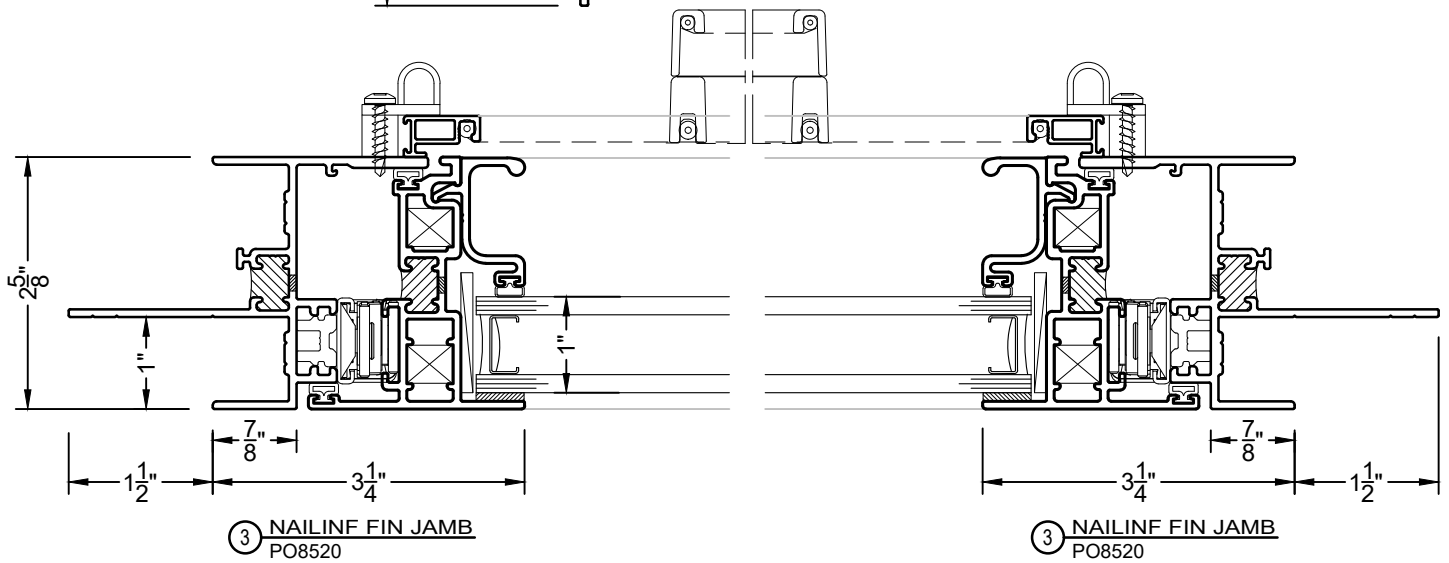
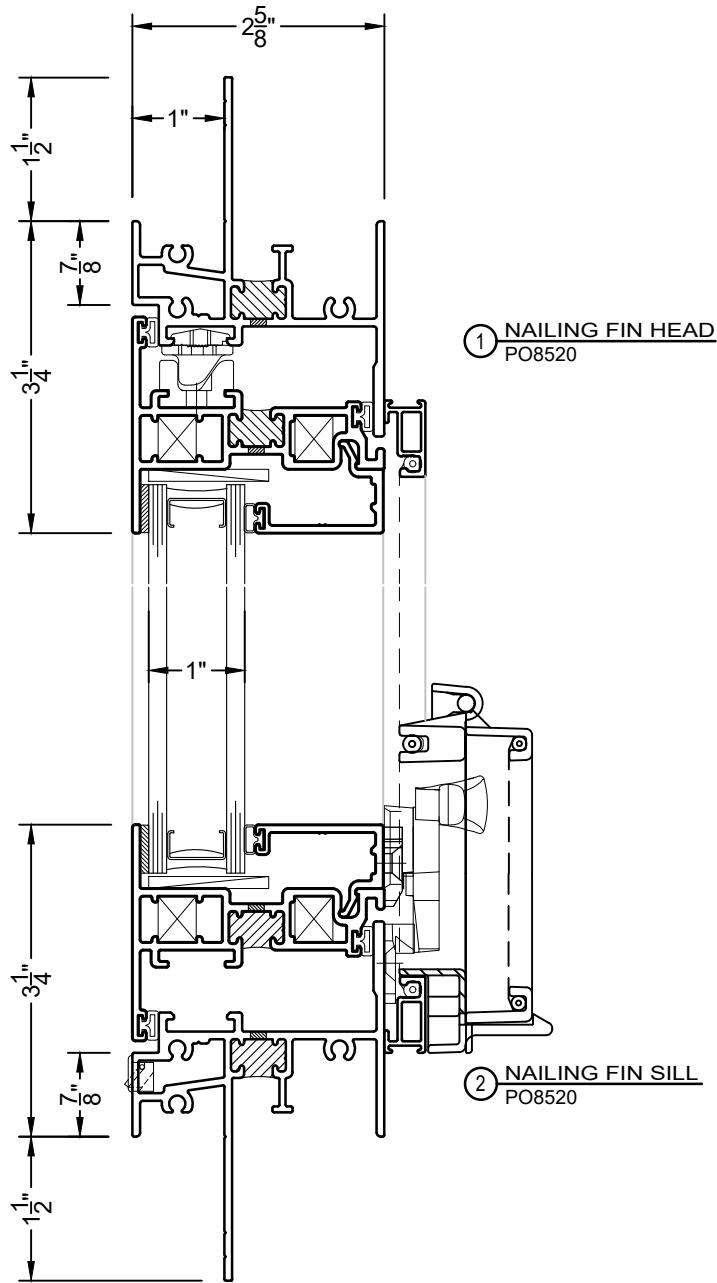


PO8520-3V & PO8520-3V  
 WITH 3PC MULLION

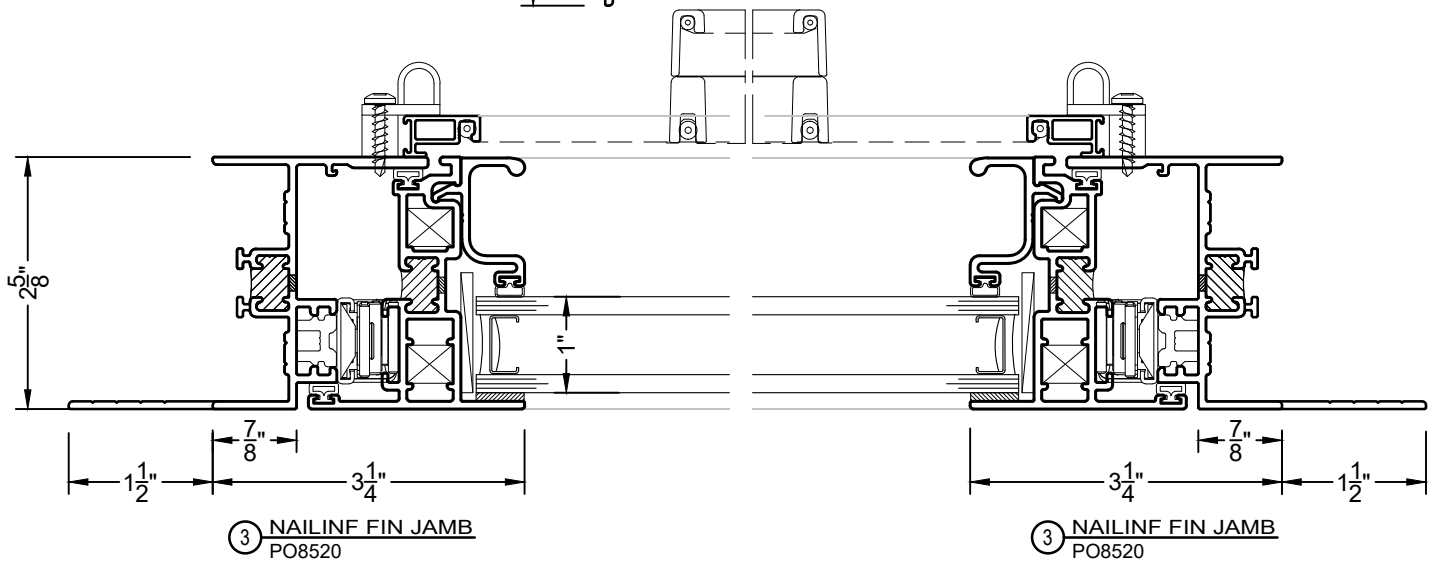
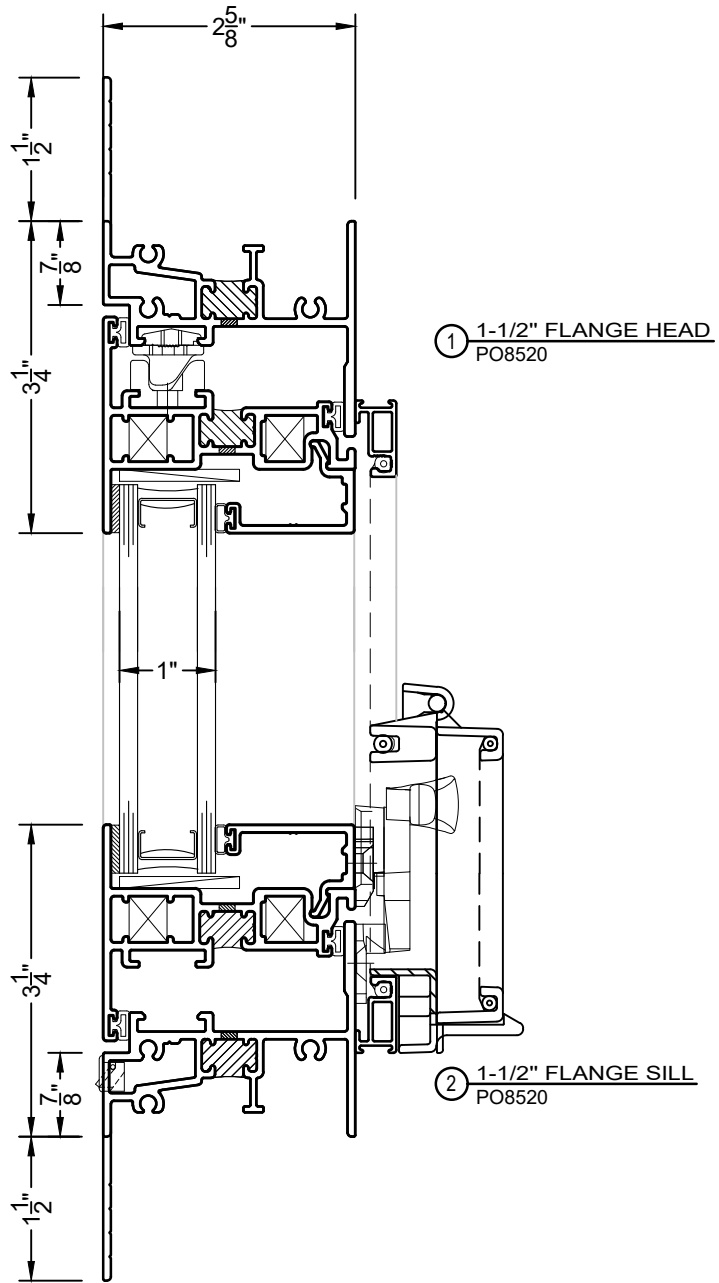


② 3PC MULLION  
 PO8520 & PO8520

VER: 2020.03

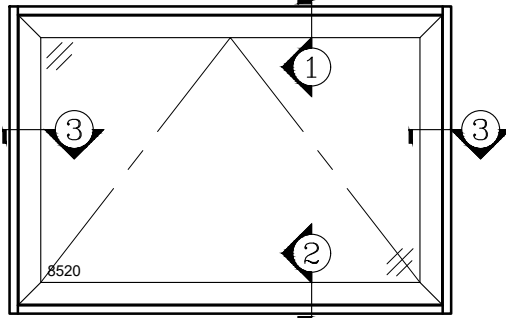


VER: 2020.03

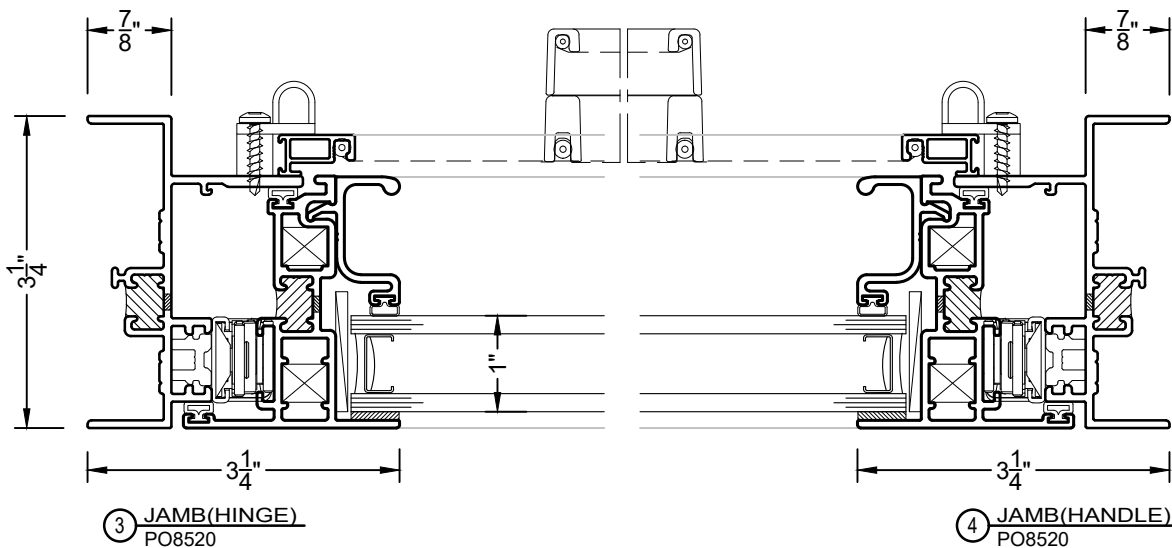
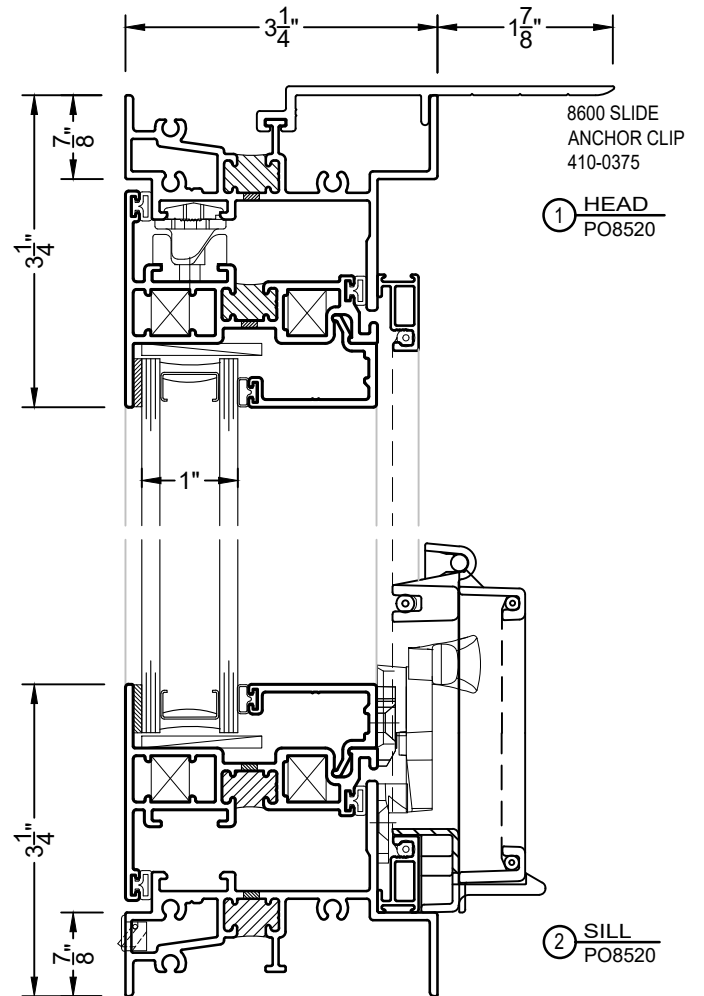


VER: 2020.03

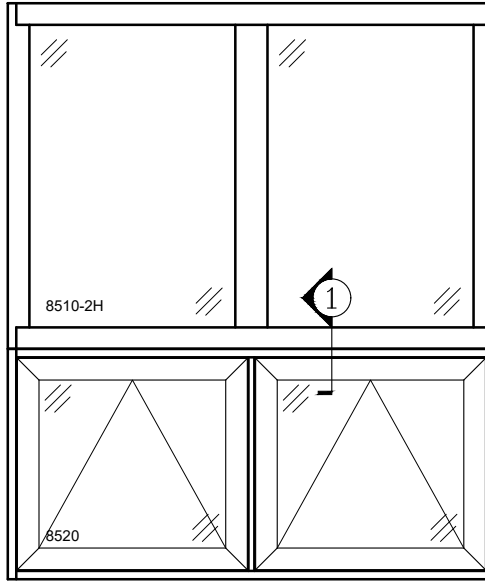
3 1/4" FRAME DEPTH



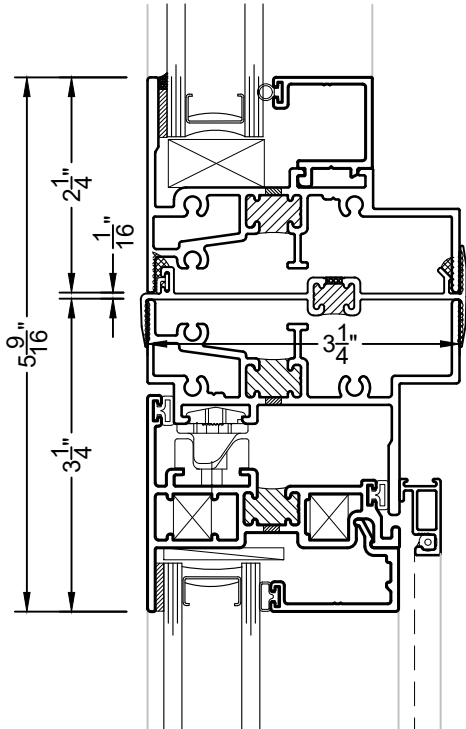
8520 OUT-SWING CASEMENT WINDOW



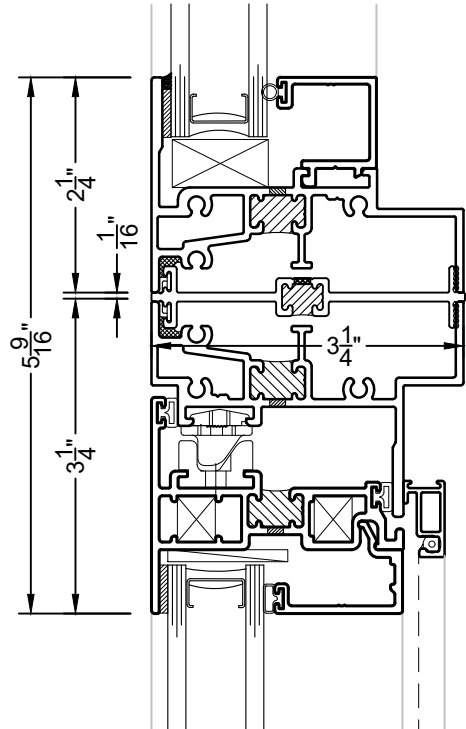
VER: 2020.03



PW8510-2H OVER PO8520-2H



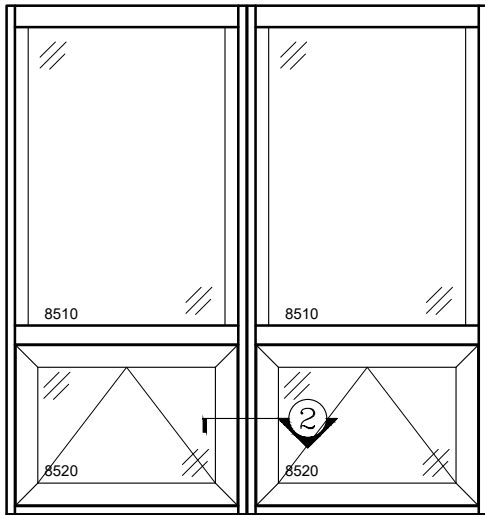
① STACK MULLION  
 PW8510 OVER PO8520



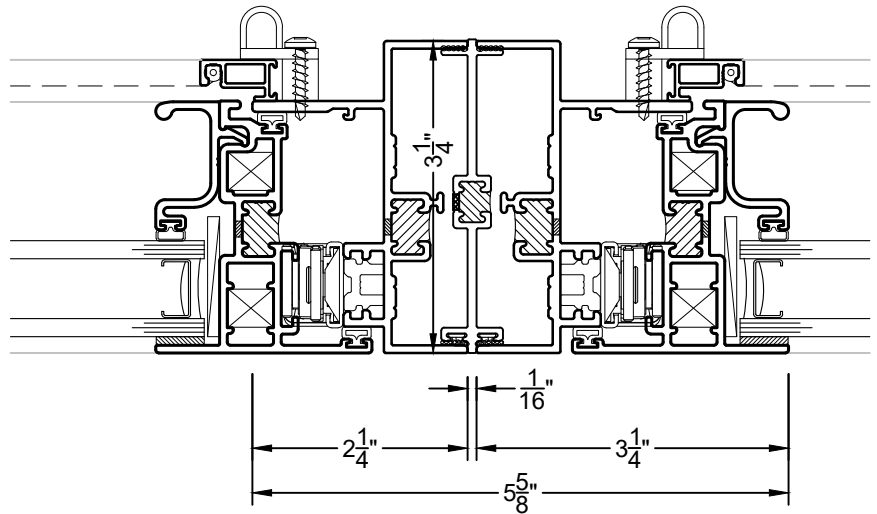
①A H MULLION  
 PW8510 OVER PO8520

VER: 2020.03

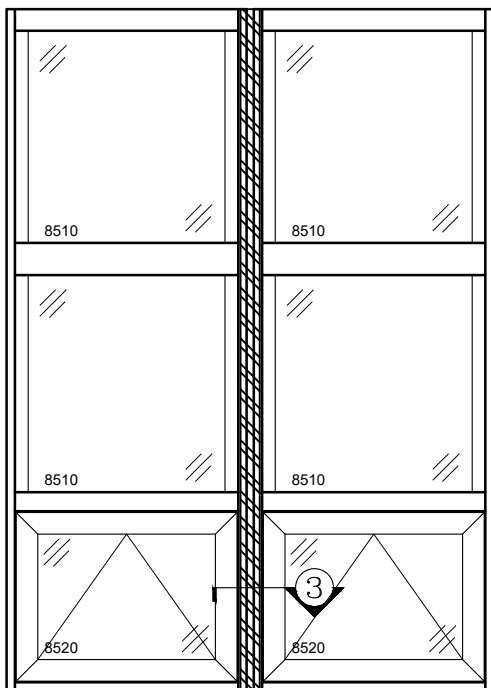




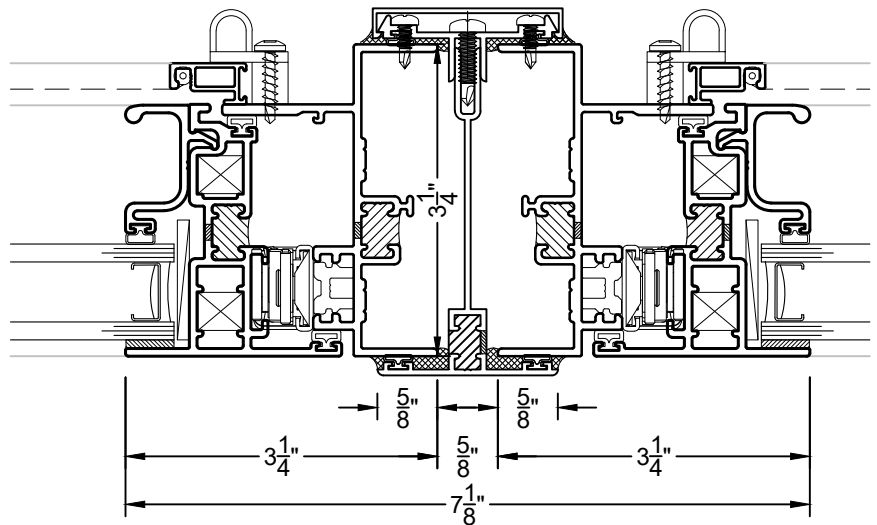
PO8520-2V & PO8520-2V WITH H MULLION



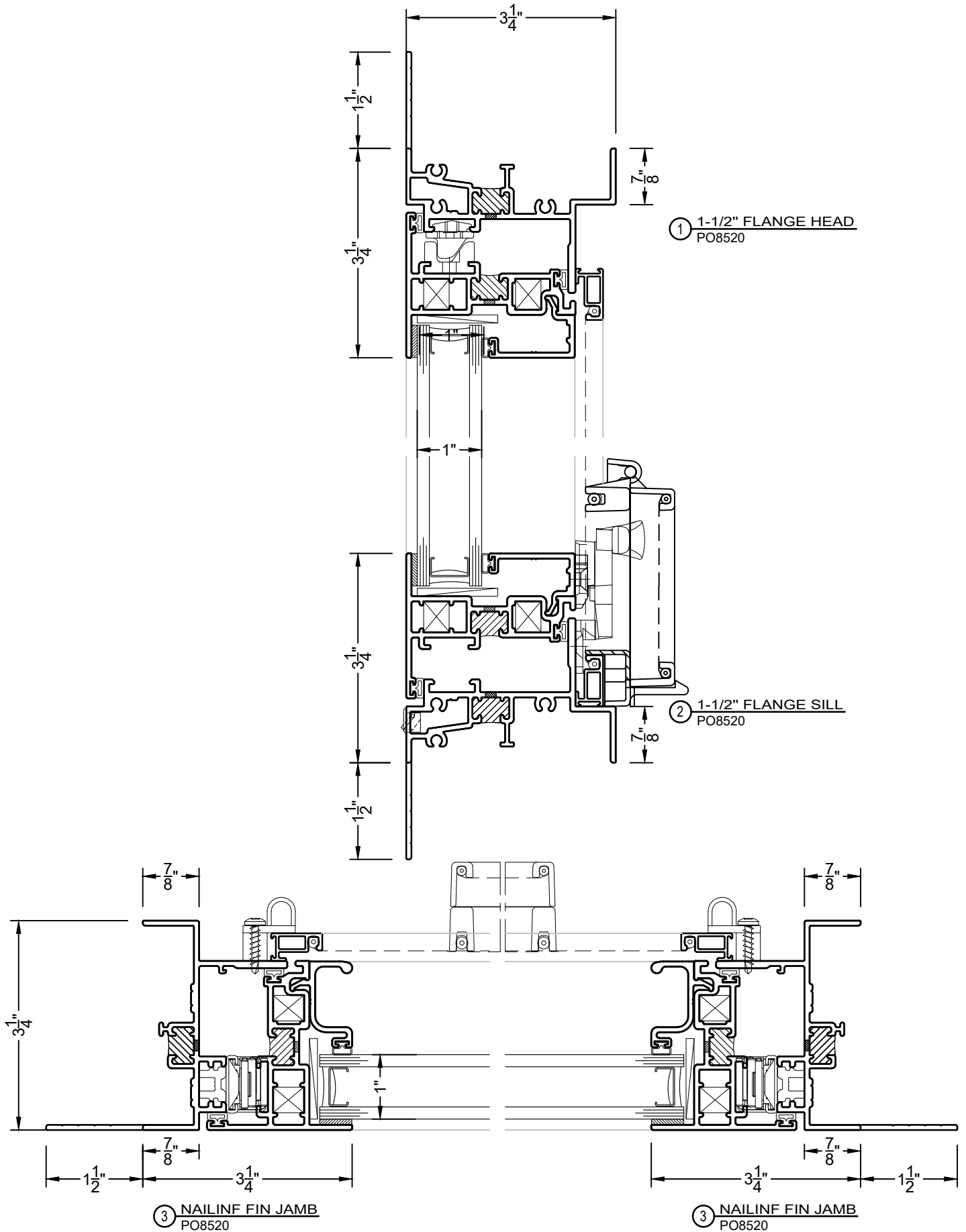
② H MULLION  
 PO8520 & PO8520



PO8520-3V & PO8510-3V  
 WITH 3PC MULLION



③ 3PC MULLION  
 PO8520 & PO8520



VER: 2020.03