

VINYL SERIES 1500 4⁵/₈" SLIDING DOOR

TEST SIZE W x H	AAMA RATING	AIR INFILTRATION	DESIGN PRESSURE	WATER RESISTANCE	U-VALUE	SHGC	VT
86.75" x 82.75"	LC-PG35	≤0.30 cfm/ft ²	35 psf	5.25 psf	0.28-0.46	0.19-0.59	0.36-0.63



TABLE OF CONTENT

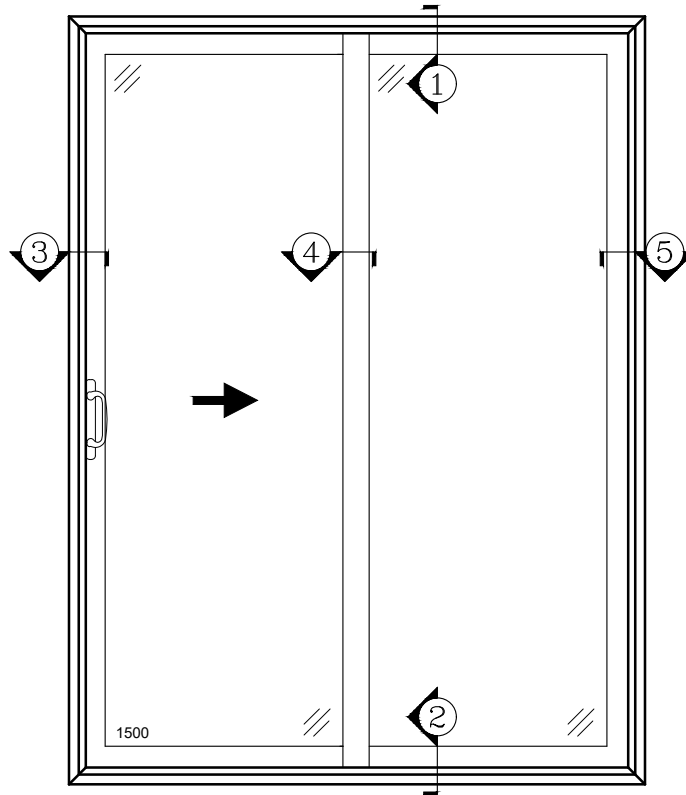
- INTRODUCTION -P1
- SECTION DETAILS -P2-P3
- MULLION -P4-P5

FEATURES

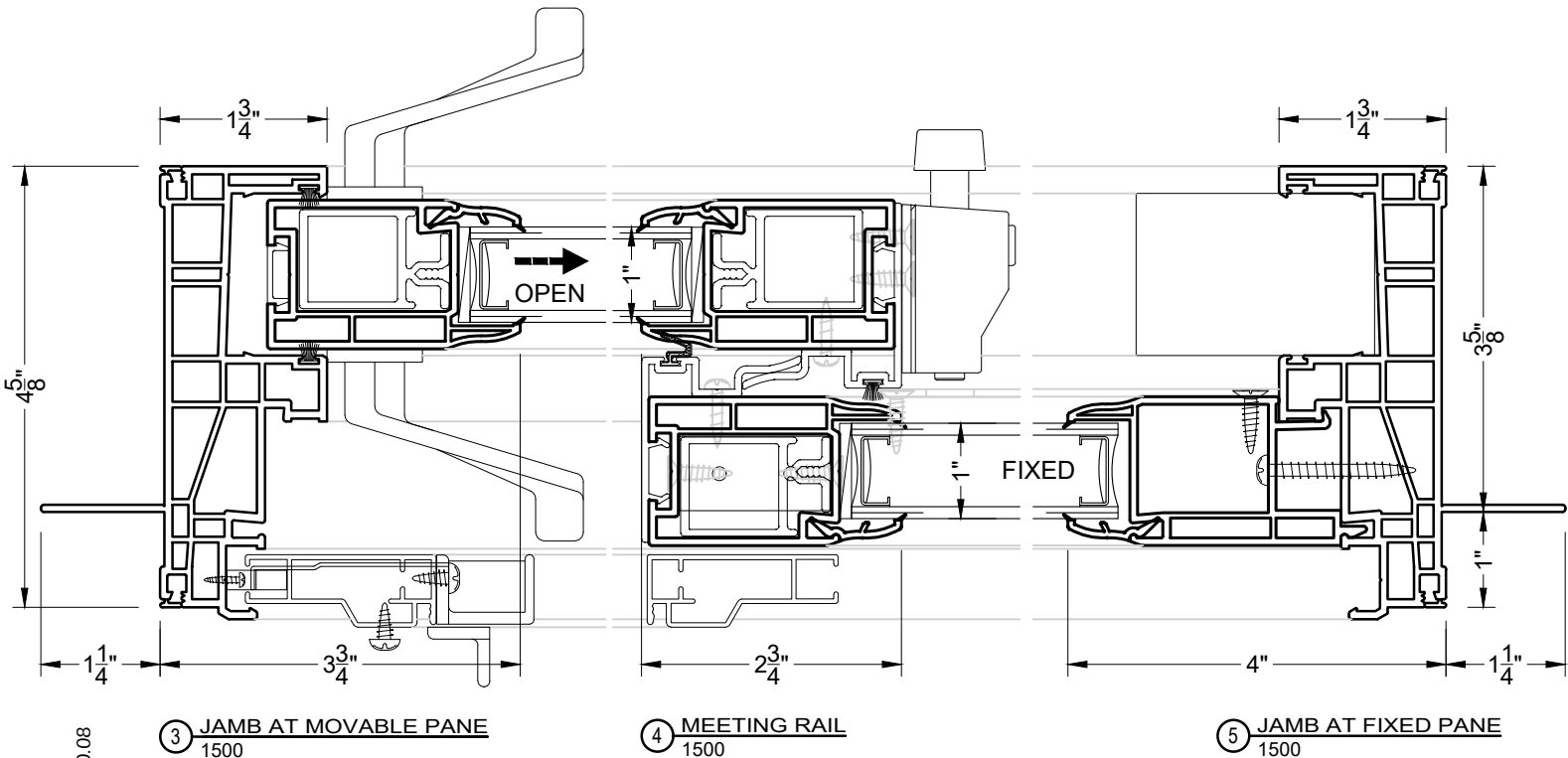
- 4-5/8" FRAME DEPTH
- 1" INSULATED GLASS
- DOUBLE STRENGTH TEMPERED GLASS PANES
- SOFT COAT LOW-E & ARGON
- ADJUSTABLE STEEL TANDEM ROLLERS
- DOUBLE WEATHER-STRIPPING
- FULLY INTERLOCK MEETING RAILS
- FIBERMESH LOCKING SCREEN

OPTIONAL SELECTIONS

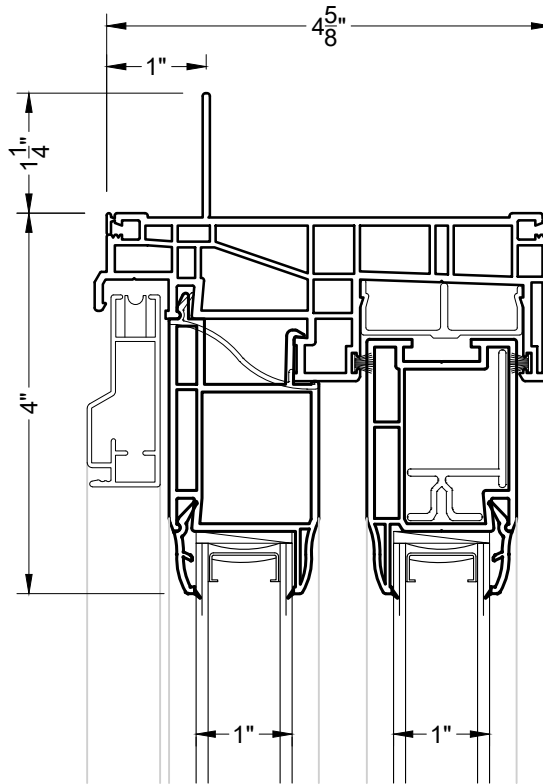
- BETWEEN THE GLASS & APPLIED GRID
- CUSTOM COLORS AND FINISHES
- BRASS KEY LOCK AND FOOT LOCK
- MATCHING TRANSOM/ SIDE LITE AND
- CIRCLE-TOP UNITS



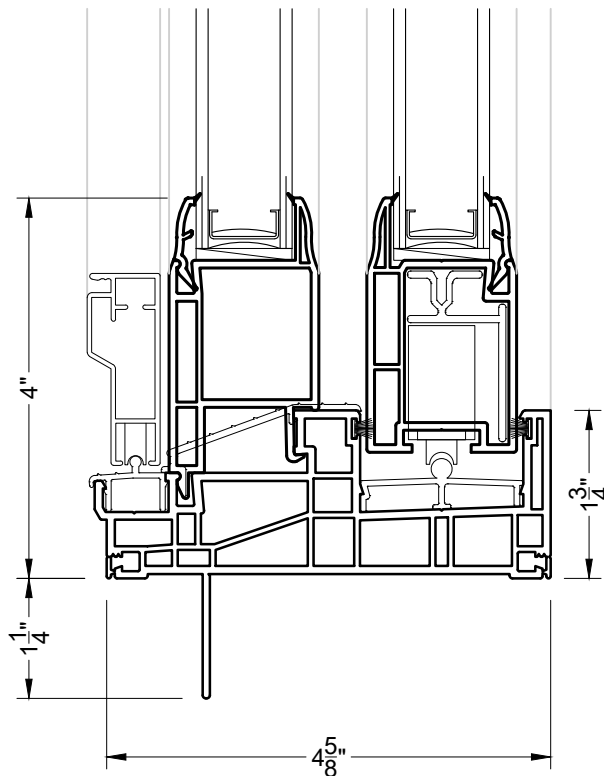
1500 X-O SLIDING DOOR



VER: 2020.08

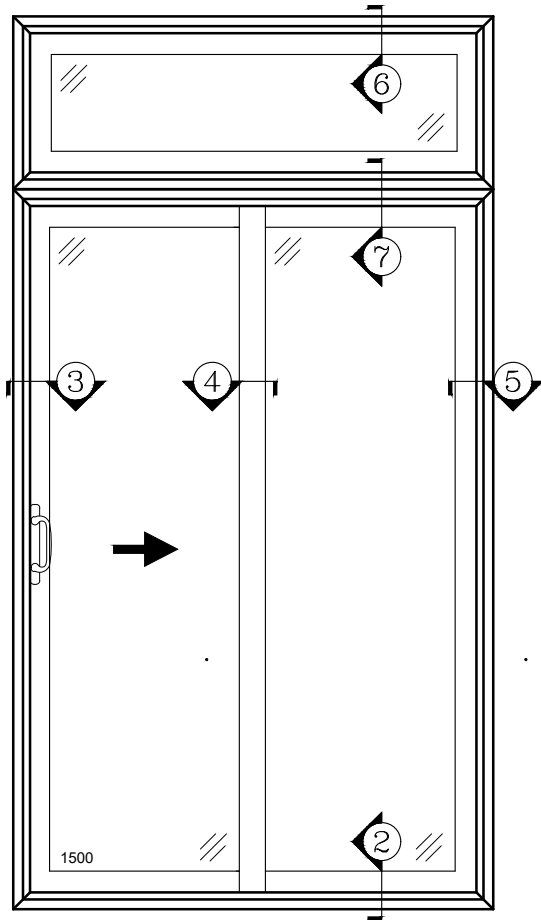


① HEAD
1500

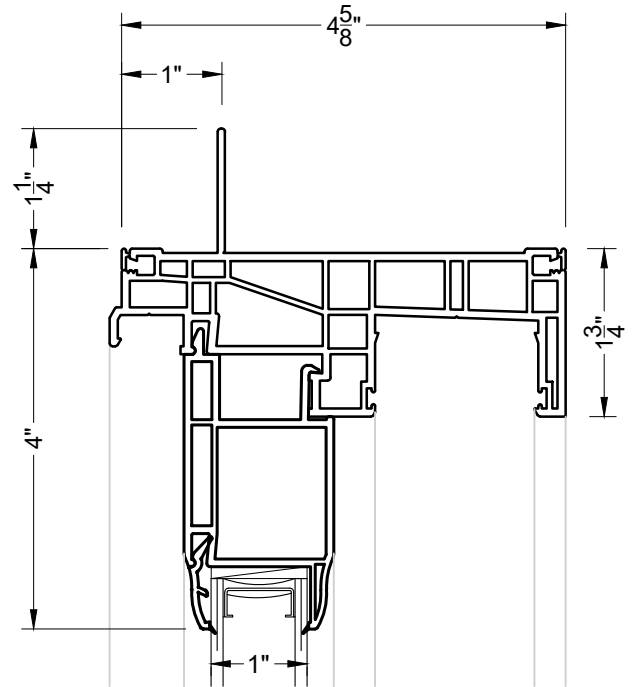


② SILL
1500

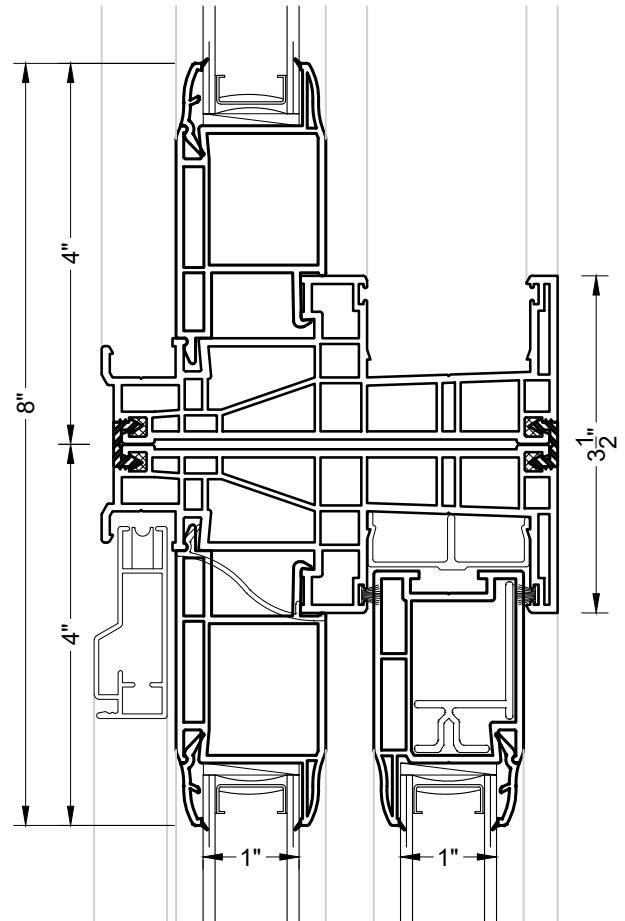
VER: 2020.08



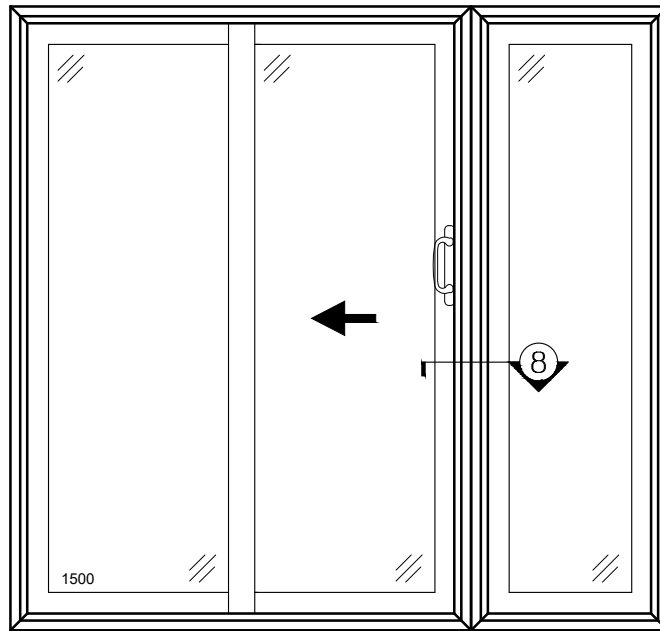
1500 X-O SLIDING DOOR W/ TRANSOM



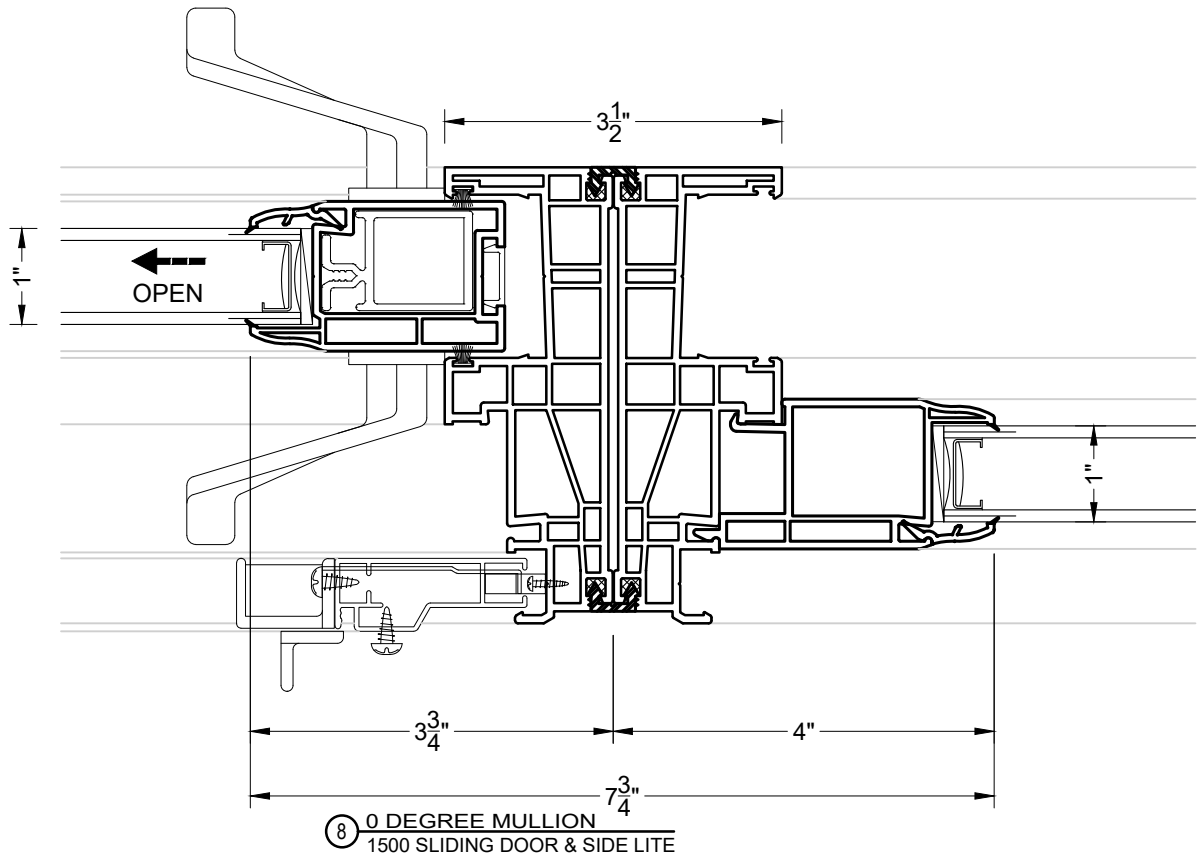
⑥ HEAD
 1500 TRANSOM



⑦ 0 DEGREE MULLION
 1500 TRANSOM OVER DOOR



1500 O-X SLIDING DOOR WITH SIDE LITE



VER: 2020.08