

SERIES 5600 SLIDING WINDOWS

TEST SIZE W x H	AAMA RATING	AIR INFILTRATION	DESIGN PRESSURE	WATER RESISTANCE	U-VALUE	SHGC	VT
99" x 79" (TWO LITE)	AW-PG40	≤0.30 cfm/ft ²	40 psf	8 psf	0.41-0.64	0.17-0.56	0.23-0.59
108" x 60" (THREE LITE)	AW-PG50	≤0.30 cfm/ft ²	50 psf	10 psf			



TABLE OF CONTENT

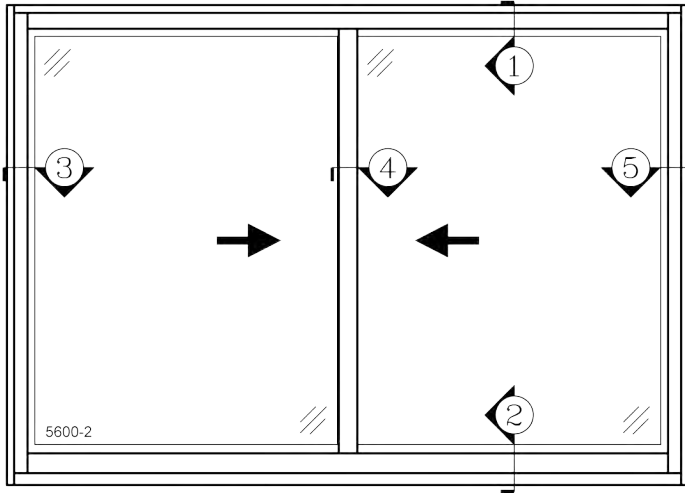
- INTRODUCTION -P1
- TWO LITE SLIDER -P2
- THREE LITE SLIDER (OXO) -P3
- THREE LITE SLIDER (XOX) -P4
- MULLION -P5-P7
- NAILING FIN -P8
- FLANGE -P9-P10

FEATURES

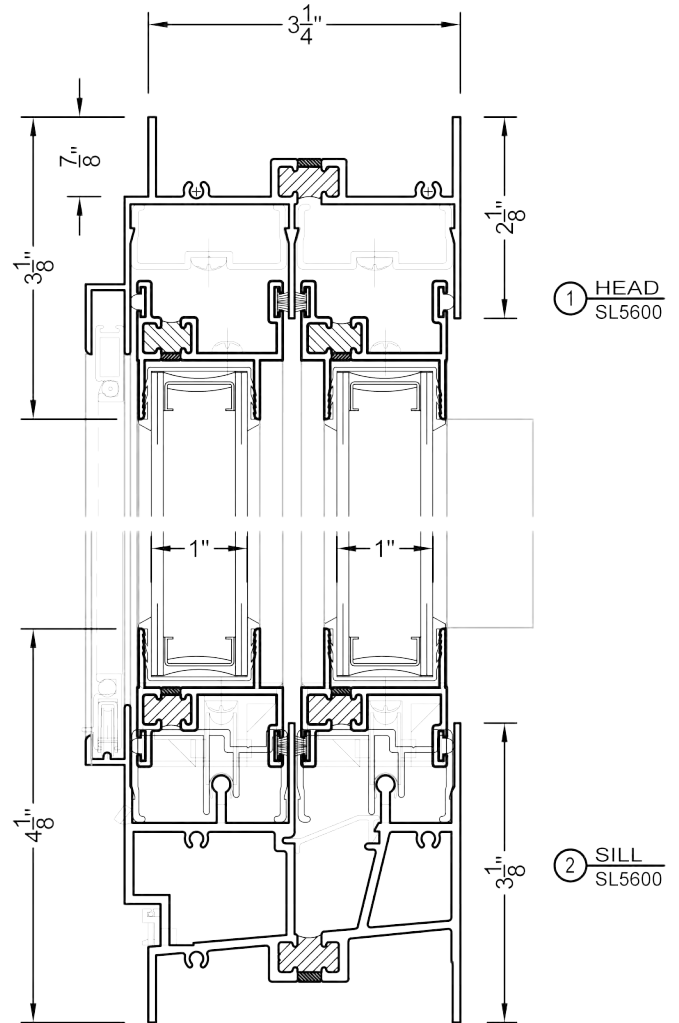
- ALUMINUM THERMAL-BREAK HORIZONTAL SLIDING WINDOW
- 3-1/4" FRAME DEPTH
- 1" DOUBLE PANE INSULATED GLASS
- HEAVY DUTY EXTRUSION
- AAMA 2604 POWDER COAT PAINT
- CONTINUOUS FULL HEIGHT SASH CLIP LOCK
- DOUBLE MEETING RAIL INTERLOCK
- DUAL STAINLESS STEEL SASH ROLLERS
- STAINLESS STEEL REINFORCED FRAME ROLLER TRACK
- HALF SCREEN

OPTIONAL SELECTIONS

- LOW-E COATING & ARGON FILLED IGU
- 1-1/4" NAILING FIN
- FACE FLANGE WITH VARIOUS SIZE
- CUSTOM FINISH AND CUSTOM COLOR
- GRIDS
- VINYL OR METAL SASH STOP
- FULL SCREEN
- OTHER OPTIONAL ACCESSORIES

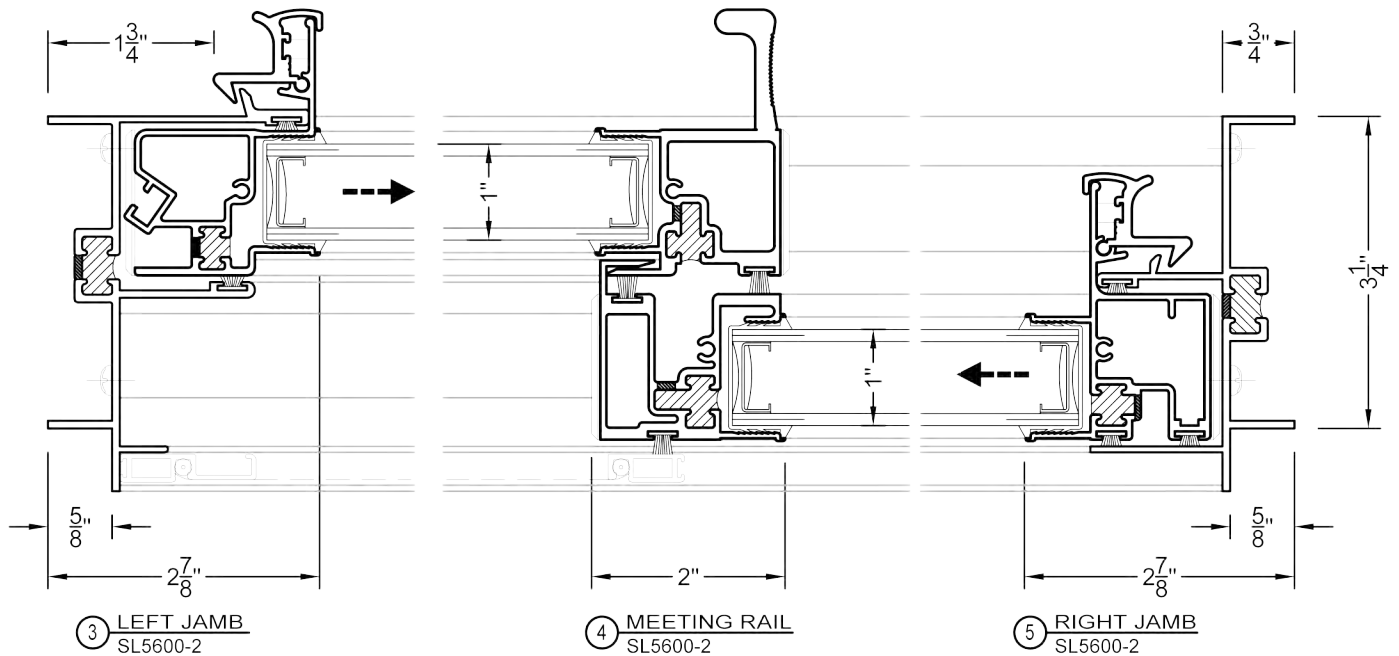


5600-2 TWO LITE SLIDER



① HEAD
SL5600

② SILL
SL5600

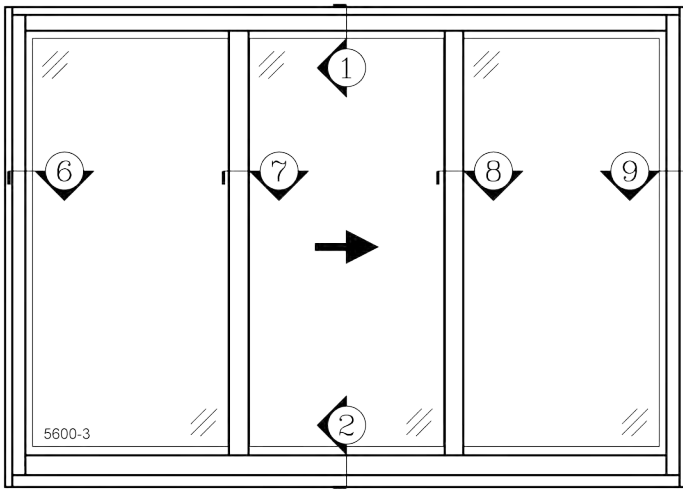


③ LEFT JAMB
SL5600-2

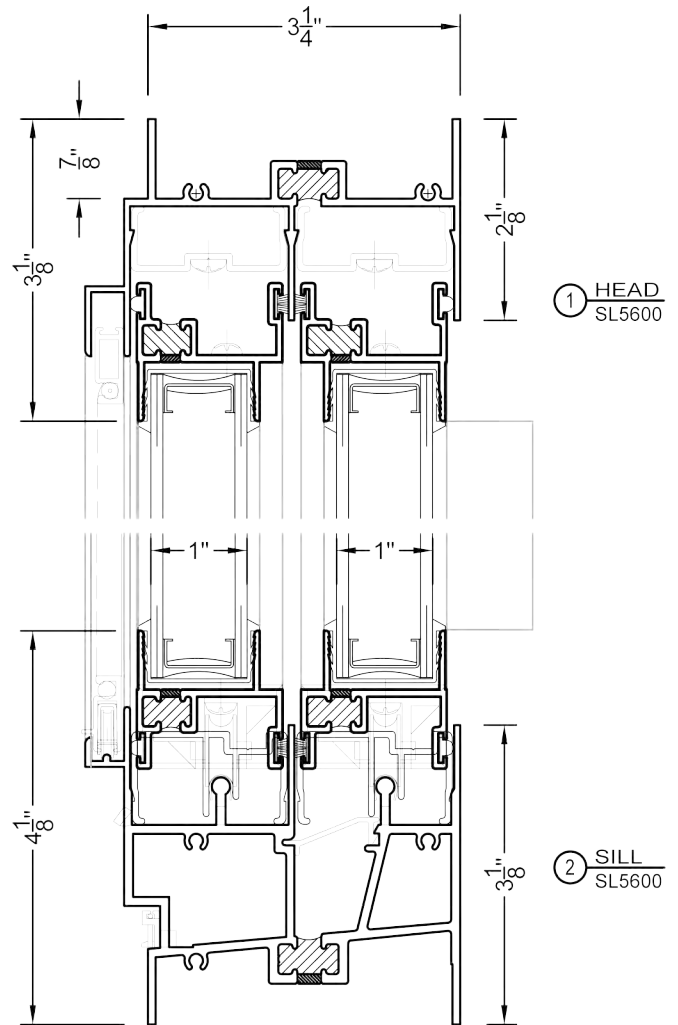
④ MEETING RAIL
SL5600-2

⑤ RIGHT JAMB
SL5600-2

VER: 2020.03

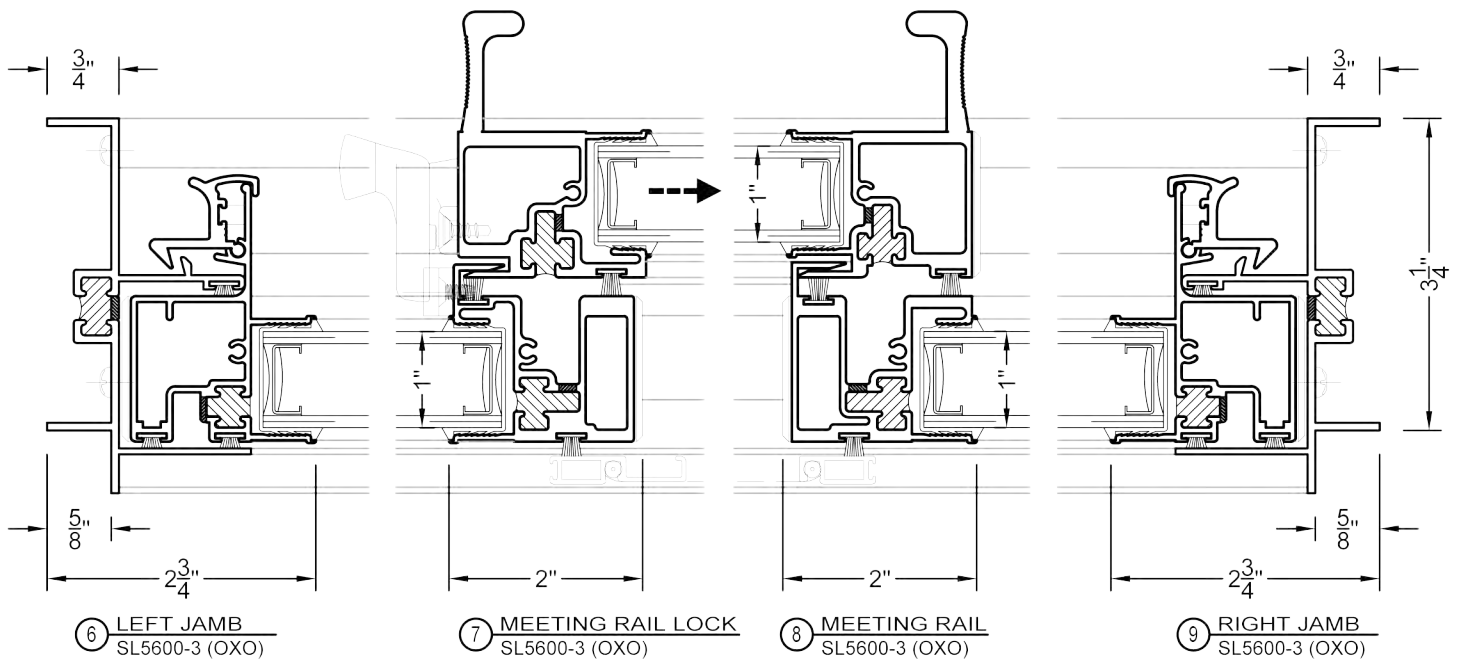


5600-3 THREE LITE SLIDER (O-X-O)



① HEAD
SL5600

② SILL
SL5600



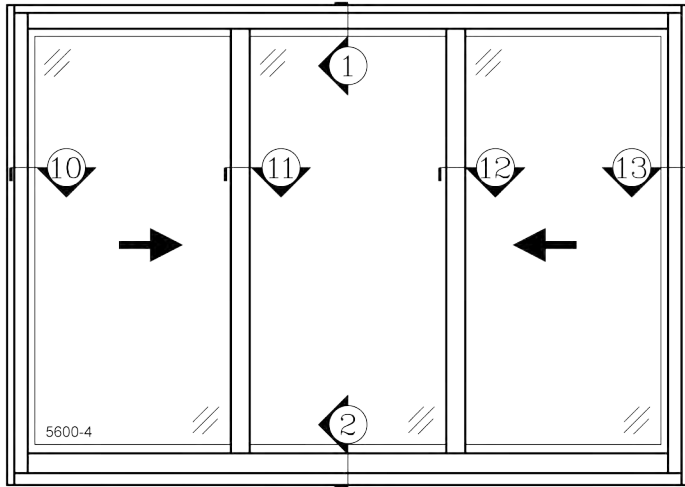
⑥ LEFT JAMB
SL5600-3 (OXO)

⑦ MEETING RAIL LOCK
SL5600-3 (OXO)

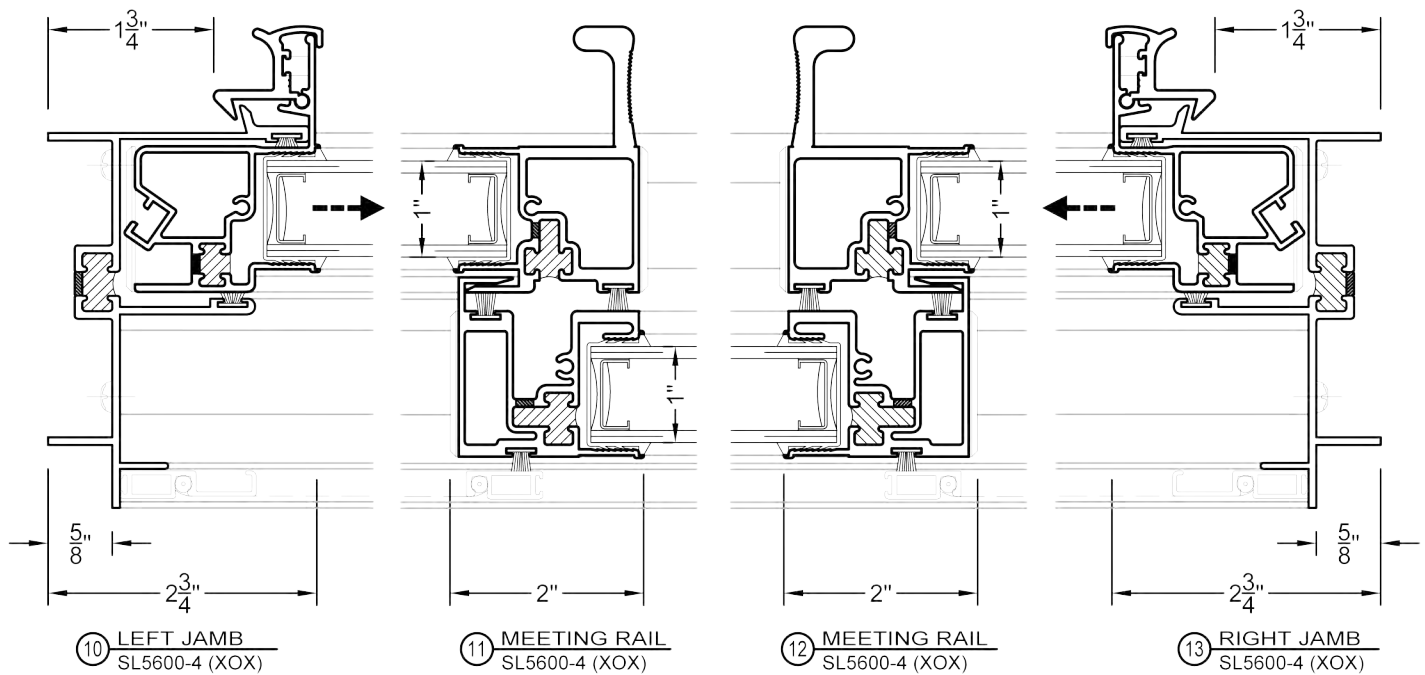
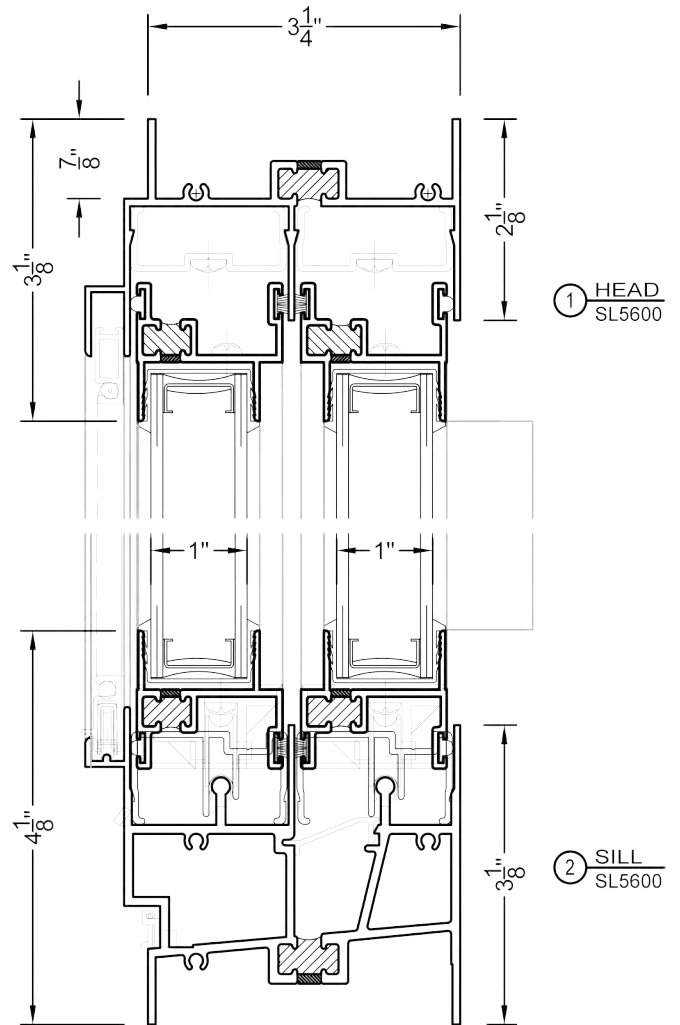
⑧ MEETING RAIL
SL5600-3 (OXO)

⑨ RIGHT JAMB
SL5600-3 (OXO)

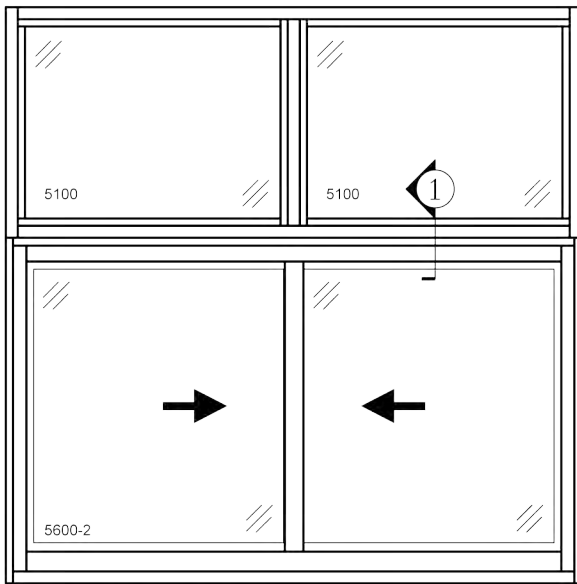
VER: 2020.03



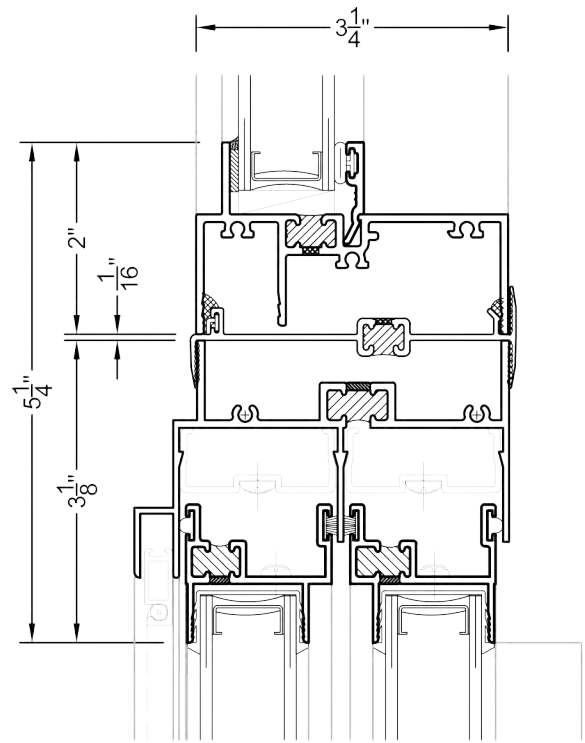
5600-4 THREE LITE SLIDER (X-O-X)



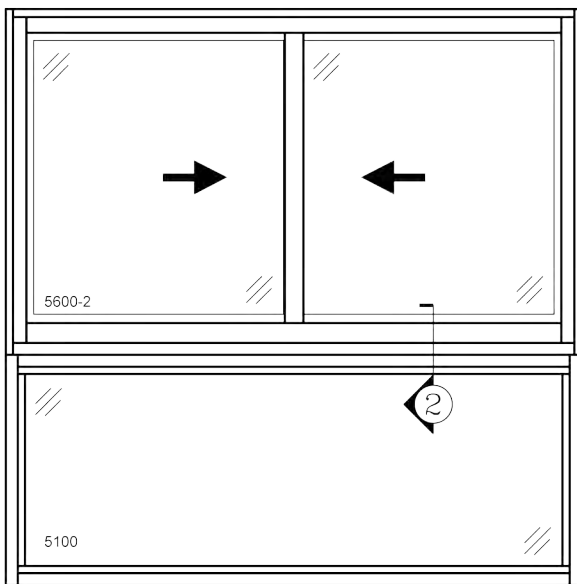
VER: 2020.03



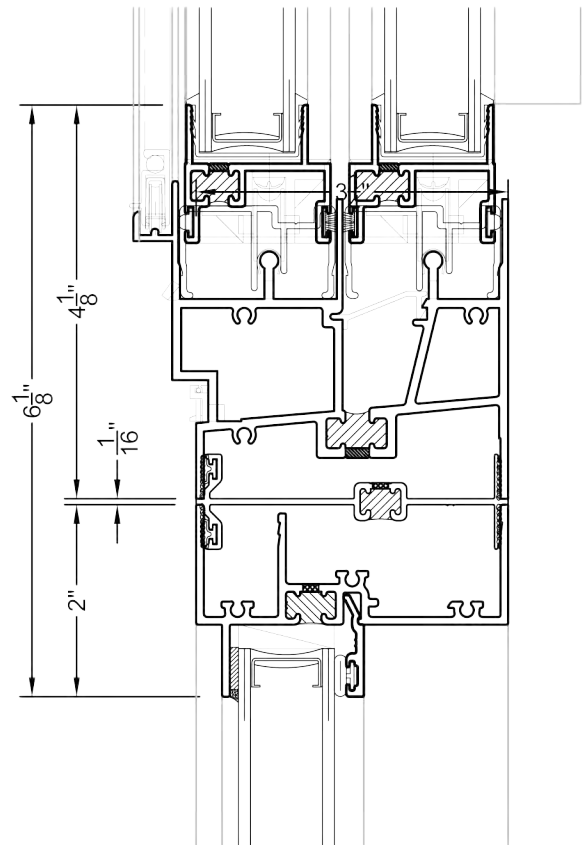
PW5100-2H OVER SL5600-2



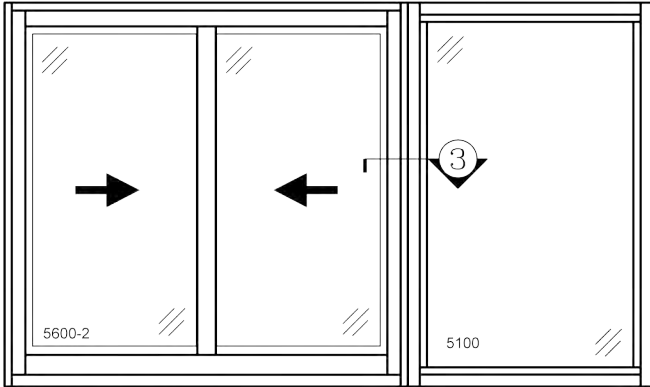
① STACK MULLION
 PW5100 OVER SL5600-2



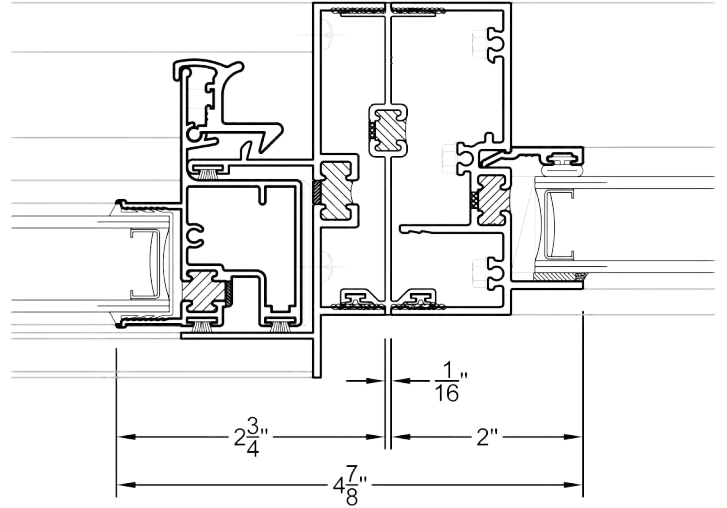
SL5600-2 OVER PW5100



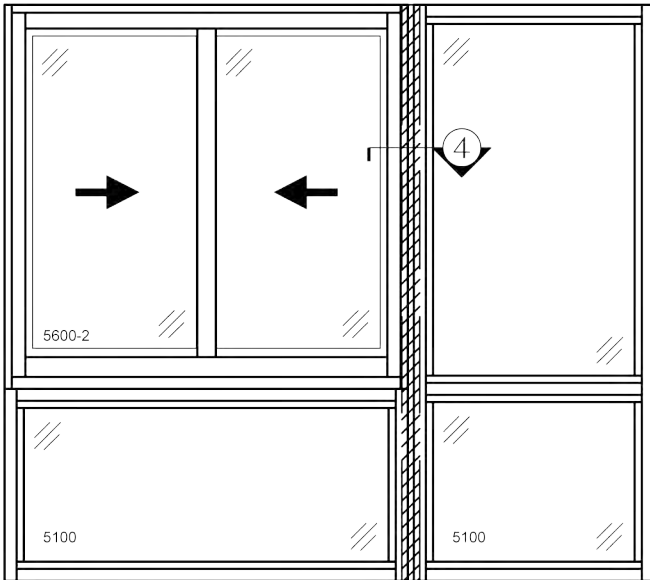
② SHORT LEG H MULLION
 SL5600-2 OVER PW5100



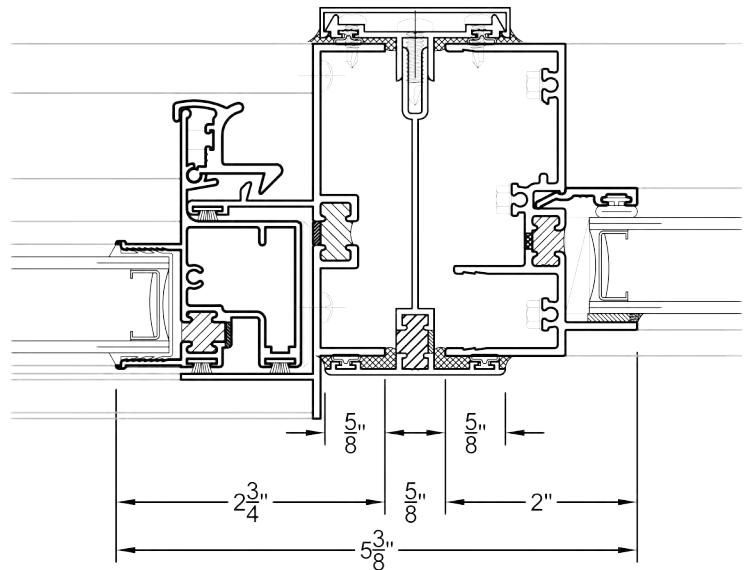
SL5600-2 & PW5100



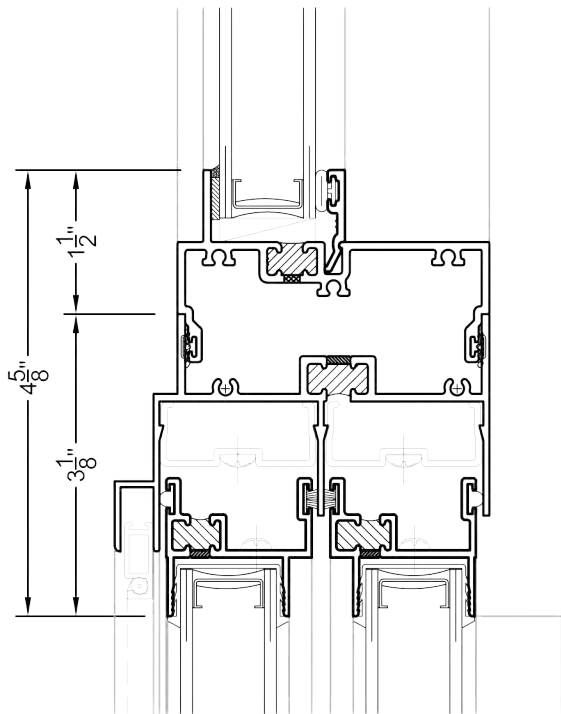
③ SHORT LEG H MULLION
 SL5600 & PW5100



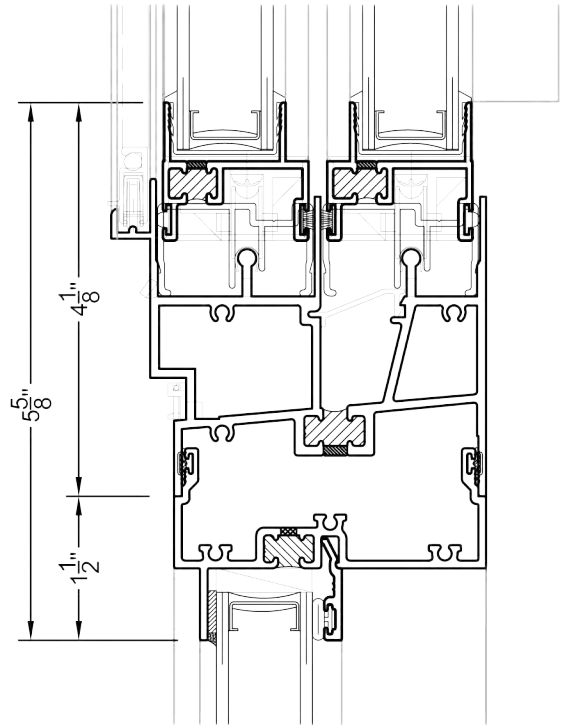
SL5600 OVER PW5100 & PW5100-2V
 W/ 3PC MULLION



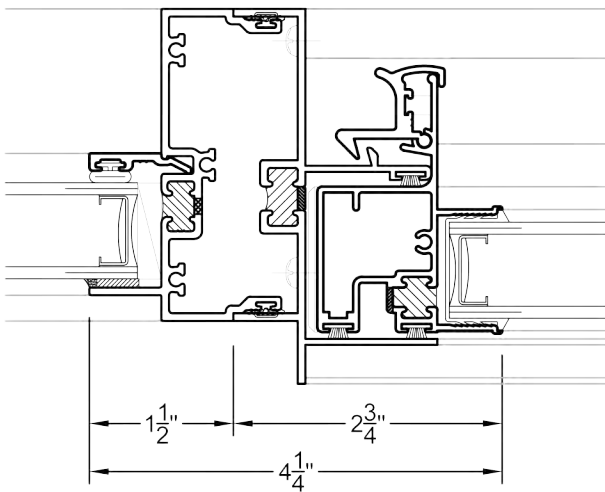
④ 3PC MULLION
 SL5600 & PW5100



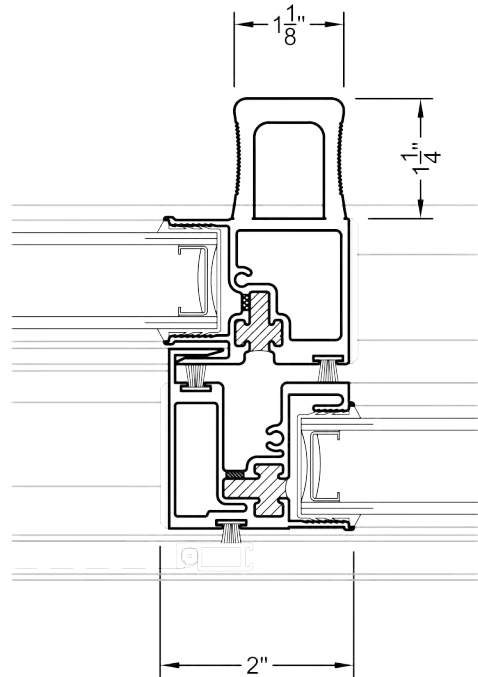
⑤ MALE FRAME MULLION
 PW5100 MALE OVER SL5600



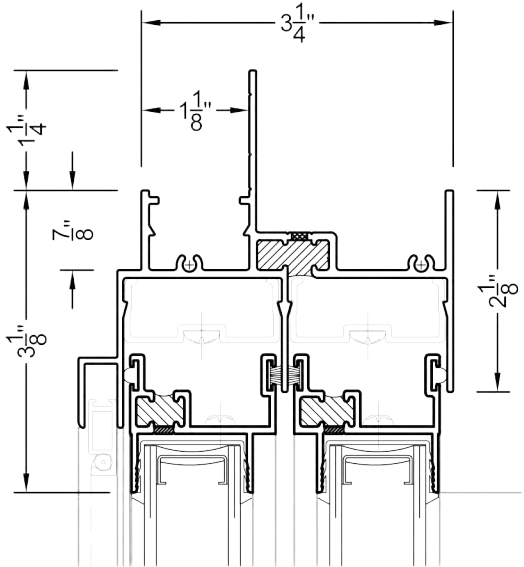
⑥ MALE FRAME MULLION
 SL5600 OVER PW5100 MALE



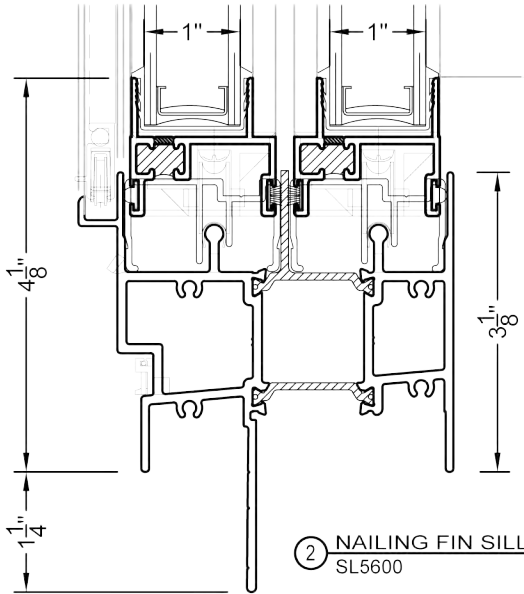
⑦ MALE FRAME MULLION
 PW5100 MALE & SL5600



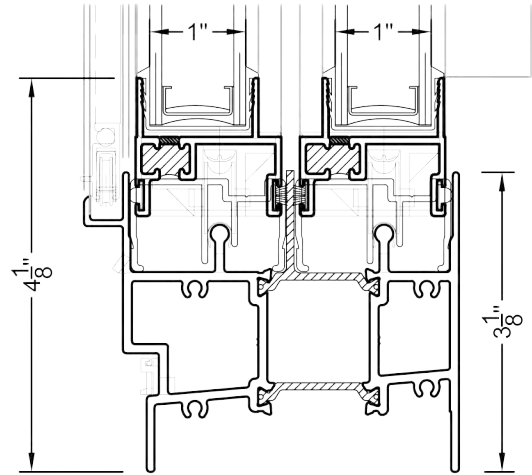
⑧ HEAVY DUTY MEETING RAIL
 SL5600



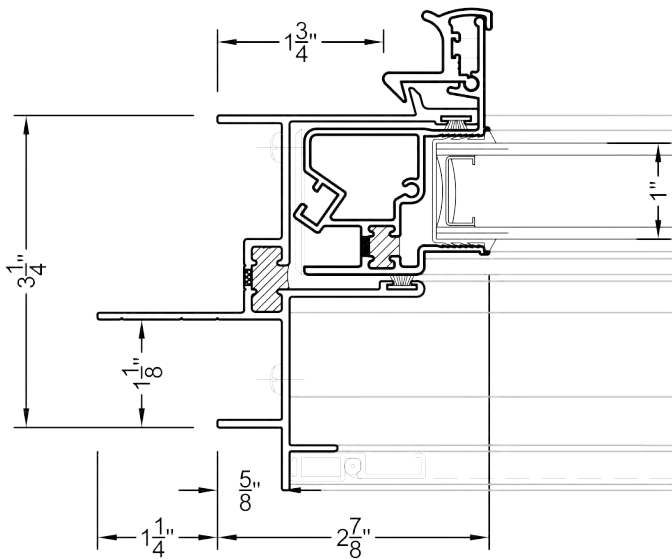
① NAILING FIN HEAD
 SL5600



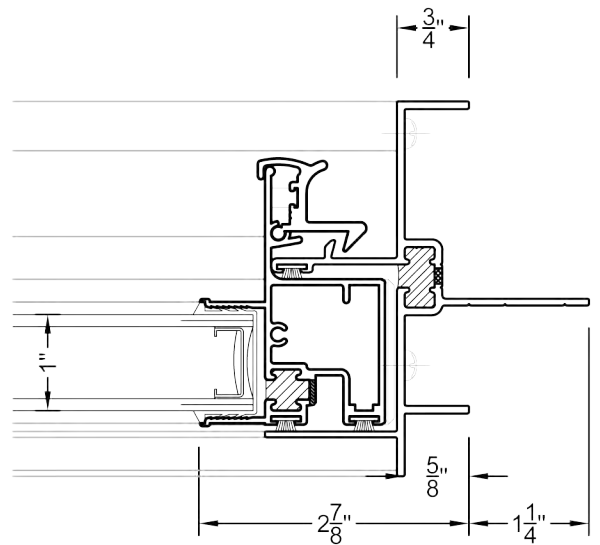
② NAILING FIN SILL
 SL5600



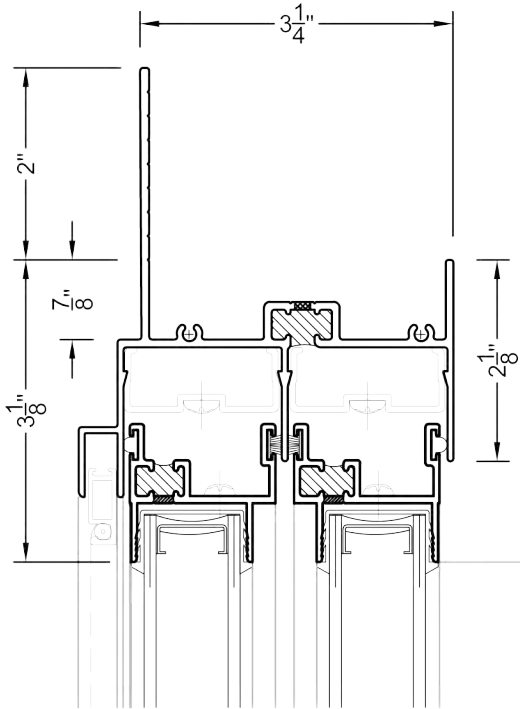
②A EQUAL LEG SILL W/ INSULBAR
 SL5600



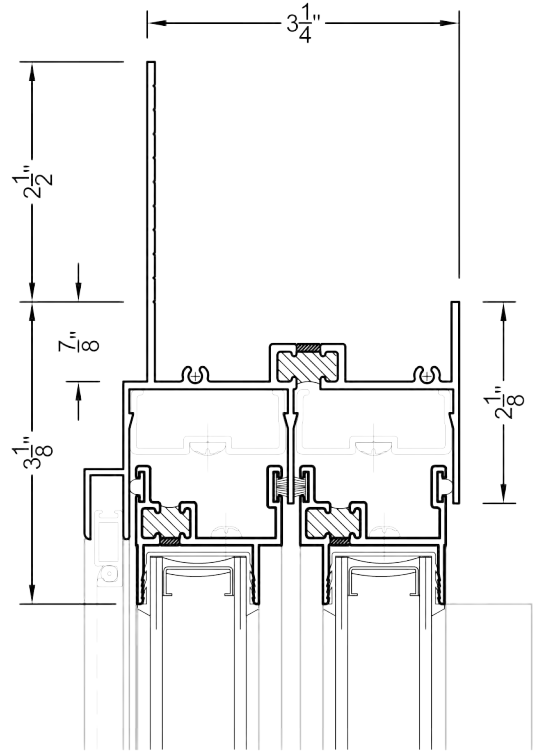
③ NAILING FIN JAMB
 SL5600



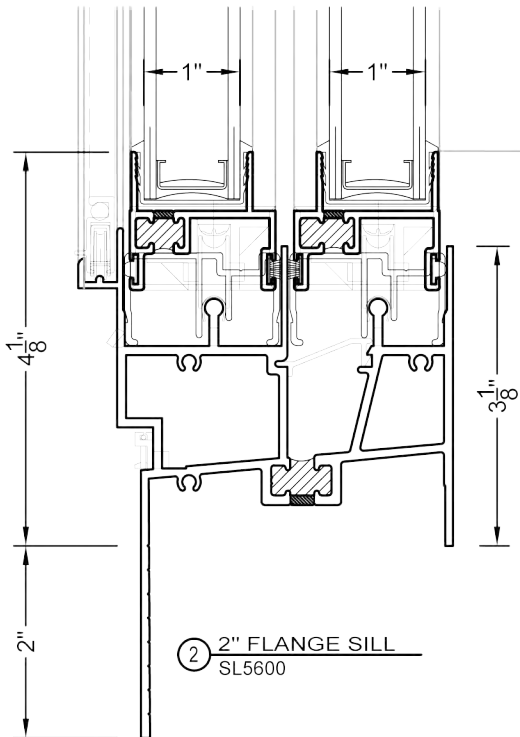
⑤ NAILING FIN JAMB
 SL5600



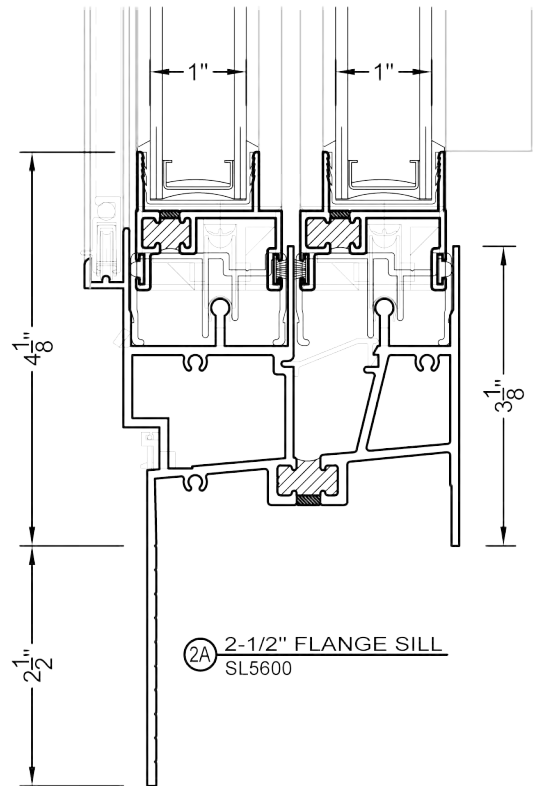
① 2" FLANGE HEAD
 SL5600



①A 2-1/2" FLANGE HEAD
 SL5600



② 2" FLANGE SILL
 SL5600



②A 2-1/2" FLANGE SILL
 SL5600

