

SERIES 5100 FIXED WINDOWS

TEST SIZE W x H	AAMA RATING	AIR INFILTRATION	DESIGN PRESSURE	WATER RESISTANCE	U-VALUE	SHGC	VT
60" x 99"	AW-PG100	≤0.10 cfm/ft ²	100 psf	12 psf	0.25-0.52	0.19-0.65	0.31-0.69



TABLE OF CONTENT

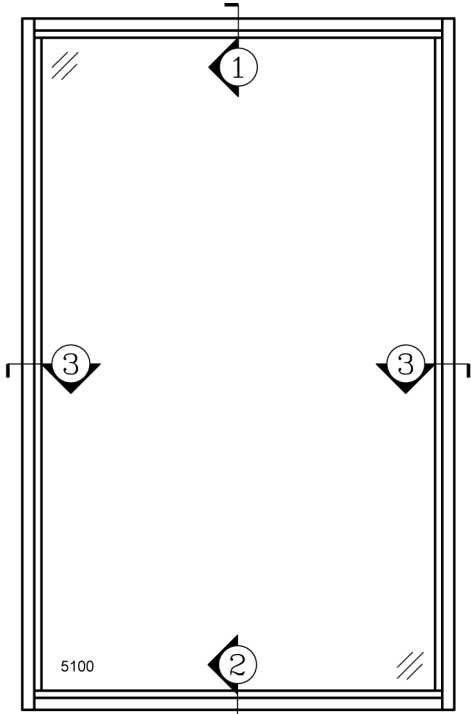
- INTRODUCTION -P1
- SECTION DETAILS -P2
- MULLION -P3-P4
- MALE/FEMALE -P5
- 1-3/8" IGU FRAME -P5
- FACE FLANGE -P6-P7

FEATURES

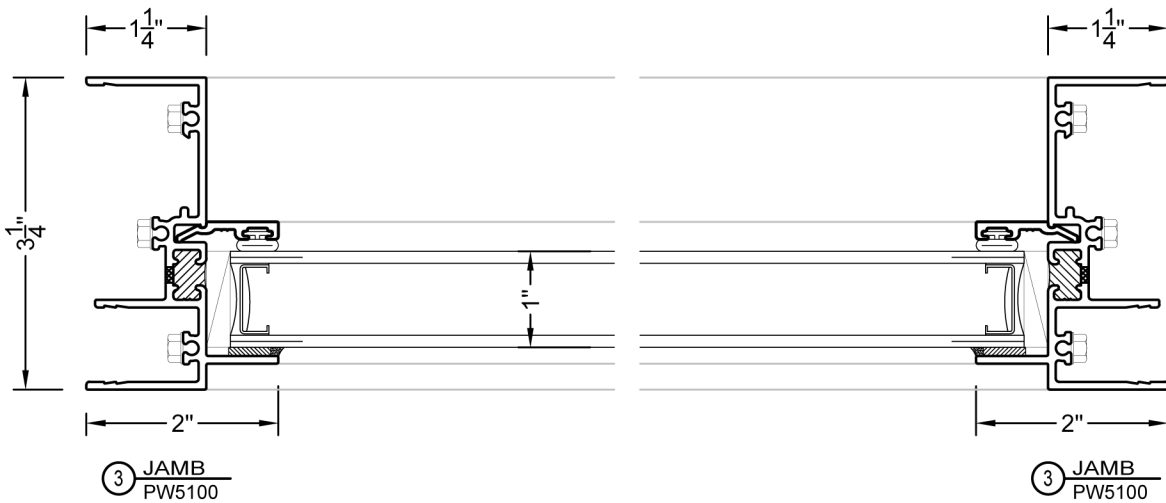
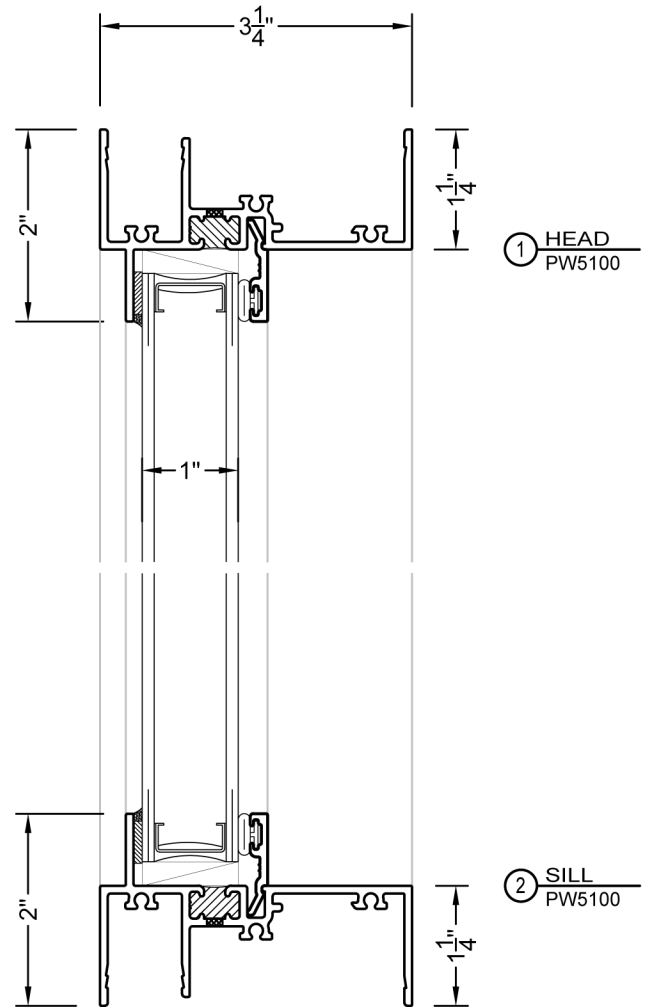
- ALUMINUM THERMAL-BREAK FIXED WINDOW
- 3-1/4" FRAME DEPTH
- 1" DOUBLE PANE INSULATED GLASS
- HEAVY DUTY EXTRUSION
- AAMA 2604 POWDER COAT PAINT

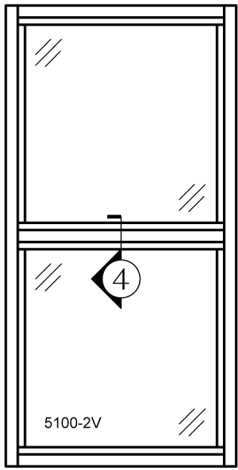
OPTIONAL SELECTIONS

- LOW-E COATING & ARGON FILLED IGU
- FACE FLANGE WITH VARIOUS SIZE
- CUSTOM FINISH AND CUSTOM COLOR
- GRIDS
- LOUVER SYSTEM
- MALE/ FEMALE FRAME
- HEAVY DUTY MALE/ FEMALE FRAME
- 1-3/8" INSULATED GLASS
- OTHER OPTIONAL ACCESSORIES

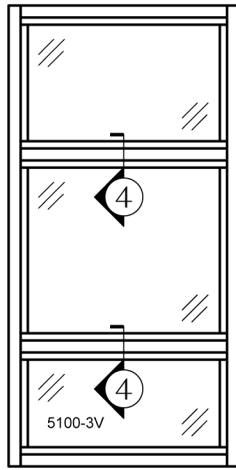


5100 FIXED WINDOW

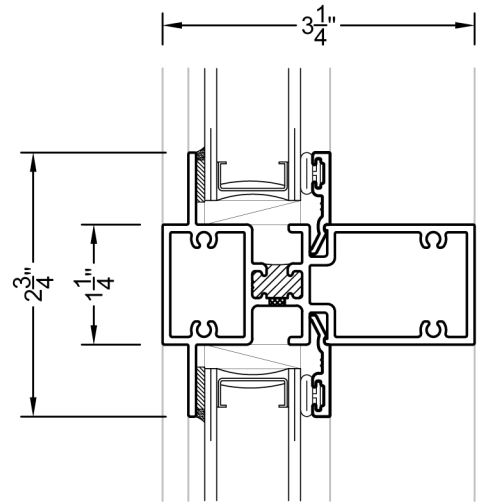




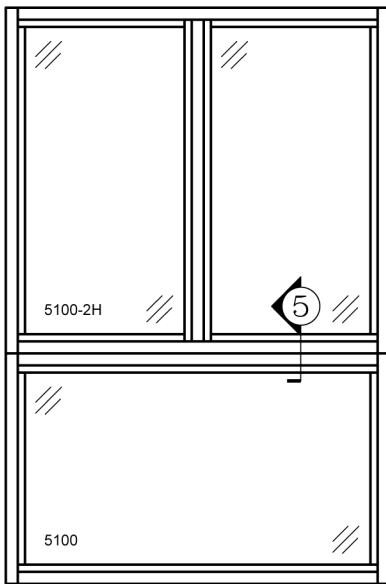
PW5100-2V VERTICAL 2 LITE



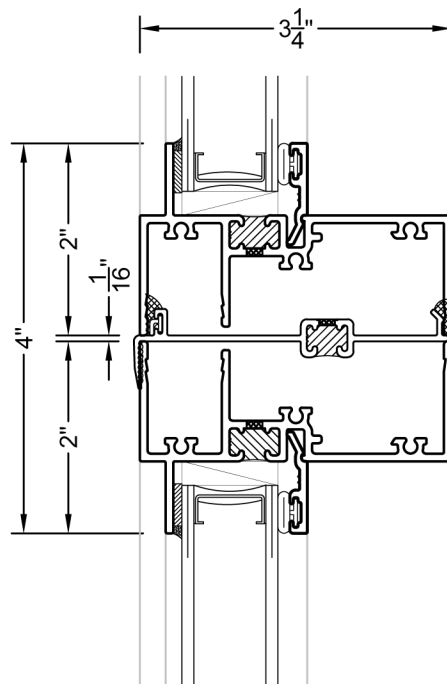
PW5100-3V VERTICAL 3 LITE



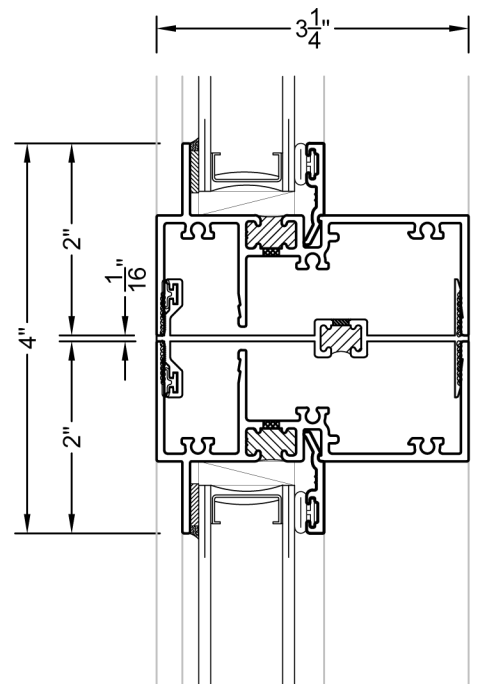
④ T IMPOST
 PW5100



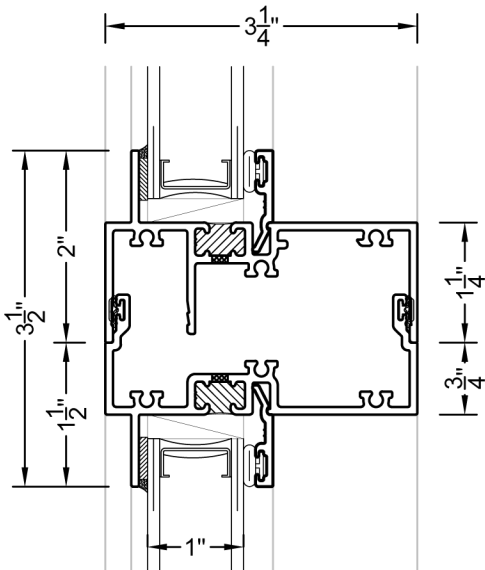
PW5100-2H OVER PW5100



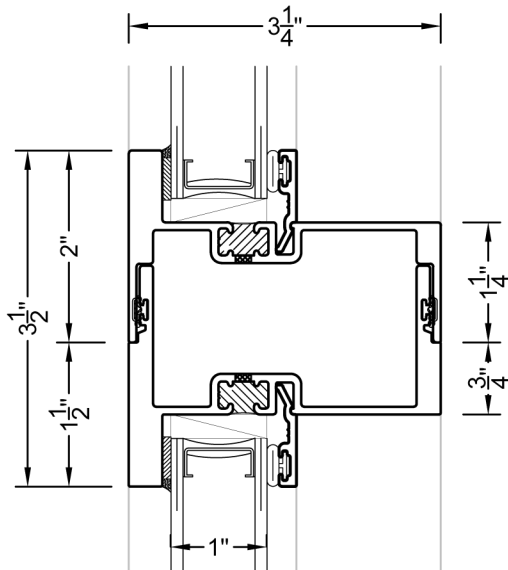
⑤ STACK MULLION
 PW5100 OVER PW5100



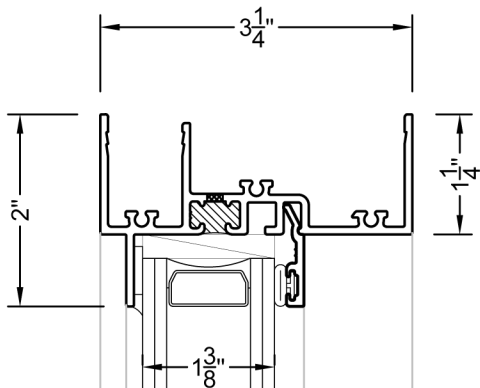
⑤A H MULLION
 PW5100 OVER PW5100



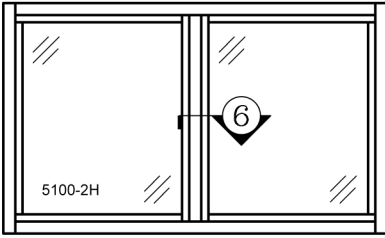
9 MALE / FEMALE FRAME
 PW5100



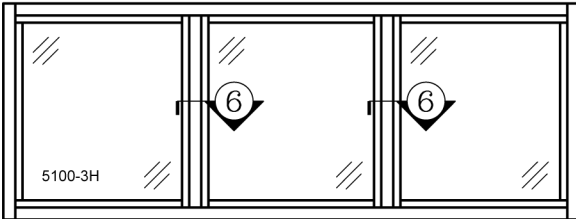
10 HEAVY DUTY MALE / FEMALE FRAME
 PW5100



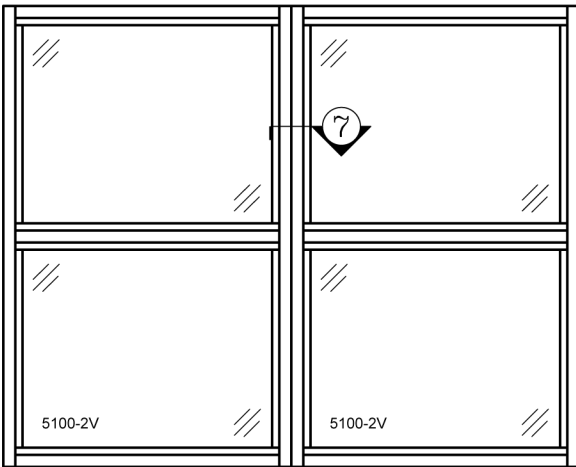
10 1-3/8" IGU FRAME
 PW5100



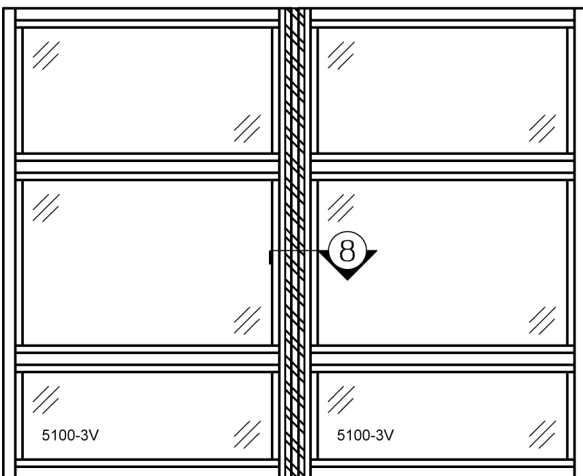
PW5100-2H HORIZONTAL 2 LITE



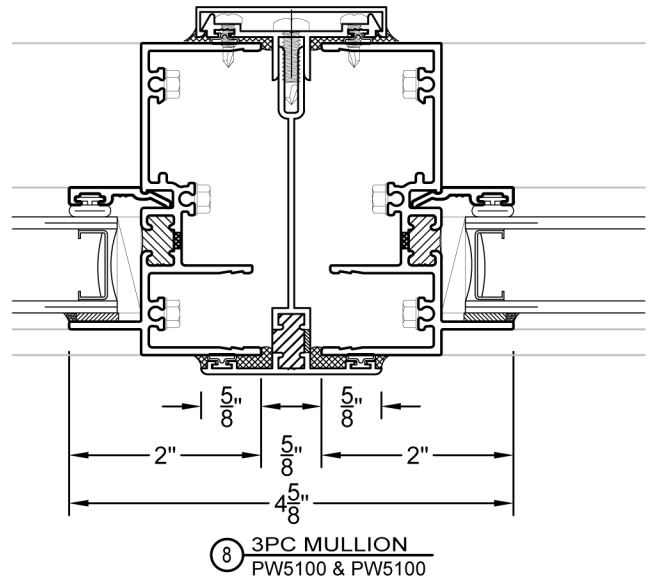
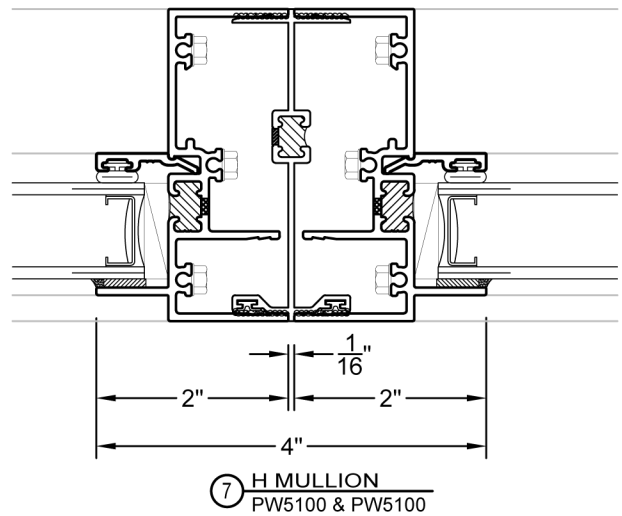
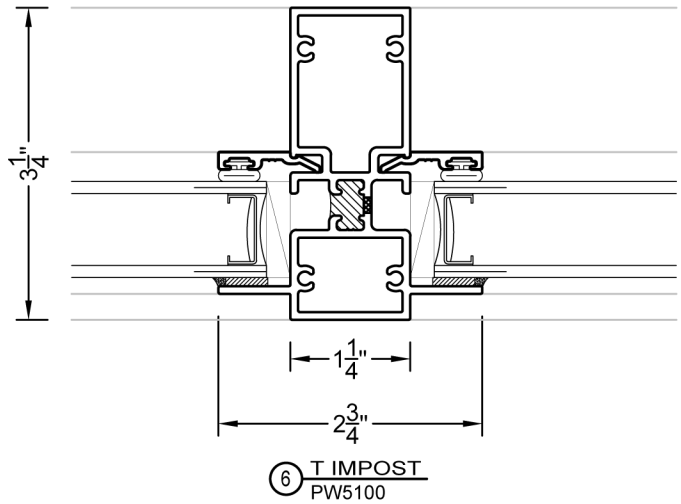
PW5100-3H HORIZONTAL 3 LITE

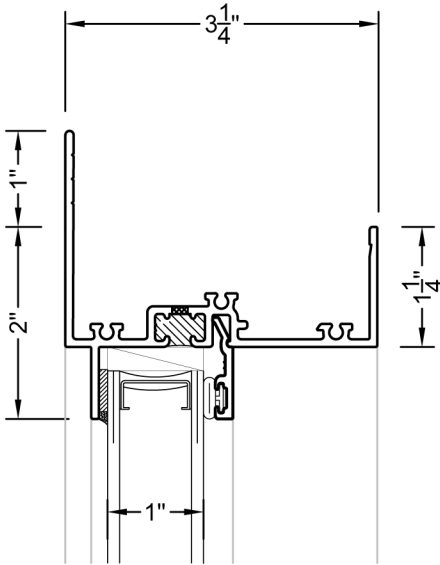


PW5100-2V & PW5100-2V WITH
 H MULLION

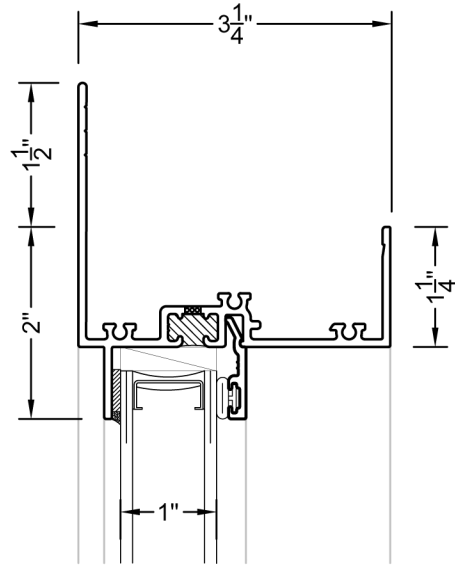


PW5100-3V & PW5100-3V WITH
 3PC MULLION

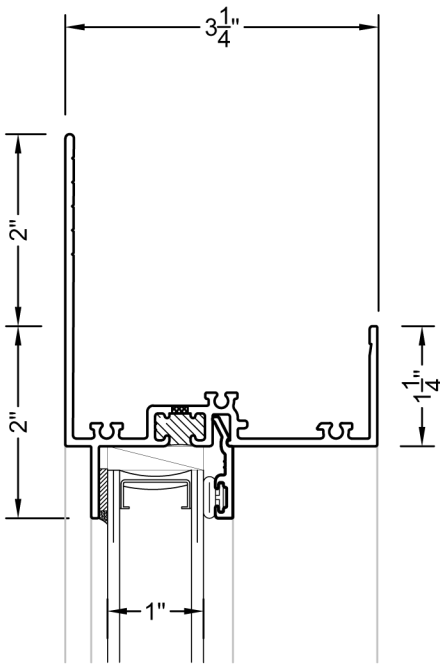




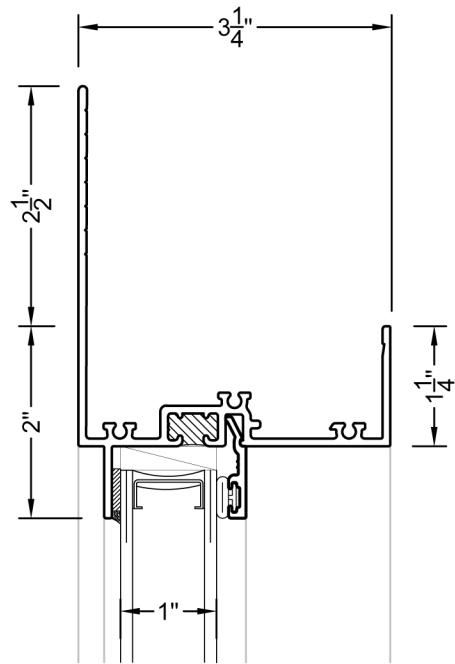
① 1" FLANGE HEAD/SILL
 PW5100



①A 1-1/2" FLANGE HEAD/SILL
 PW5100



①B 2" FLANGE HEAD/SILL
 PW5100



①C 2-1/2" FLANGE HEAD/SILL
 PW5100

