

SERIES 5000 DOUBLE HUNG WINDOWS

TEST SIZE W x H	AAMA RATING	AIR INFILTRATION	DESIGN PRESSURE	WATER RESISTANCE	U-VALUE	SHGC	VT
60" x 99"	CW-PG50	<0.30 cfm/ft ²	50 psf	7.50 psf	0.38-0.61	0.18-0.57	0.34-0.60



TABLE OF CONTENT

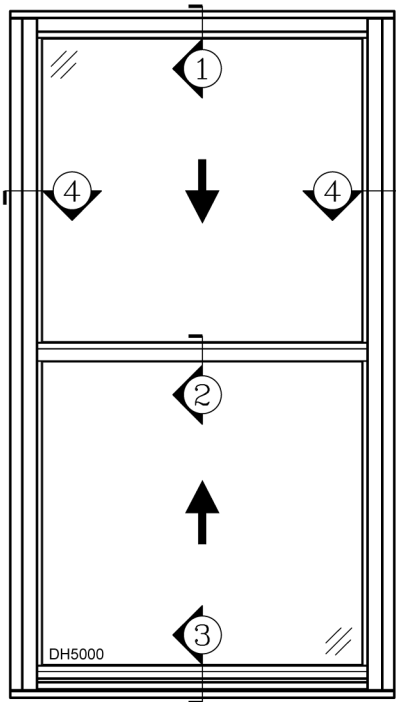
- INTRODUCTION -P1
- SECTION DETAILS -P2
- MULLION -P3-P6
- FACE FLANGE -P7-P8

FEATURES

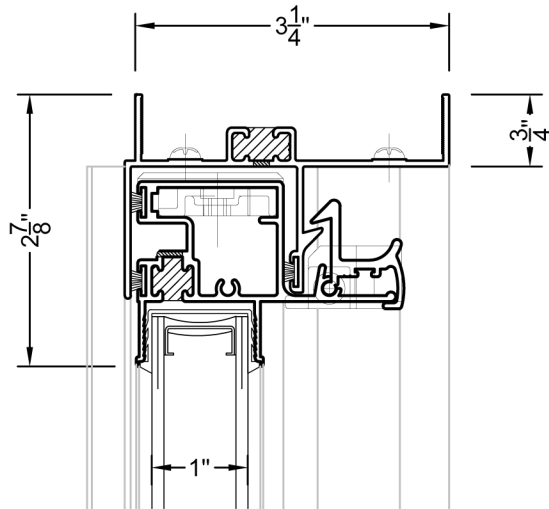
- ALUMINUM THERMAL-BREAK DOUBLE HUNG TILT WINDOW
- 3-1/4" FRAME DEPTH
- 1" DOUBLE PANE INSULATED GLASS
- AAMA 2604 POWDER COAT PAINT
- HEAVY-DUTY EXTRUSION
- EQUAL SIGHTLINE DESIGN
- POCKET SILL
- CUSTODIAL LOCK TILT LATCHES
- FULL WIDTH ANTI DRIFT CLIP LOCKS ON BOTH SASHES
- SPIRAL BALANCES
- HALF SCREEN

OPTIONAL SELECTIONS

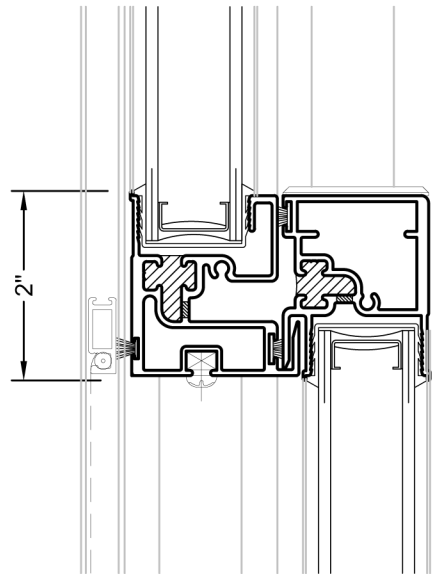
- LOW-E COATING & ARGON FILLED IGU
- 2-1/2" FACE FLANGE
- CUSTOM FINISH AND CUSTOM COLOR
- GRIDS
- BLOCK & TACKLE OR ULTRA LIFT BALANCES
- OTHER OPTIONAL ACCESSORIES
- VINYL OR METAL SASH STOPS
- FULL SCREEN



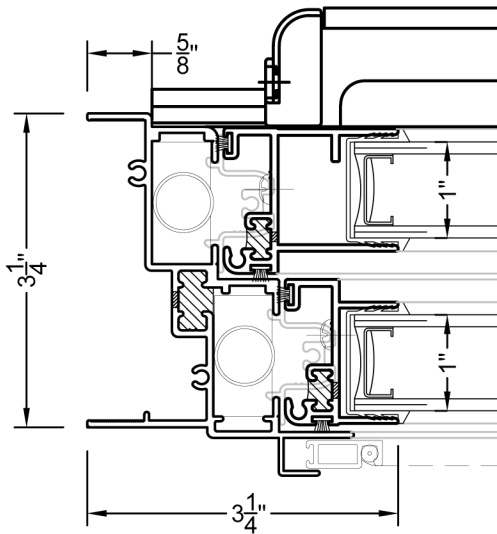
5000 DOUBLE HUNG



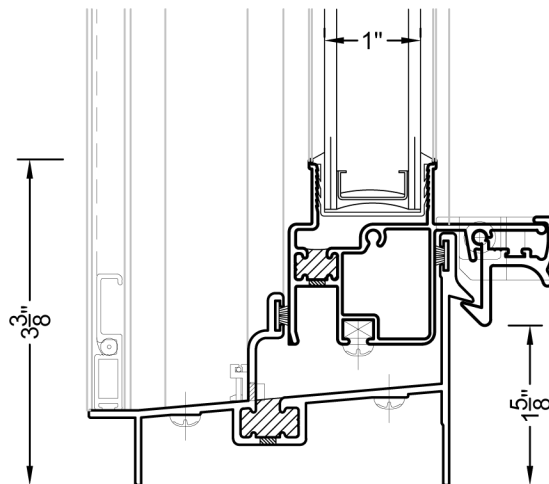
① HEAD
DH5000



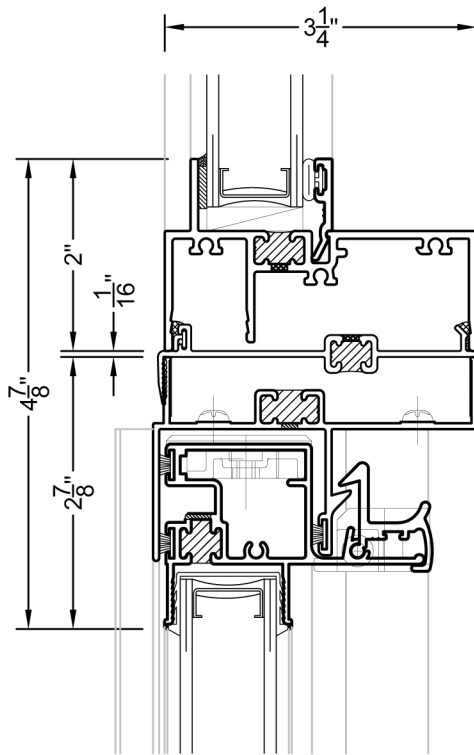
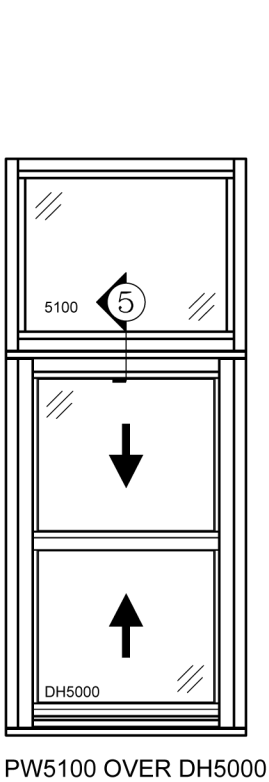
② MEETING RAIL
DH5000



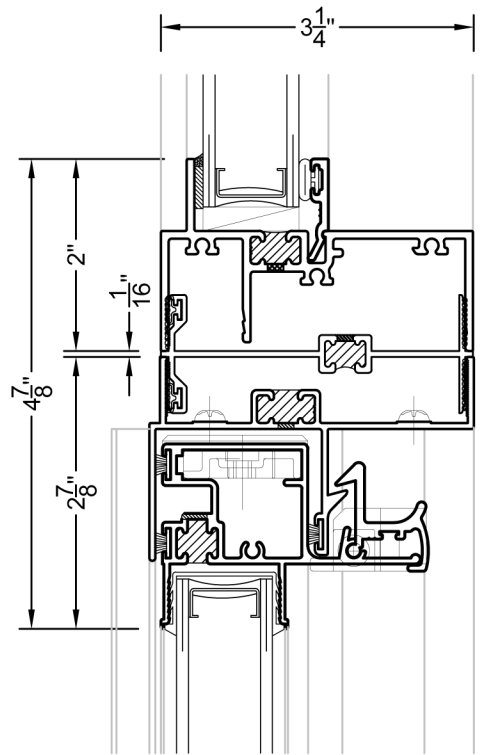
④ JAMB
DH5000



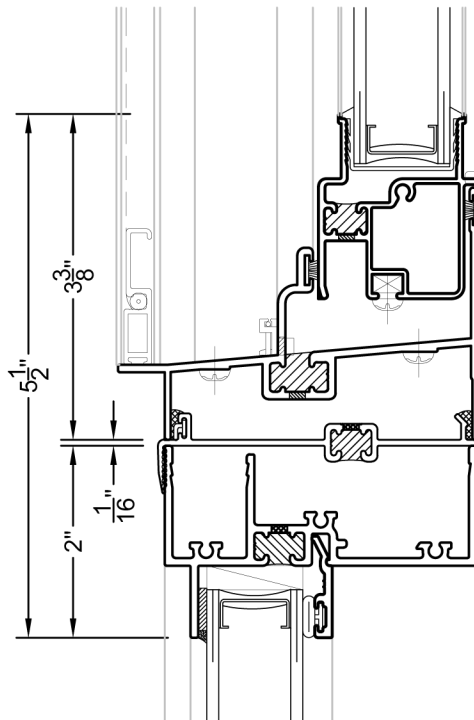
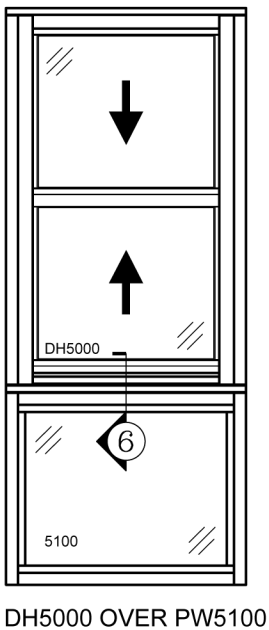
③ SILL
DH5000



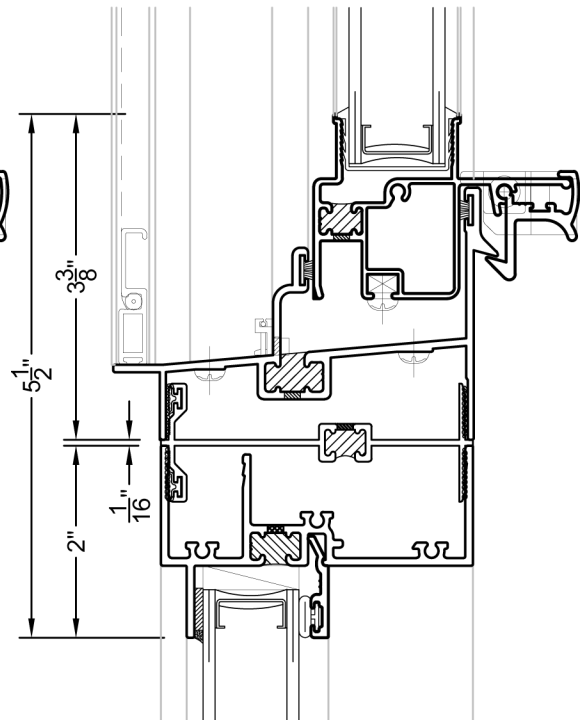
⑤ STACK MULLION
 PW5100 OVER DH5000



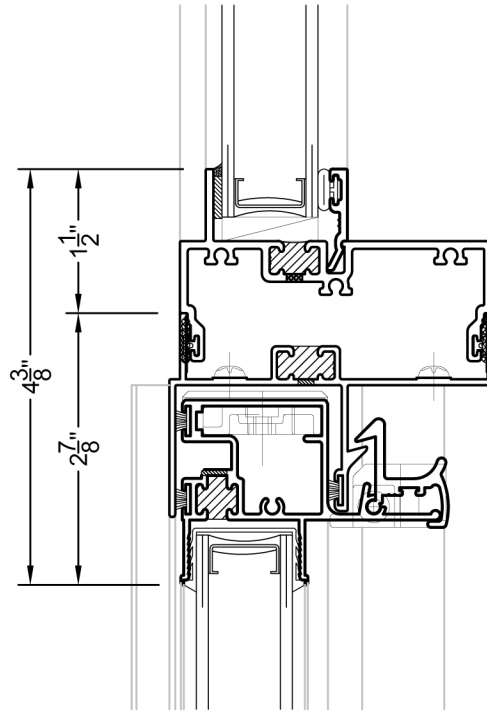
⑤A H MULLION
 PW5100 OVER DH5000



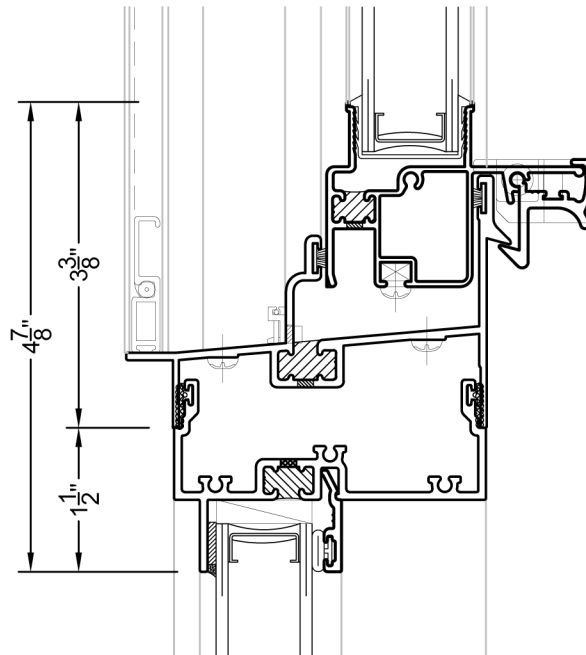
⑥ STACK MULLION
 DH5000 OVER PW5100



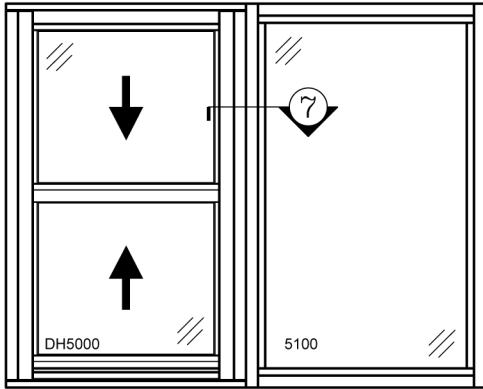
⑥A H MULLION
 DH5000 OVER PW5100



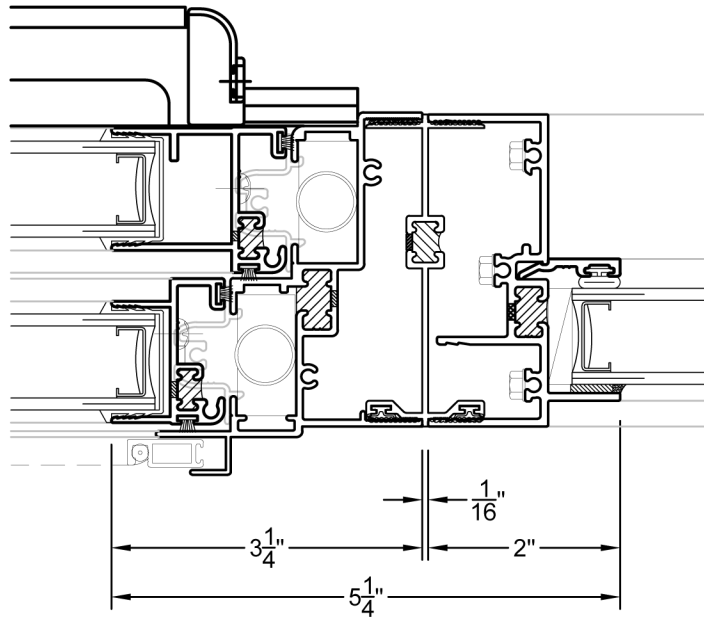
6B MALE FRAME MULLION
 PW5100 MALE OVER DH5000



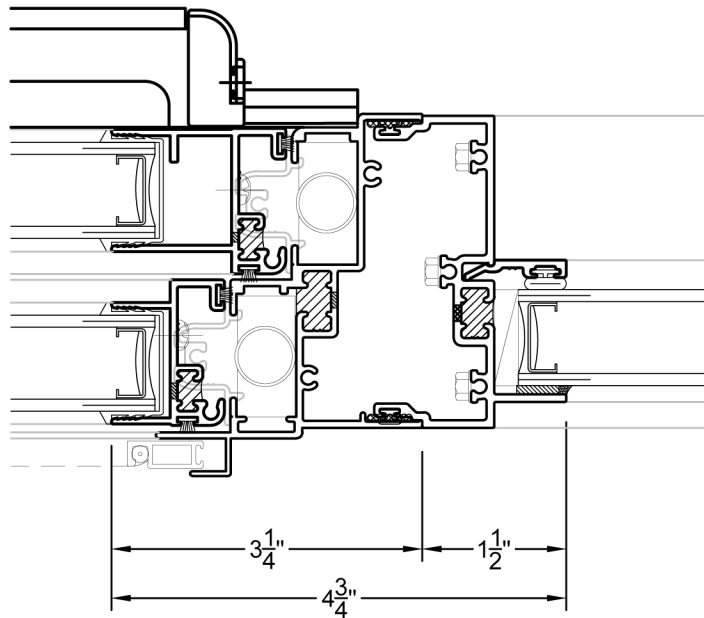
6B MALE FRAME MULLION
 DH5000 OVER PW5100 MALE



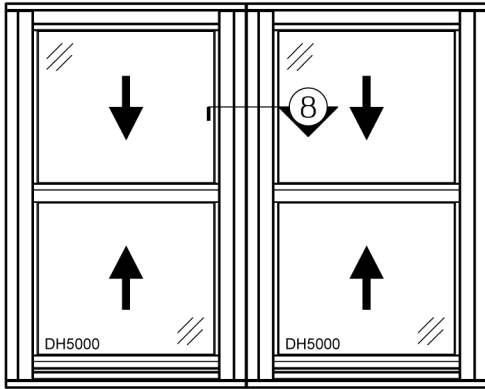
DH5000 & PW5100



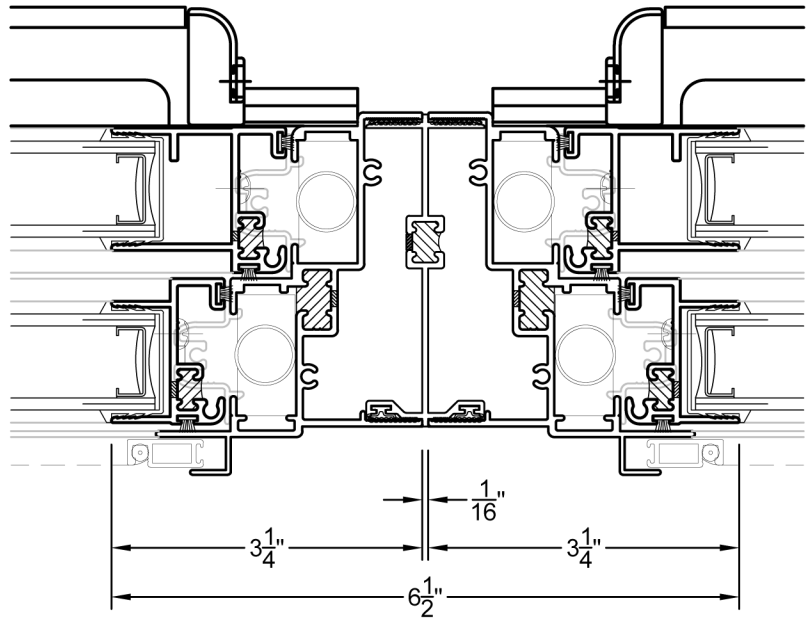
⑦ H MULLION
 DH5000 & PW5100



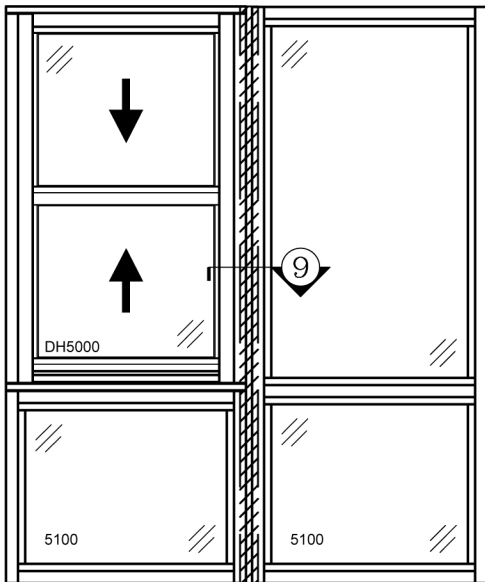
⑦A MALE FRAME MULLION
 DH5000 & 5100 MALE



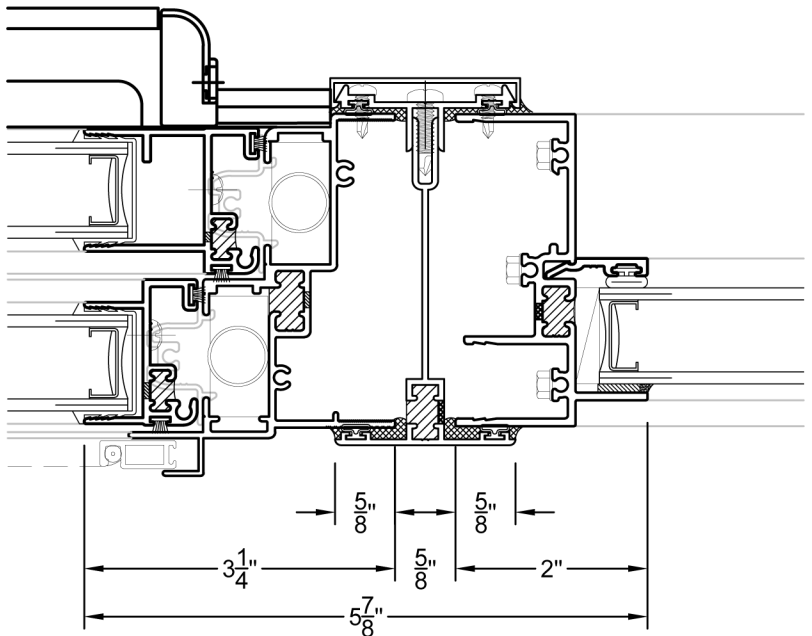
DH5000 & DH5000



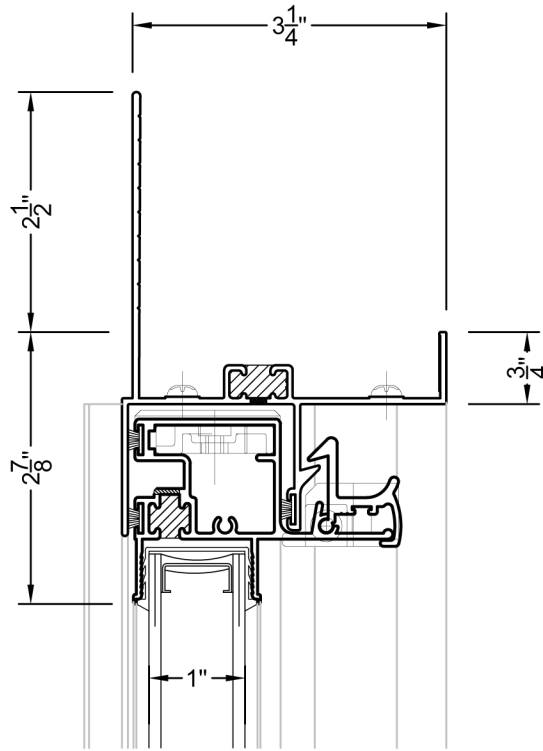
8 H MULLION
 DH5000 & DH5000



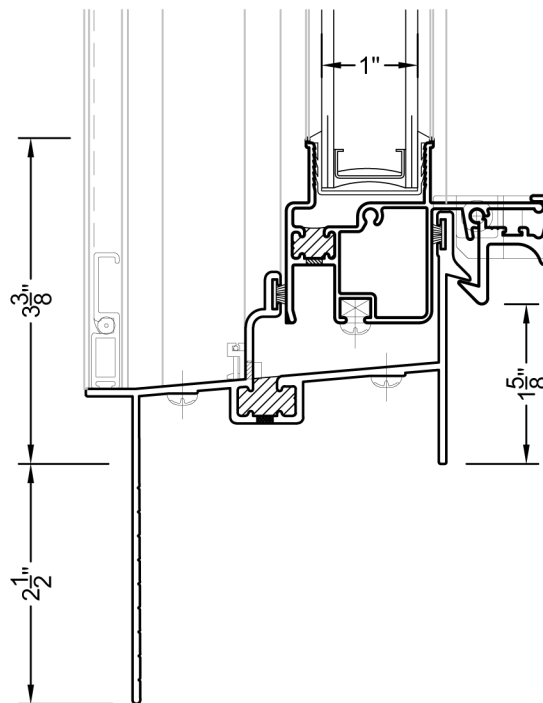
DH5000 OVER PW5100 &
 PW5100T W/ 3PC MULLION



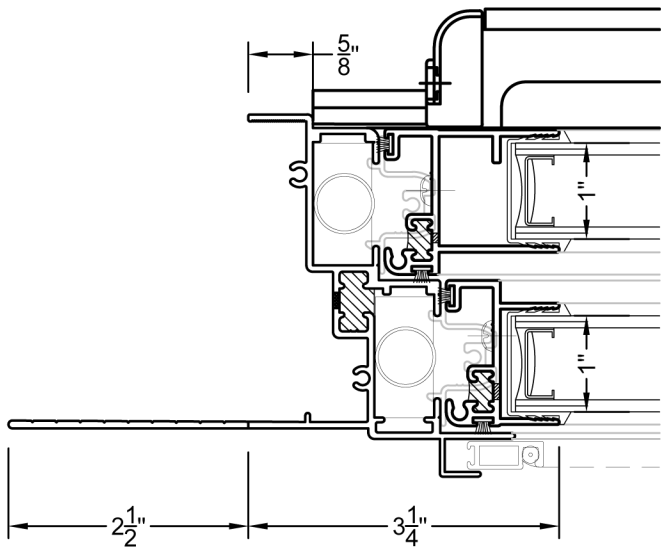
9 3PC MULLION
 DH5000 & PW5100



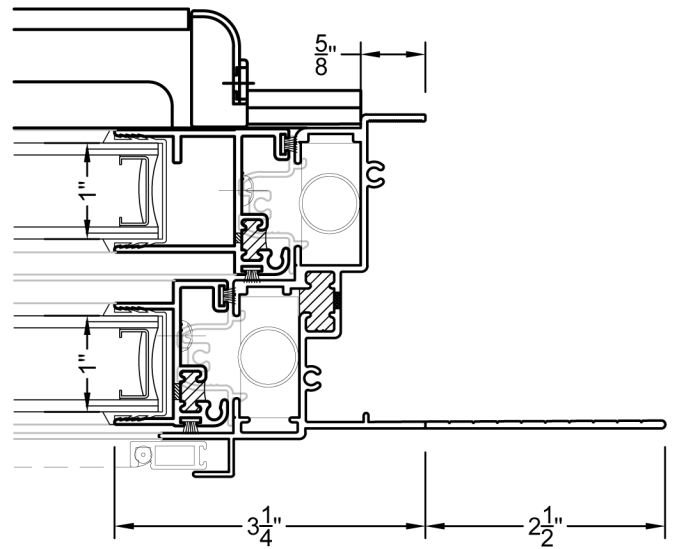
① 2-1/2" FACE FLANGE HEAD
 DH5000



② 2-1/2" FACE FLANGE SILL
 DH5000



③ 2-1/2" FACE FLANGE JAMB
 DH5000



③ 2-1/2" FACE FLANGE JAMB
 DH5000