

SERIES 500 DOUBLE HUNG WINDOW

TEST SIZE W x H	AAMA RATING	AIR INFILTRATION	DESIGN PRESSURE	WATER RESISTANCE	U-VALUE	SHGC	VT
39.5" x 63"	R-PG30	≤0.30 cfm/ft ²	30 psf	4.5 psf	0.24-0.47	0.19-0.60	0.35-0.63



TABLE OF CONTENT

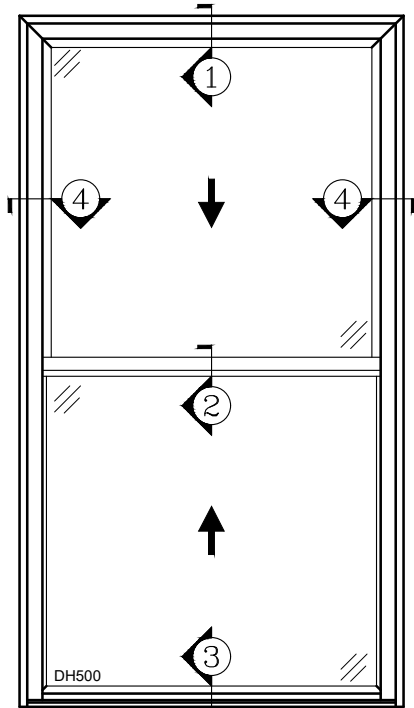
- INTRODUCTION -P1
- SECTION DETAILS -P2
- MULLION -P3-P4

FEATURES

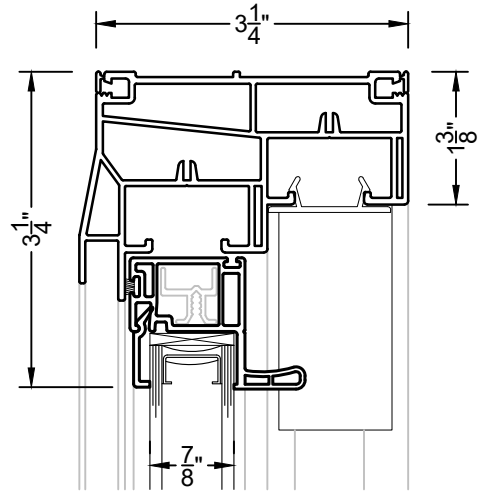
- 3-1/4" FRAME DEPTH
- 7/8" INSULATED GLASS
- SINGLE STRENGTH GLASS
- MEETING RAIL LOCK
- DUAL VENT LOCK
- TILT SASH WITH TILT LATCH
- CONTINUOUS LIFT HANDLE ON BOTTOM SASH
- SLOPED SILL
- CONSTANT FORCE COIL BALANCE
- DOUBLE-SEAL WEATHERSTRIPPING

OPTIONAL SELECTIONS

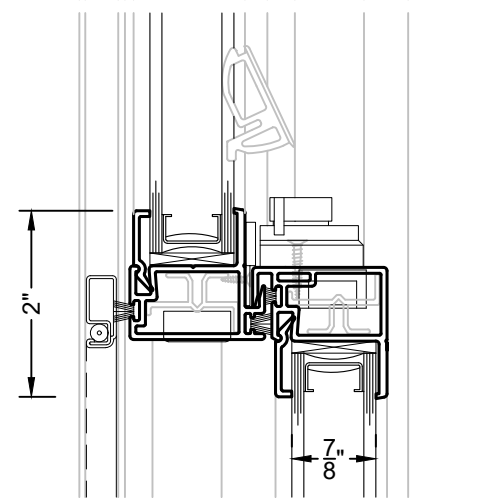
- LOW-E COATING & ARGON FILLED IGU
- CUSTOM FINISH AND CUSTOM COLORS
- SPIRAL OR BLOCK & TACKLE BALANCE
- HALF OR FULL SCREEN
- LIMIT STOPS
- INSTALLATION SCREWS
- GRIDS
- OTHER OPTIONAL ACCESSORIES



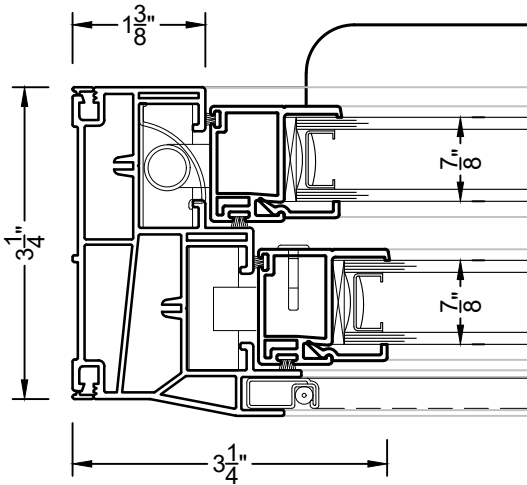
500 DOUBLE HUNG



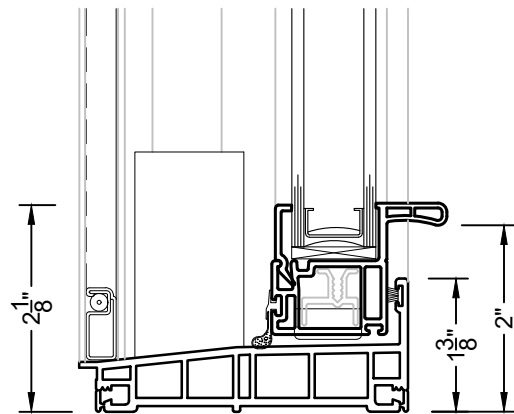
① HEAD
DH500



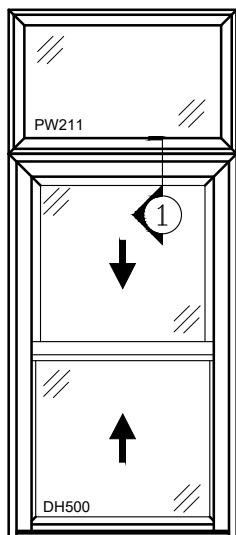
② MEETING RAIL
DH500



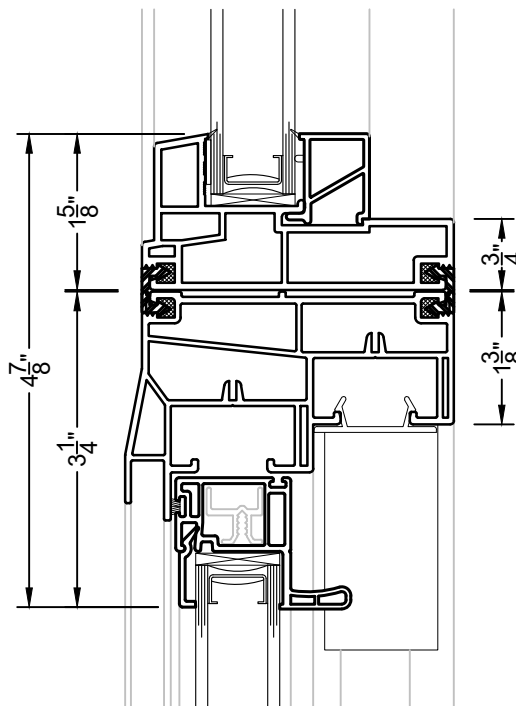
④ JAMB
DH500



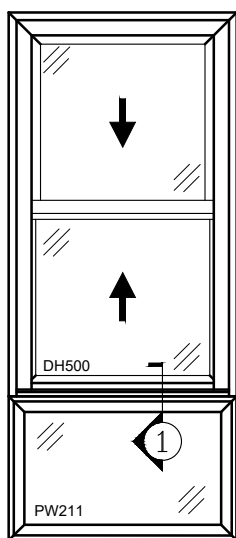
③ SILL
DH500



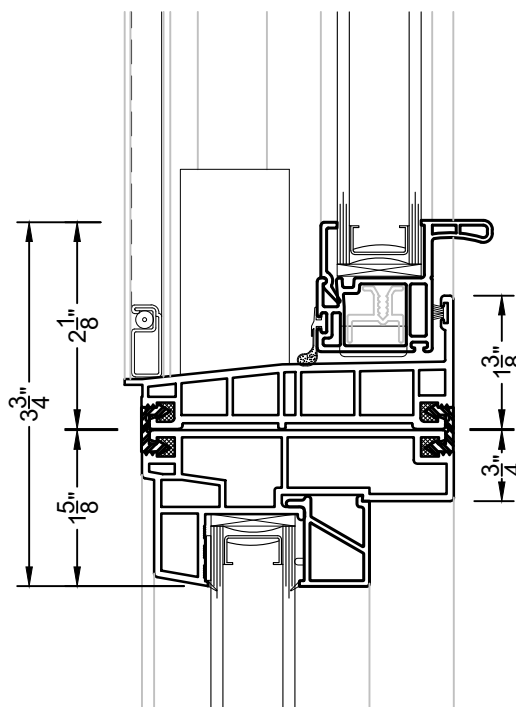
PW211 OVER DH500



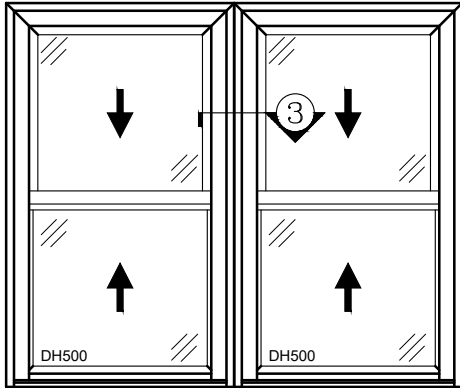
① 0 DEGREE MULLION
 PW211 OVER DH500



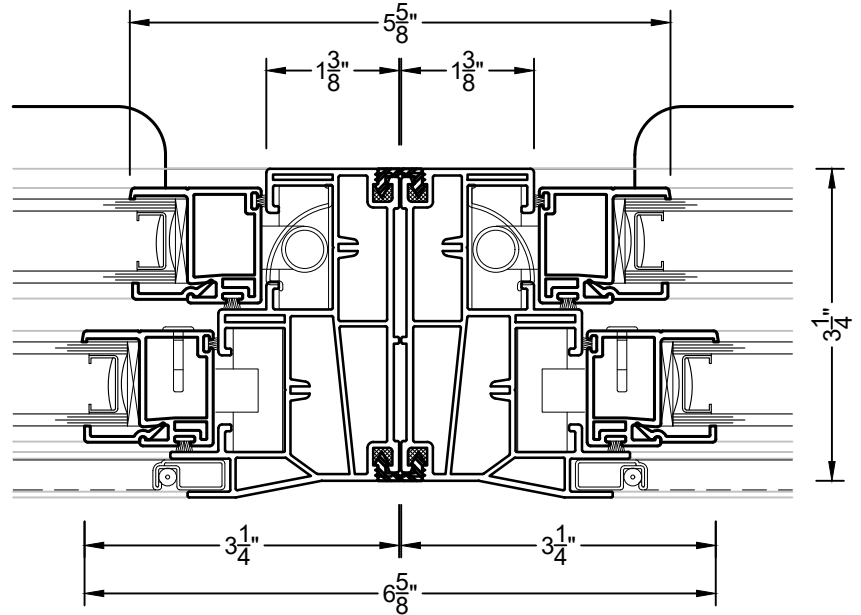
DH500 OVER PW211



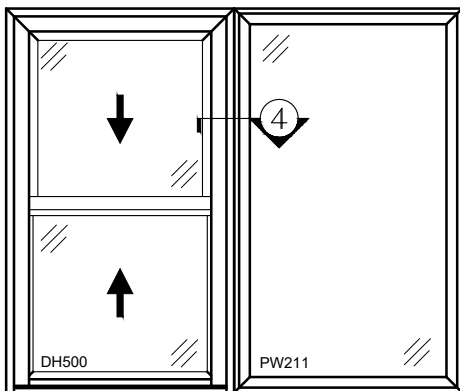
② 0 DEGREE MULLION
 DH500 OVER PW211



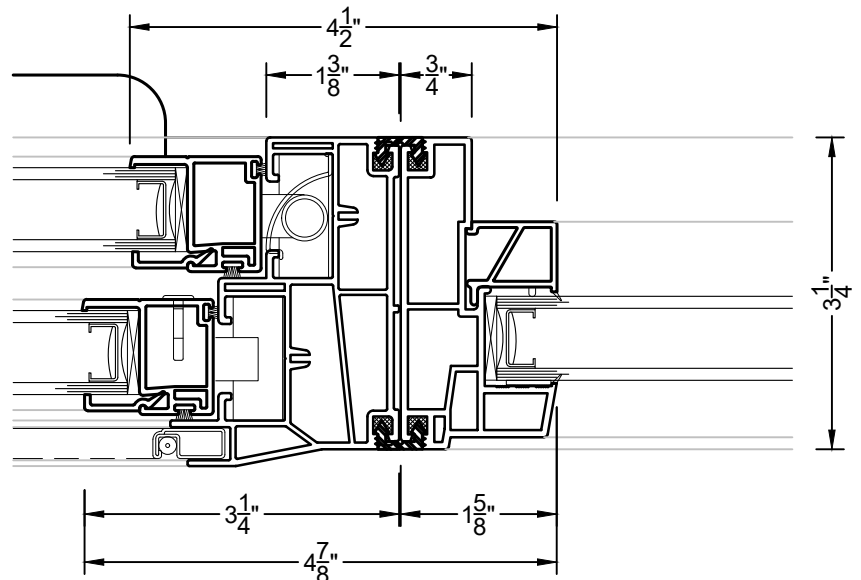
DH500 & PW211



③ 0 DEGREE MULLION
 DH500 & DH500



DH500 & PW211



④ 0 DEGREE MULLION
 DH500 & PW211