

SERIES 2300 HORIZONTAL SLIDING WINDOWS

TEST SIZE W x H	AAMA RATING	AIR INFILTRATION	DESIGN PRESSURE	WATER RESISTANCE	U-VALUE	SHGC	VT
71" x 59 ¹ / ₄ "	CW-PG50	≤0.30 cfm/ft ²	50 psf	7.5 psf	0.39-0.61	0.17-0.60	0.31-0.62



TABLE OF CONTENT

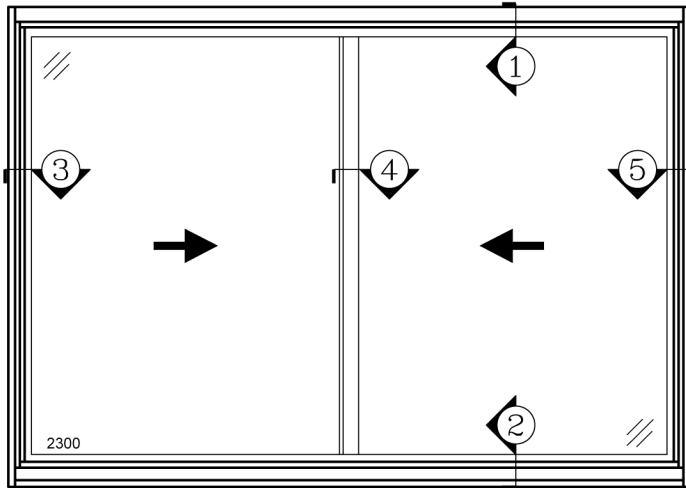
- INTRODUCTION -P1
- TWO LITE SLIDER -P2
- THREE LITE SLIDER -P3
- MULLION -P4-P5
- NAIL FIN -P6
- FACE FLANGE -P7-P8

FEATURES

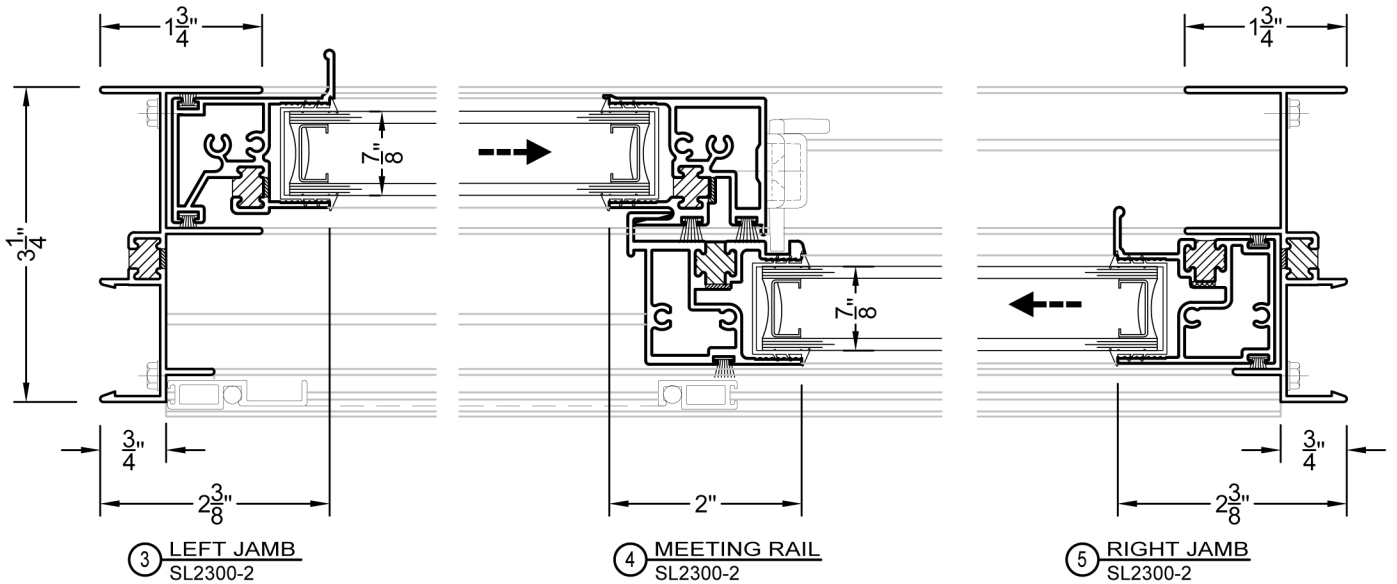
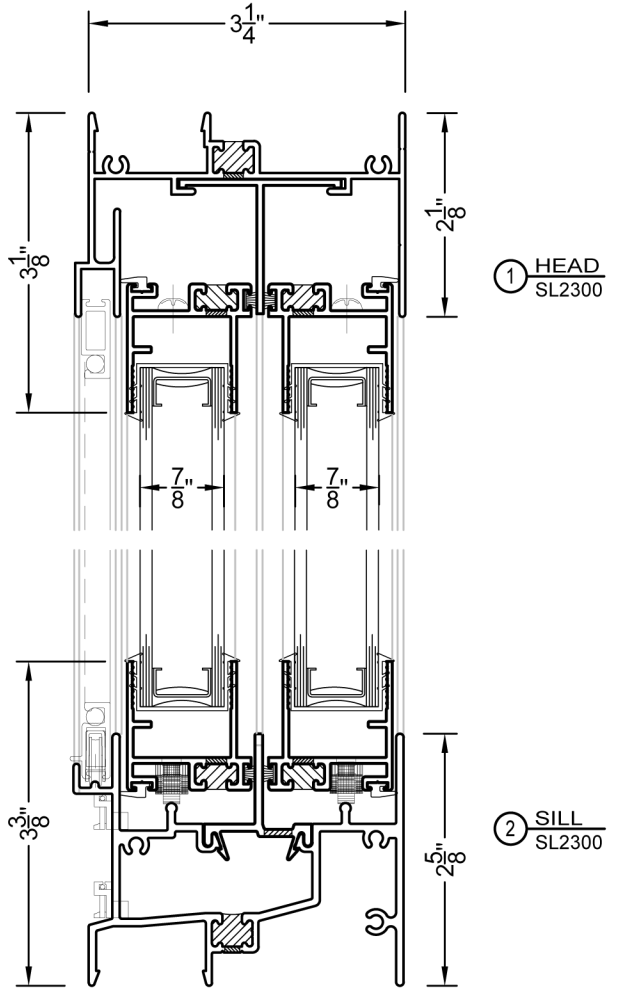
- ALUMINUM THERMAL-BREAK HORIZONTAL SLIDING WINDOW
- 3-1/4" FRAME DEPTH
- 7/8" DOUBLE PANE INSULATED GLASS
- AAMA 2604 POWDER COAT PAINT
- CORROSION RESISTANT TWO-WHEEL BRASS ROLLERS
- REMOVABLE SASHES
- MEETING RAIL LOCK(S)
- HALF SCREEN

OPTIONAL SELECTIONS

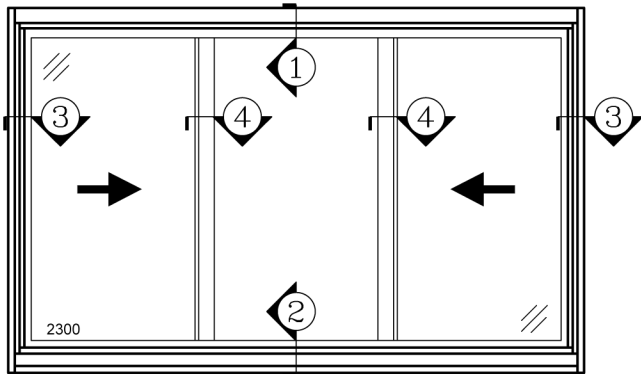
- LOW-E COATING & ARGON FILLED IGU
- 1-1/2" NAILING FIN (1-1/8" SETBACK)
- 1-1/2" OR 2-1/2" FACE FLANGE
- CUSTOM FINISH AND CUSTOM COLOR
- GRIDS
- VINYL SASH STOPS
- FULL SCREEN
- OTHER OPTIONAL ACCESSORIES



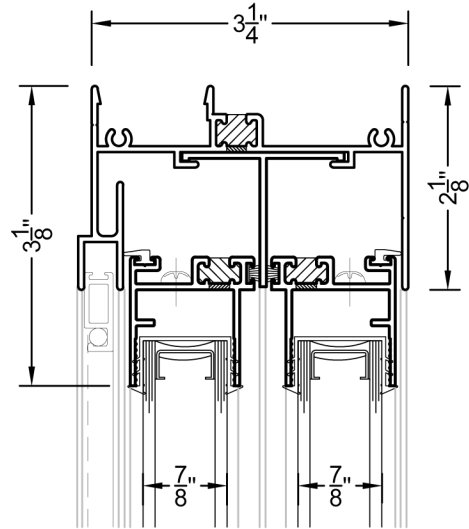
2300-2 TWO LITE SLIDER



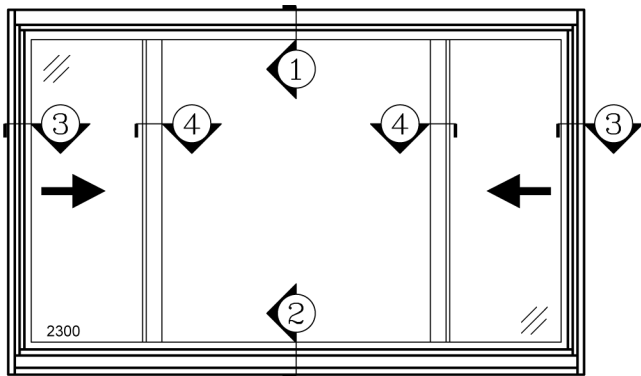
VER: 2020.03



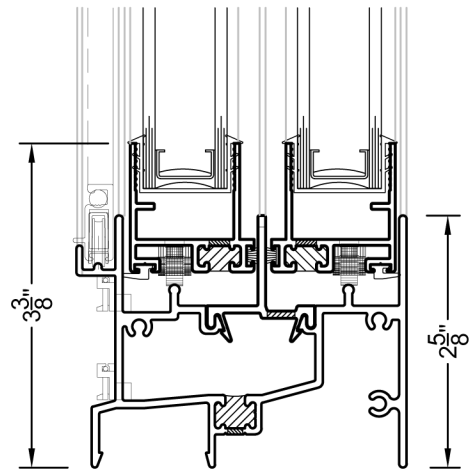
2300-3 THREE LITE SLIDER EQUAL LITE (X-O-X)



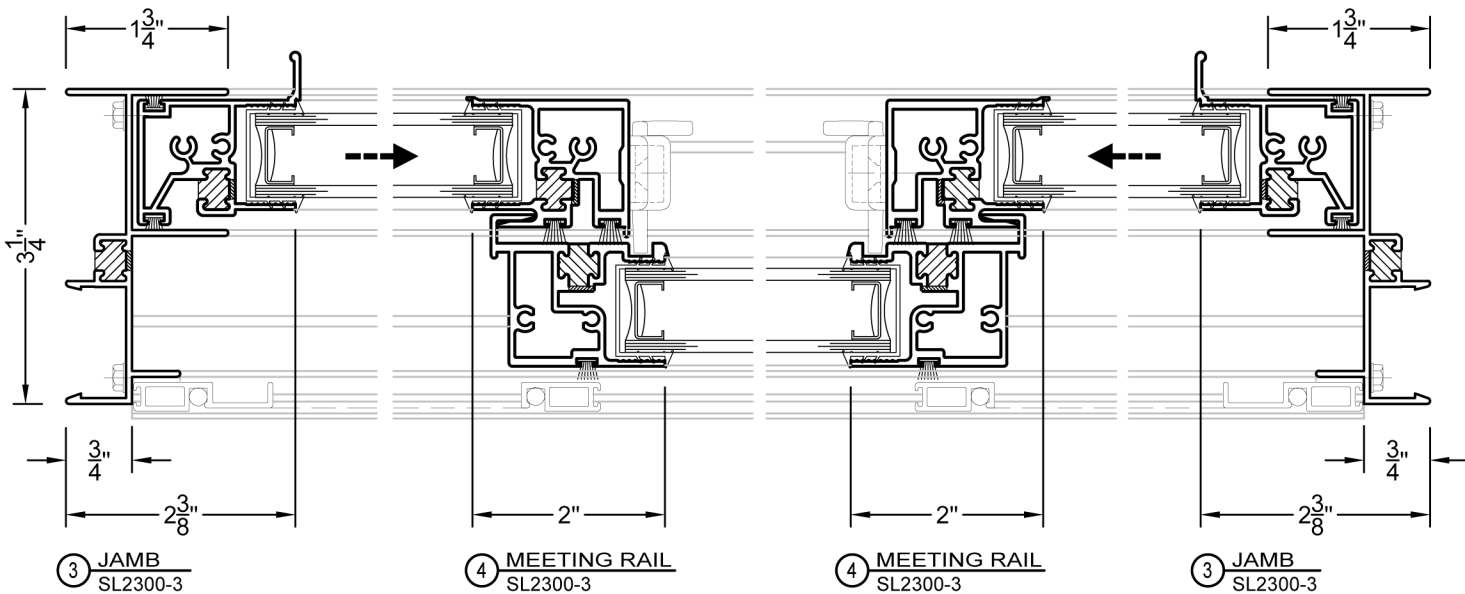
① HEAD
SL2300



2300-3 THREE LITE SLIDER UNEQUAL LITE (X-O-X)



② SILL
SL2300

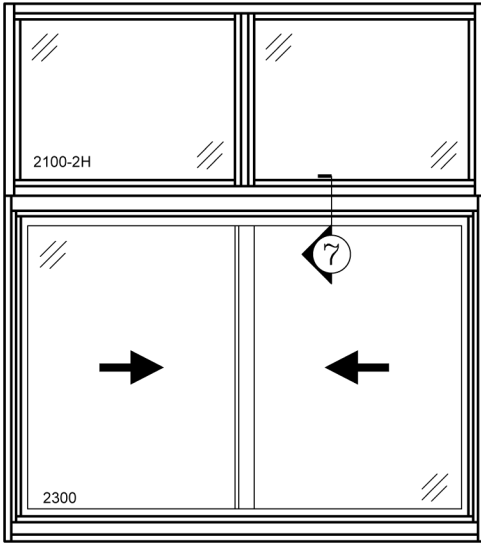


③ JAMB
SL2300-3

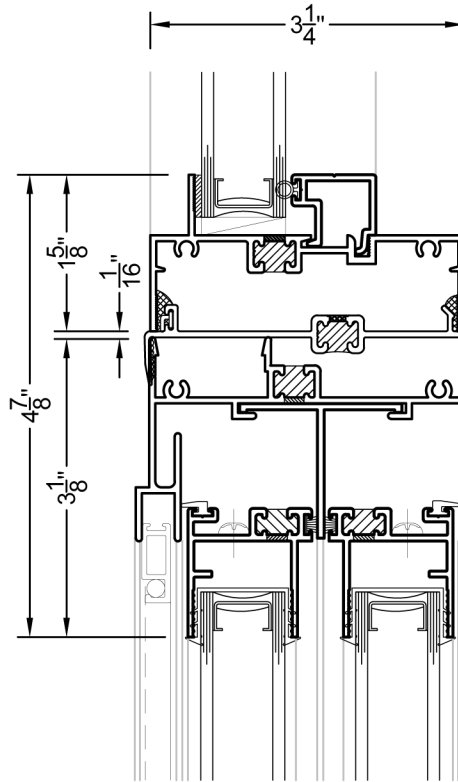
④ MEETING RAIL
SL2300-3

④ MEETING RAIL
SL2300-3

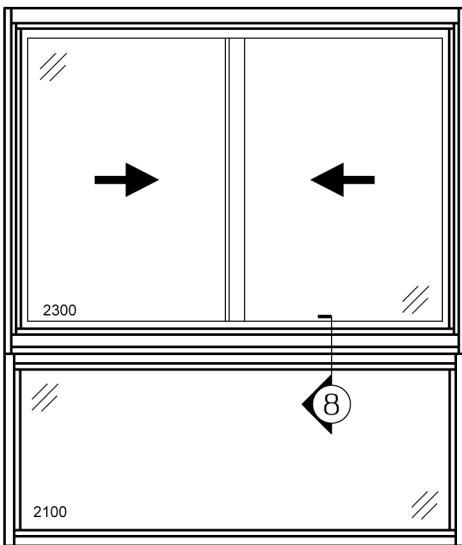
③ JAMB
SL2300-3



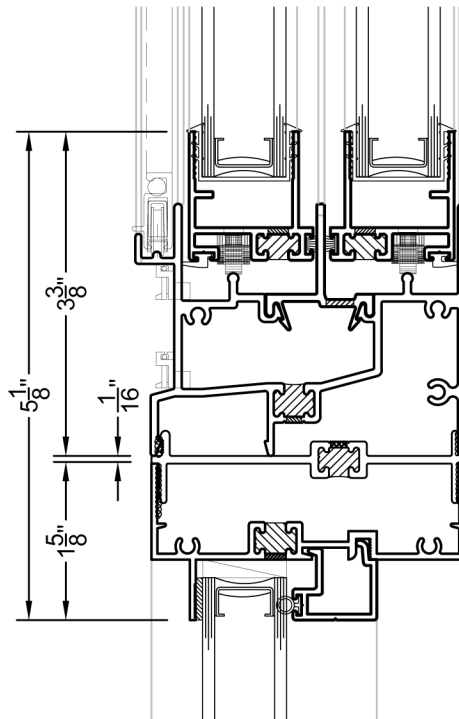
PW2100T OVER SL2300-2



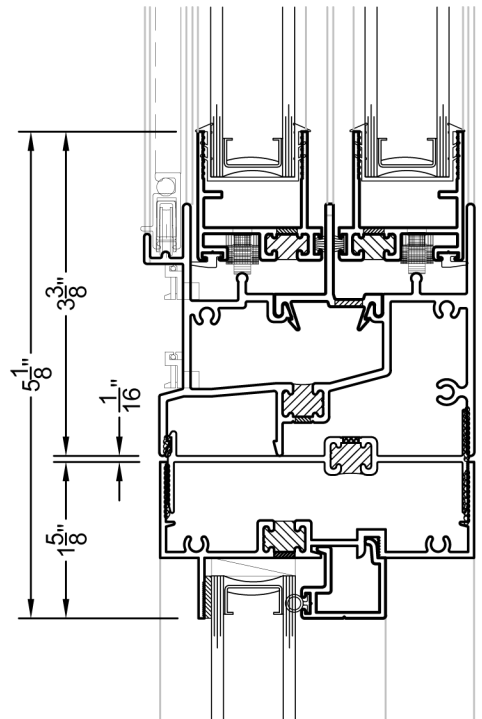
7 STACK MULLION
 PW2100 OVER SL2300



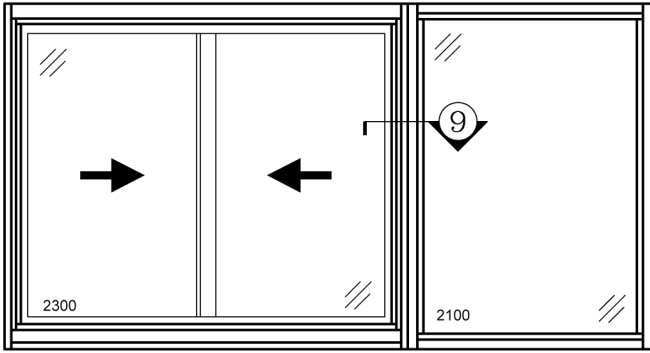
SL2300-2 & PW2100



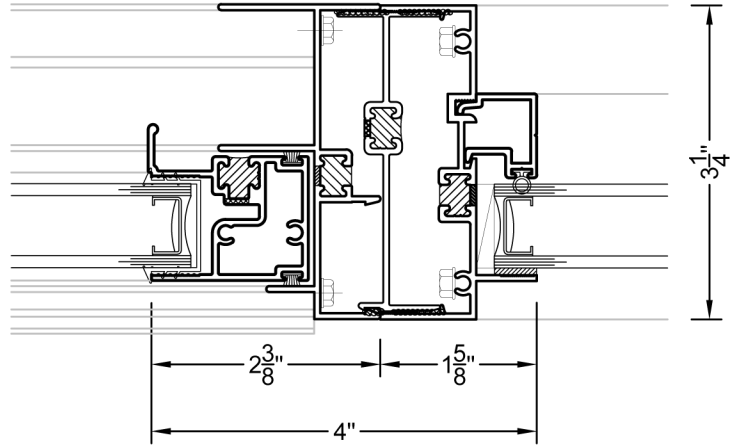
8 SHORT LEG STACK MULLION
 SL2300 OVER PW2100



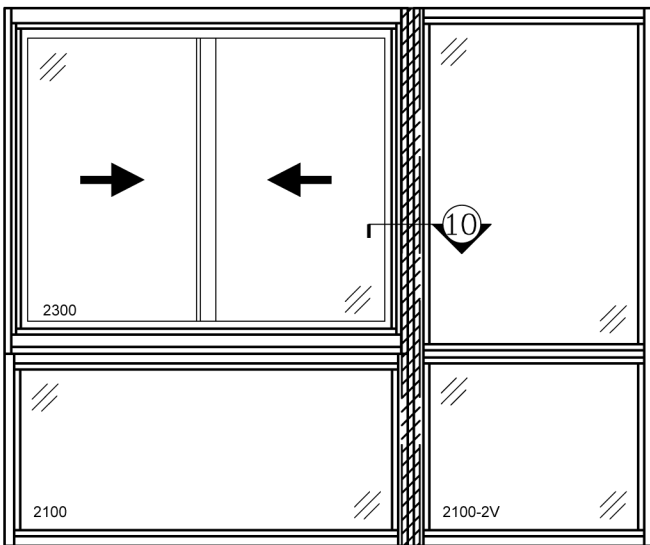
8A SHORT LEG H MULLION
 SL2300 OVER PW2100



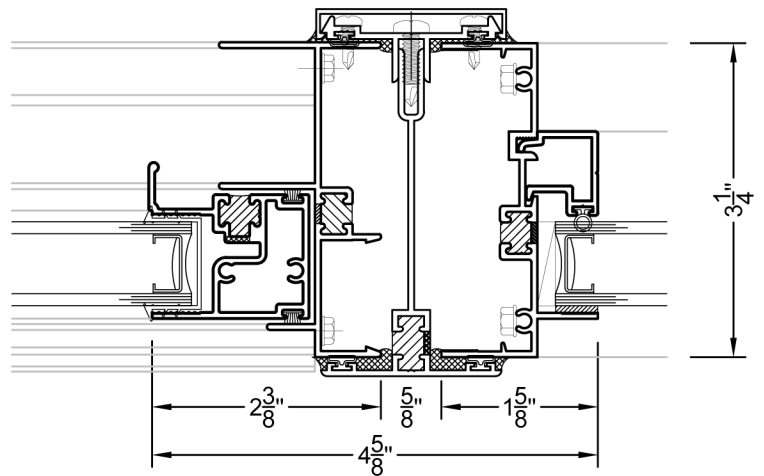
SL2300-2 & PW2100



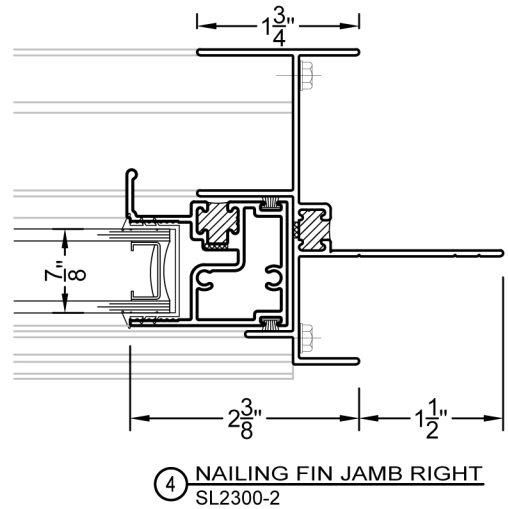
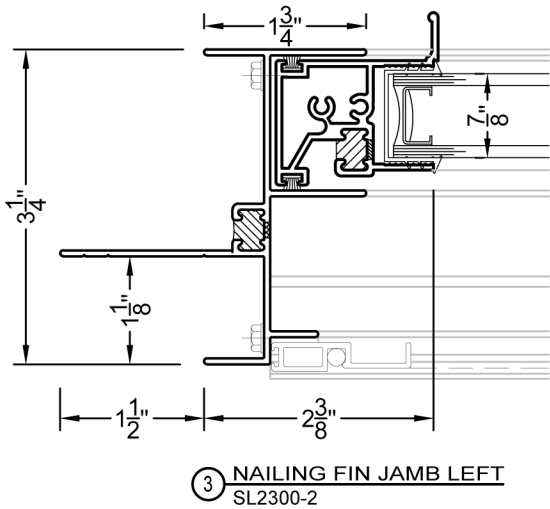
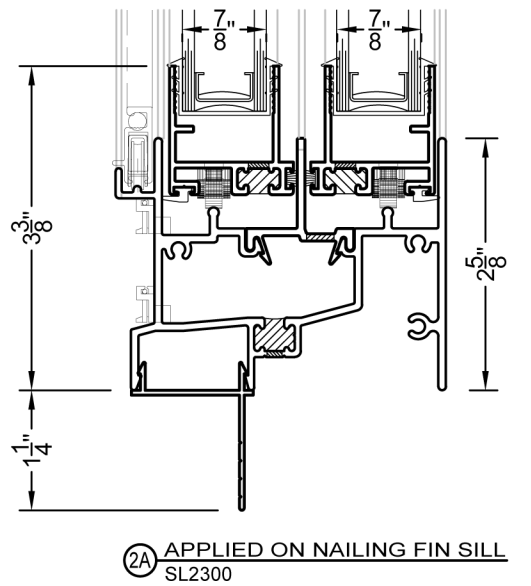
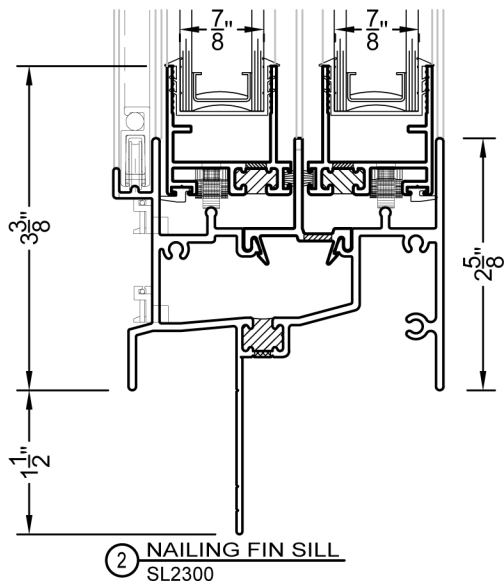
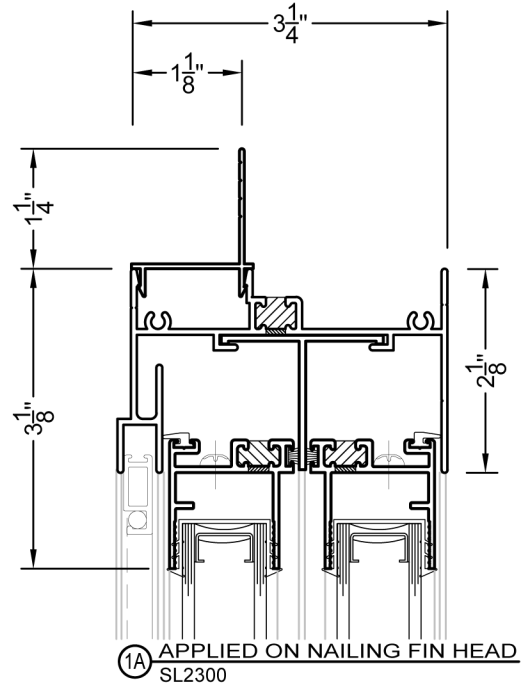
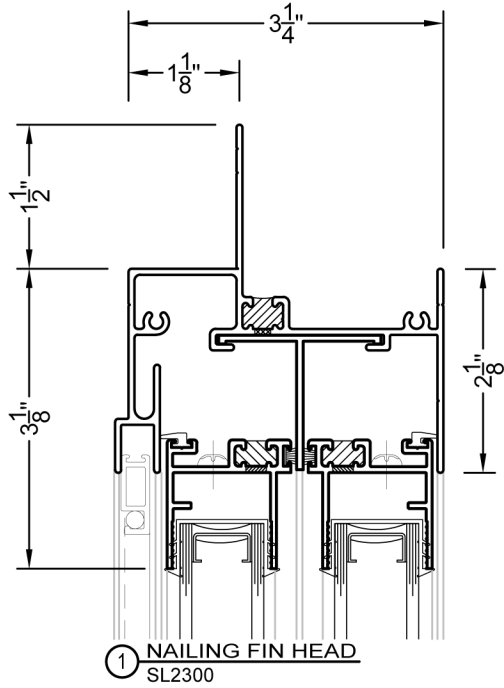
9 SHORT LEG H MULLION
 SL2300 & 2100 PW



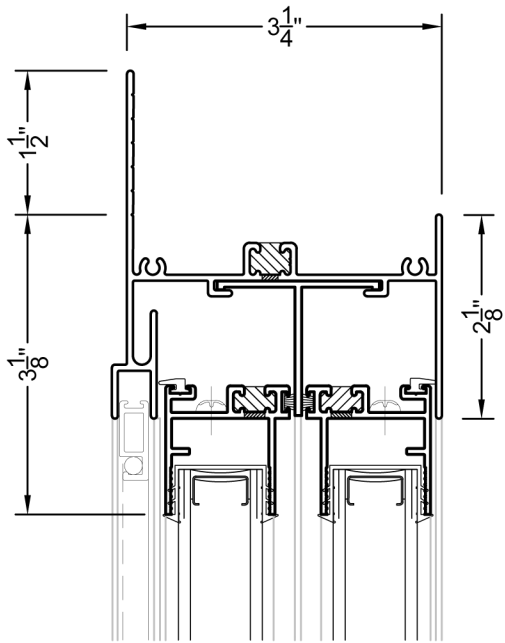
SL2300 OVER PW2100 & PW2100-2V
 W/ 3PC MULLION



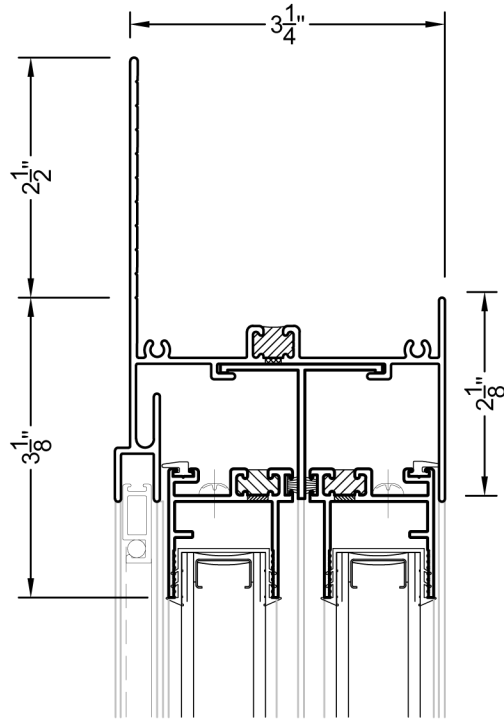
10 3PC MULLION
 SL2300 & 2100 PW



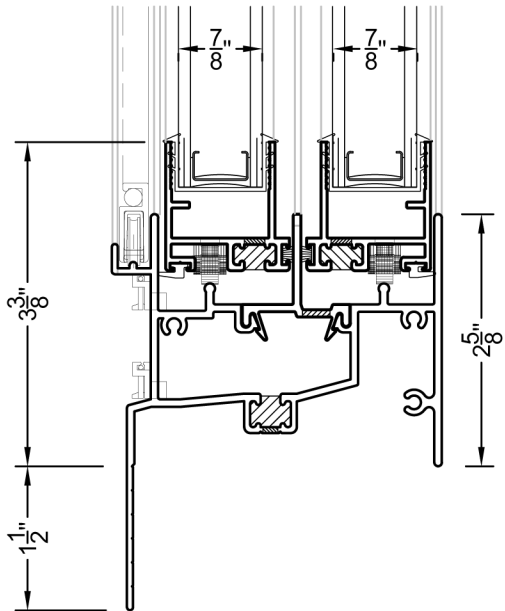
VER: 2020.03



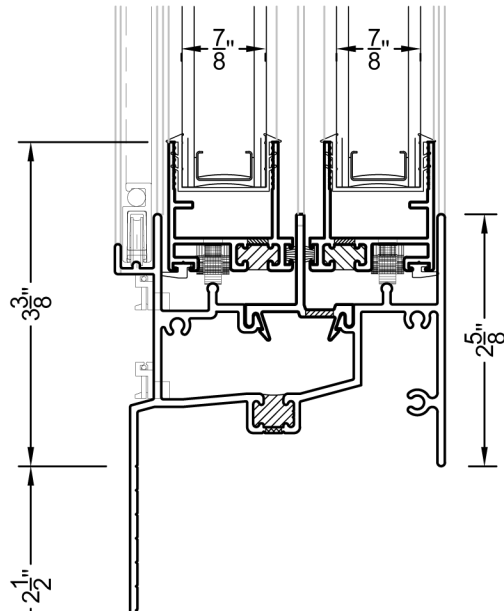
① 1-1/2" FLANGE HEAD
 SL2300



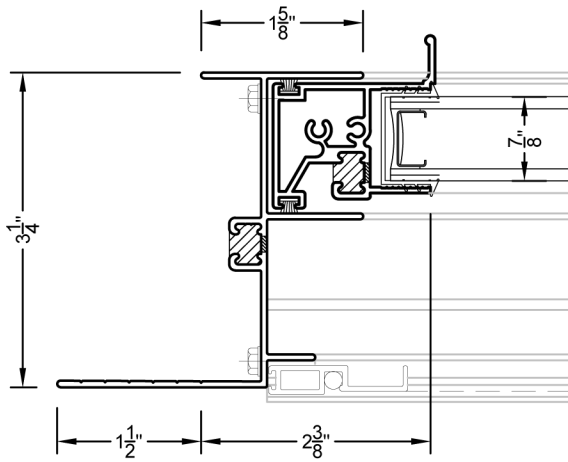
①A 2-1/2" FLANGE HEAD
 SL2300



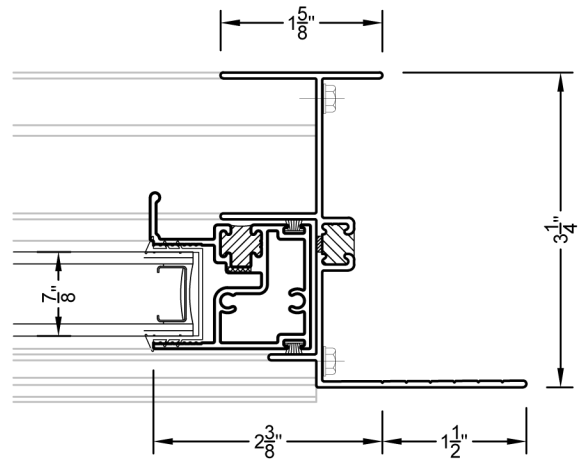
② 1-1/2" FLANGE SILL
 SL2300



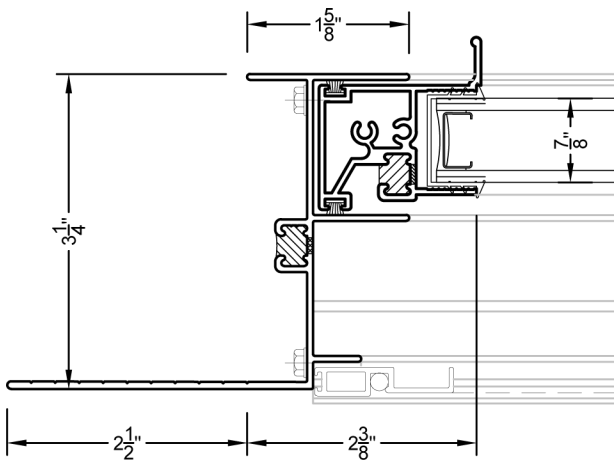
②A 2-1/2" FLANGE SILL
 SL2300



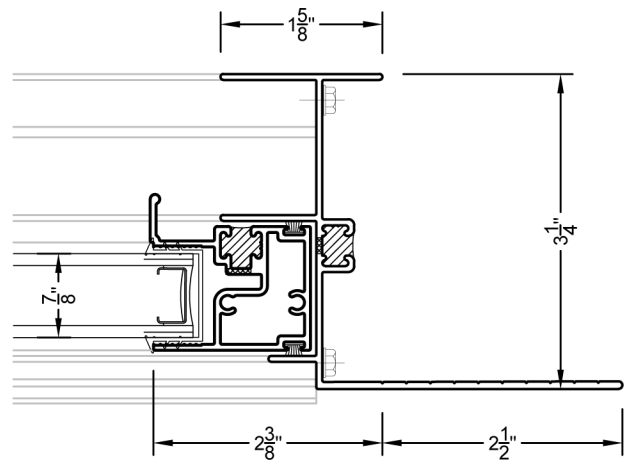
③ 1-1/2" FLANGE JAMB LEFT
 SL2300



④ 1-1/2" FLANGE JAMB RIGHT
 SL2300



③A 2-1/2" FLANGE JAMB LEFT
 SL2300



④A 2-1/2" FLANGE JAMB RIGHT
 SL2300