

SERIES 2000A DOUBLE HUNG WINDOWS

TEST SIZE W x H	AAMA RATING	AIR INFILTRATION	DESIGN PRESSURE	WATER RESISTANCE	U-VALUE	SHGC	VT
56" x 91"	CW-PG50	≤0.30 cfm/ft ²	50 psf	7.5 psf	0.37-0.60	0.17-0.60	0.31-0.62



TABLE OF CONTENT

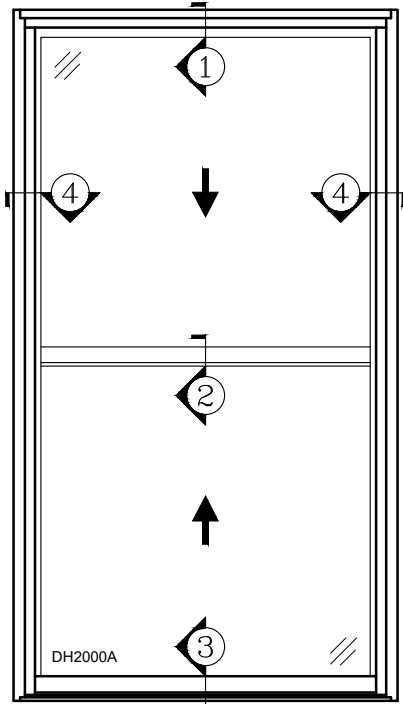
- INTRODUCTION -P1
- SECTION DETAILS -P2
- MULLION -P3-P4
- NAIL FIN -P5
- FACE FLANGE -P6-P7
- TRIPLE GLAZING -P7
- A/C ORIEL KIT -P8-P9

FEATURES

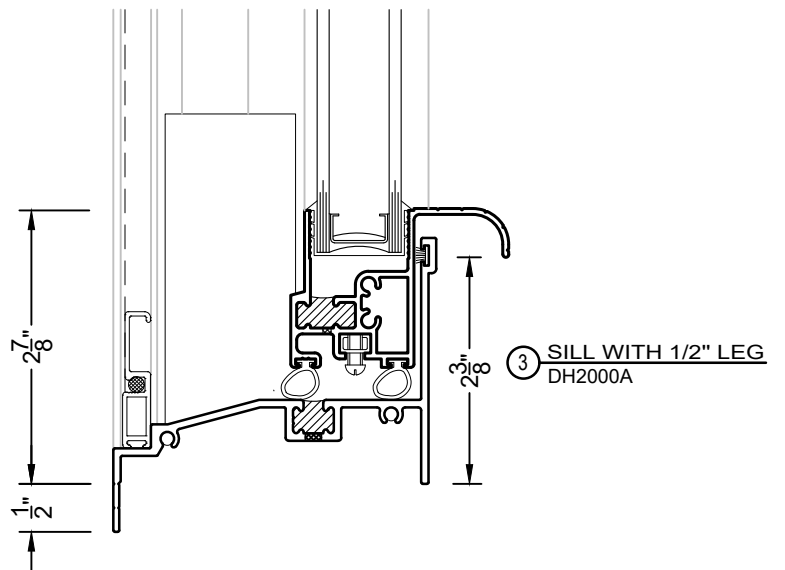
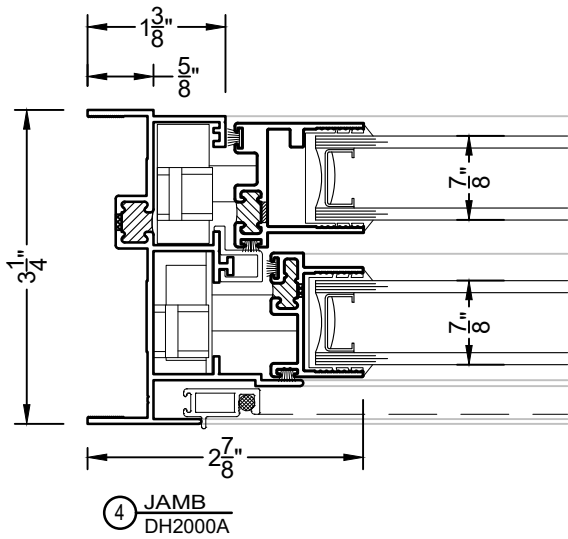
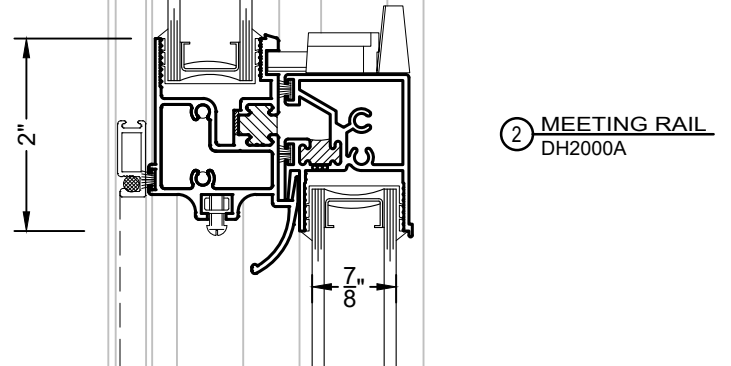
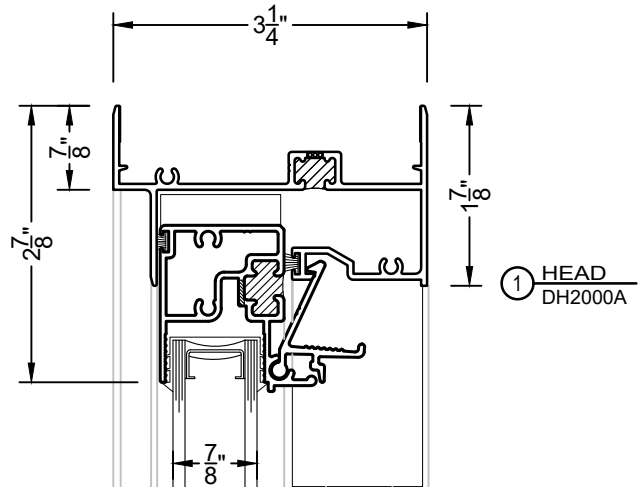
- ALUMINUM THERMAL-BREAK DOUBLE HUNG TILT WINDOW
- 3-1/4" FRAME DEPTH
- 7/8" DOUBLE PANE INSULATED GLASS
- AAMA 2604 POWDER COAT PAINT
- EQUAL SIGHTLINE DESIGN
- SLOPED SILL
- SILL WITH 1/2" EXTERIOR LEG
- TILT SASH WITH TILT LATCH
- CONTINUOUS LIFT HANDLE ON BOTTOM SASH
- ANTI-DRIFT HEAD CLIP LOCK
- MEETING RAIL LOCK
- SPIRAL BALANCES
- INSTALLATION SCREWS

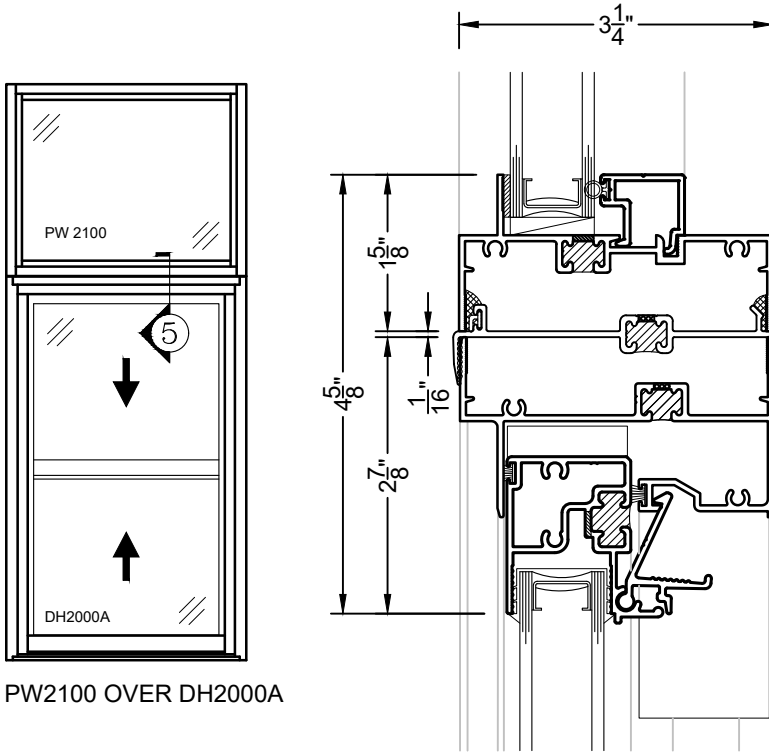
OPTIONAL SELECTIONS

- LOW-E COATING & ARGON FILLED IGU
- SILL WITH EQUAL LEG
- 1-1/4" NAILING FIN (1-1/8" SETBACK)
- FACE FLANGE WITH VARIOUS SIZE
- CUSTOM FINISH AND CUSTOM COLORS
- GRIDS
- BLOCK & TACKLE OR ULTRA LIFT BALANCES
- OTHER OPTIONAL ACCESSORIES
- A/C ORIEL KIT
- HALF OR FULL SCREEN
- SASH STOPS



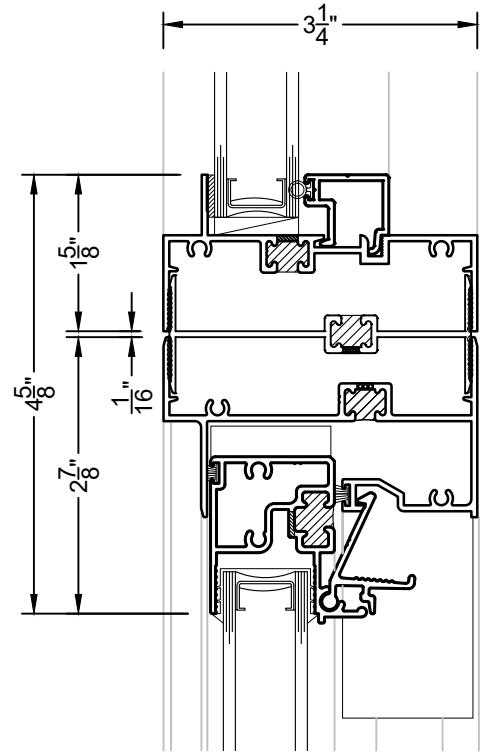
2000A DOUBLE HUNG



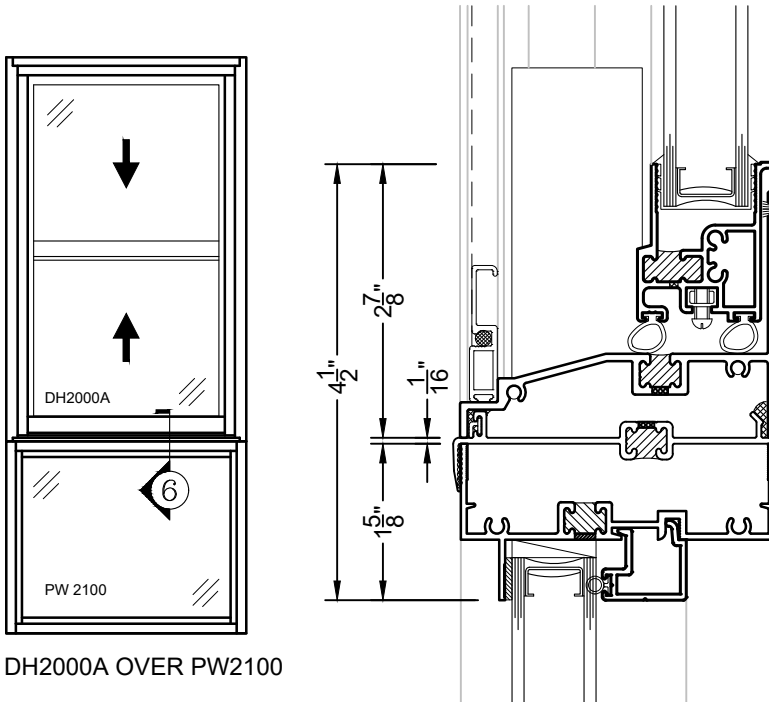


PW2100 OVER DH2000A

5 STACK MULLION
 PW2100 OVER DH2000A

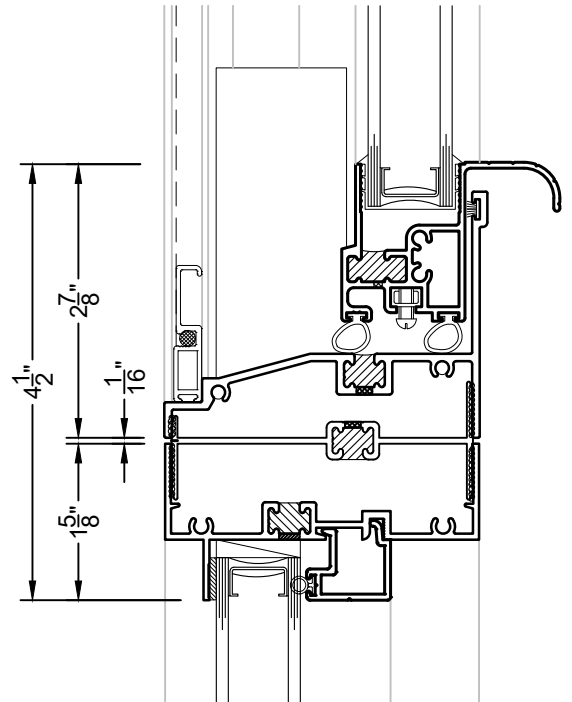


5A H MULLION
 PW2100 OVER DH2000A

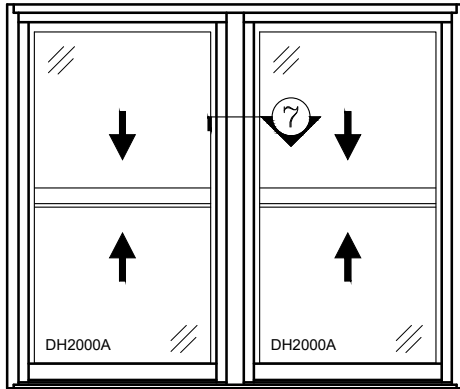


DH2000A OVER PW2100

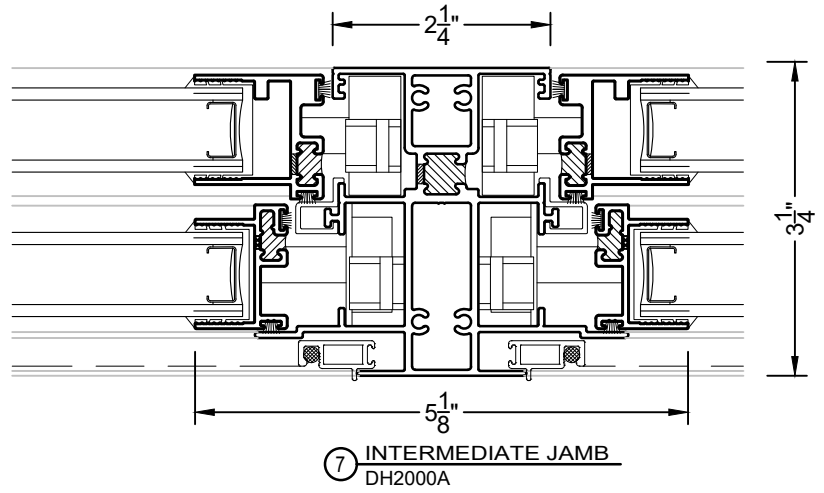
6 STACK MULLION
 DH2000A OVER PW2100



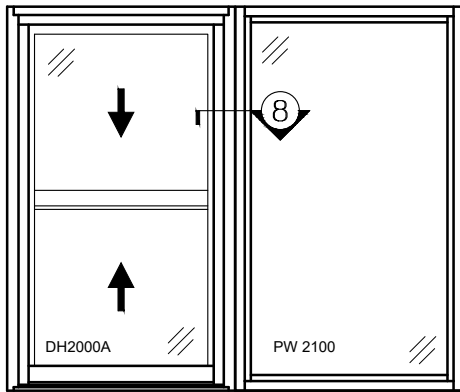
6A SHORT LEG H MULLION
 DH2000A OVER PW2100



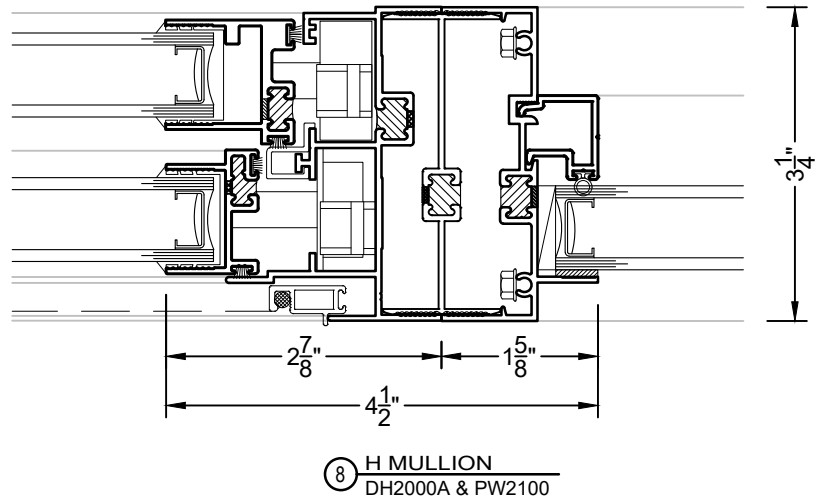
2000A TWIN DOUBLE HUNG



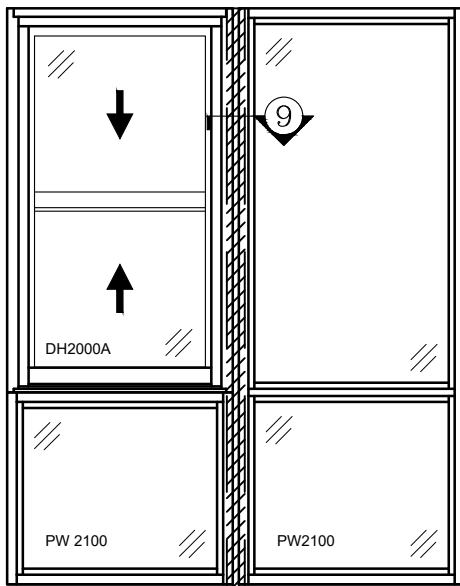
⑦ INTERMEDIATE JAMB
 DH2000A



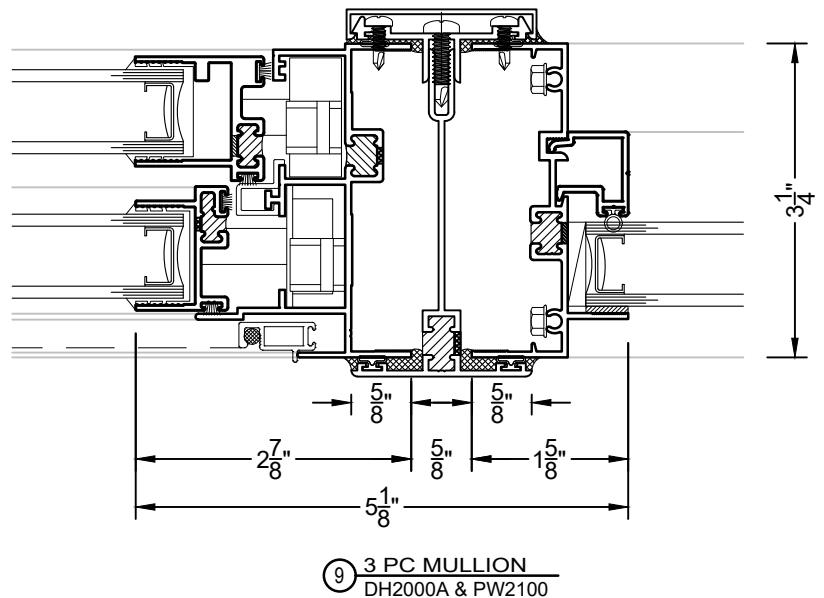
DH2000A & PW2100



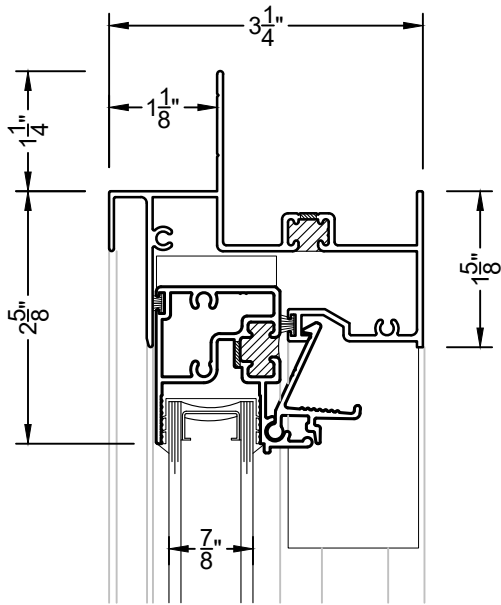
⑧ H MULLION
 DH2000A & PW2100



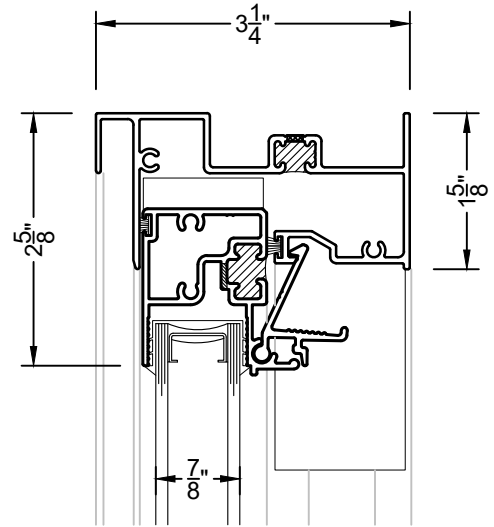
DH2000A OVER PW2100 &
 PW2100T W/ 3PC MULLION



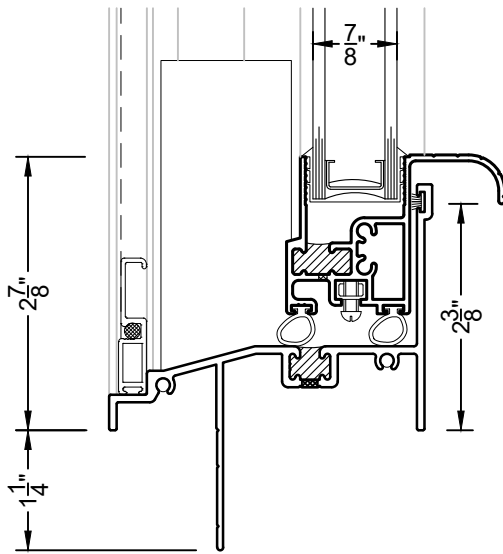
⑨ 3 PC MULLION
 DH2000A & PW2100



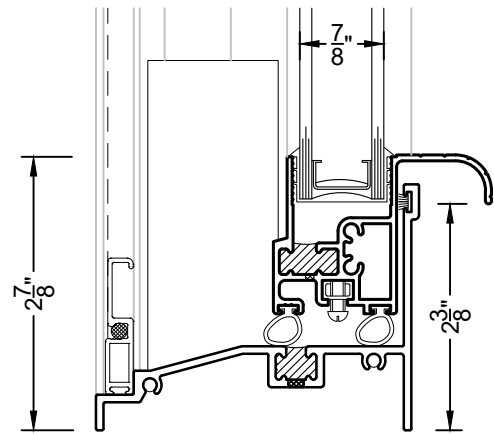
① **NAILING FIN HEAD**
DH2000A



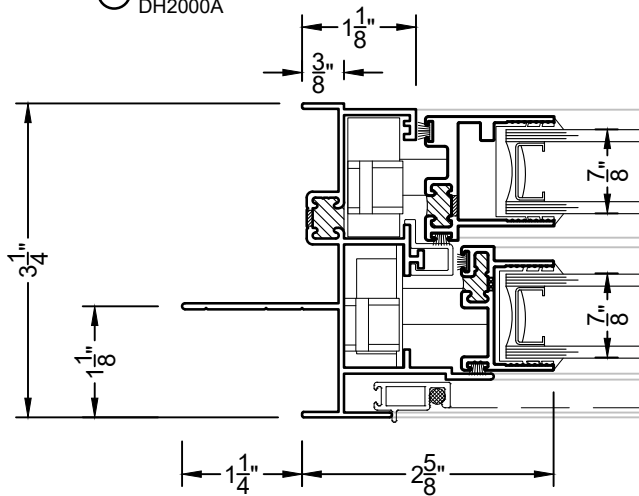
①A **NAILING FIN HEAD W/O FIN**
DH2000A



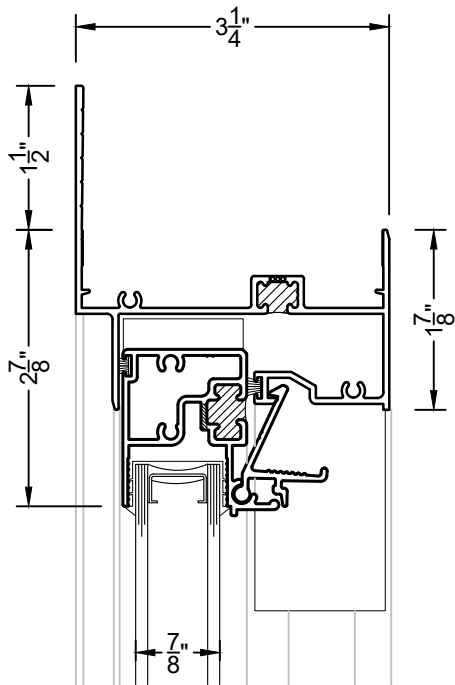
② **NAILING FIN SILL**
DH2000A



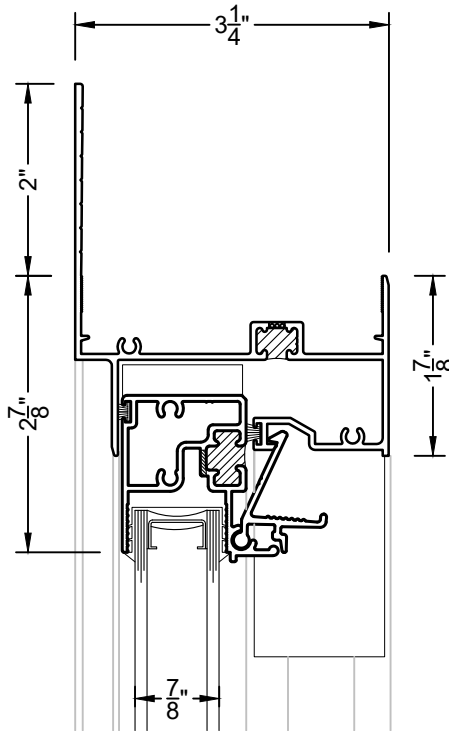
②A **SILL WITH EQUAL LEG**
DH2000A



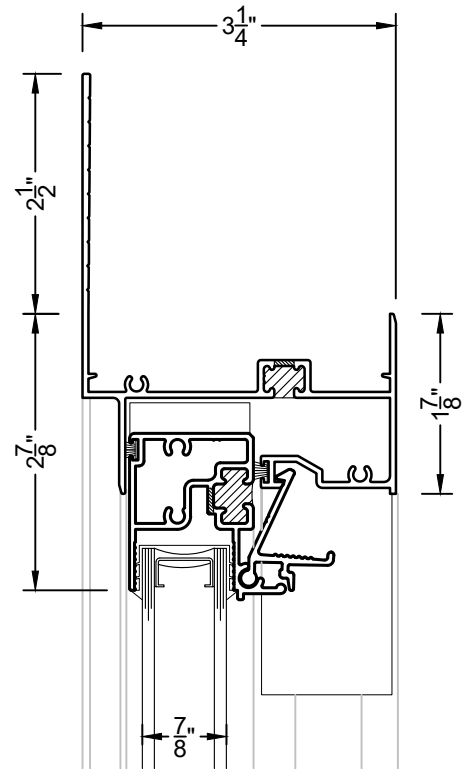
③ **NAILING FIN JAMB**
DH2000A



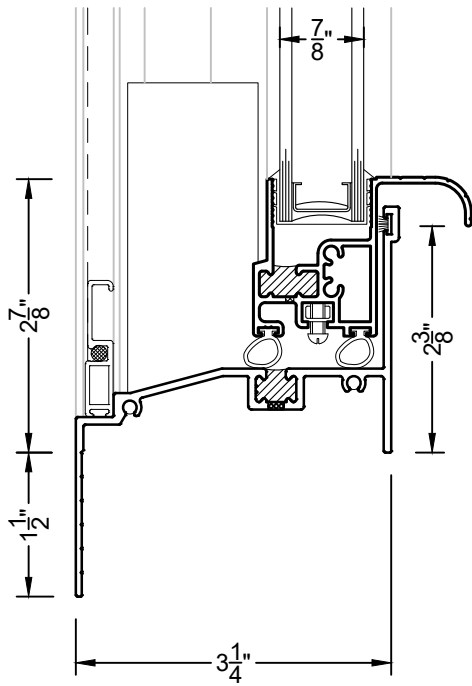
① 1-1/2" FLANGE HEAD
 DH2000A



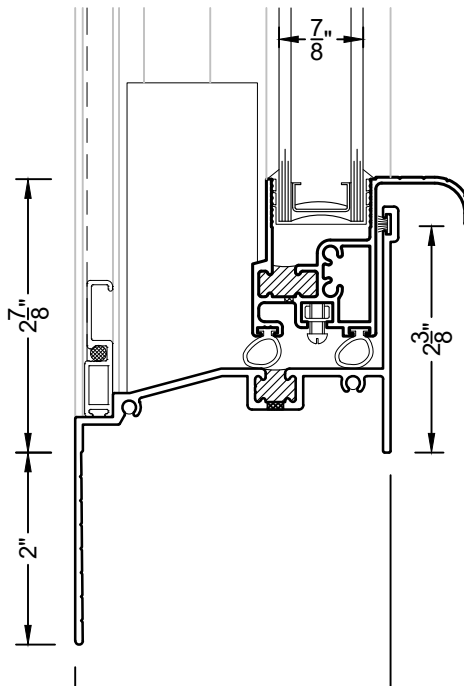
①A 2" FLANGE HEAD
 DH2000A



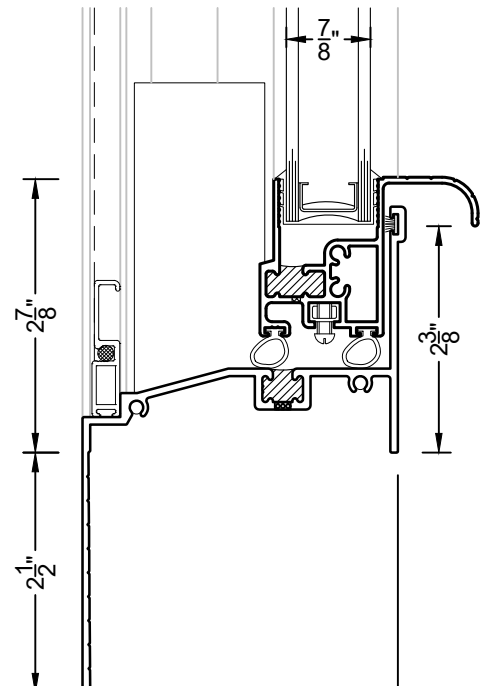
①B 2-1/2" FLANGE HEAD
 DH2000A



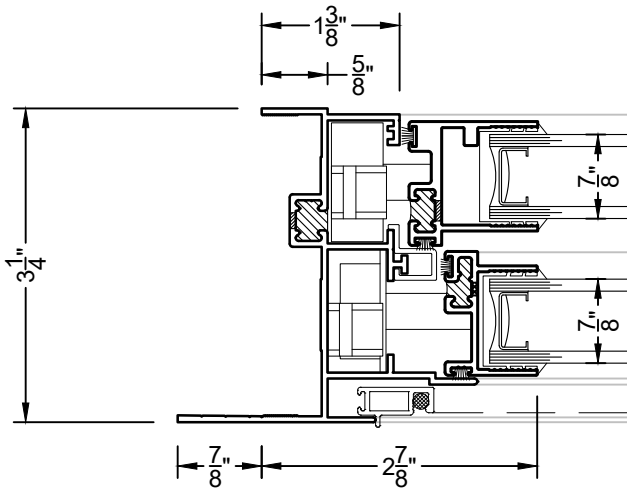
② 1-1/2" FLANGE SILL
 DH2000A



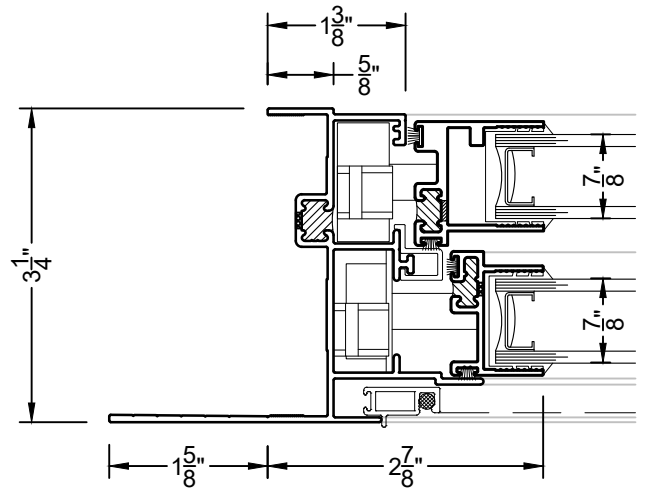
②A 2" FLANGE SILL
 DH2000A



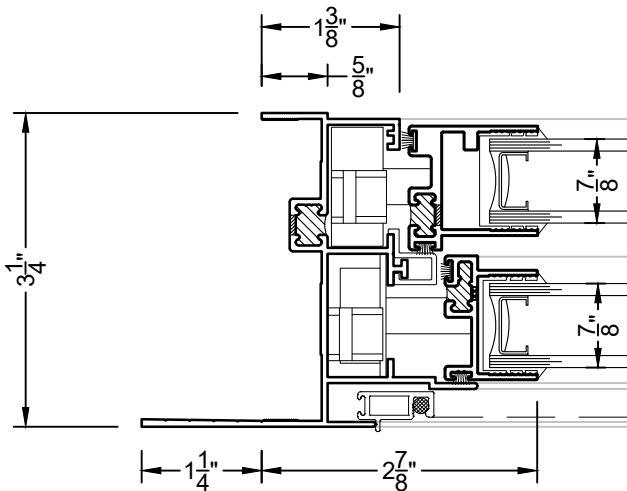
②B 2-1/2" FLANGE SILL
 DH2000A



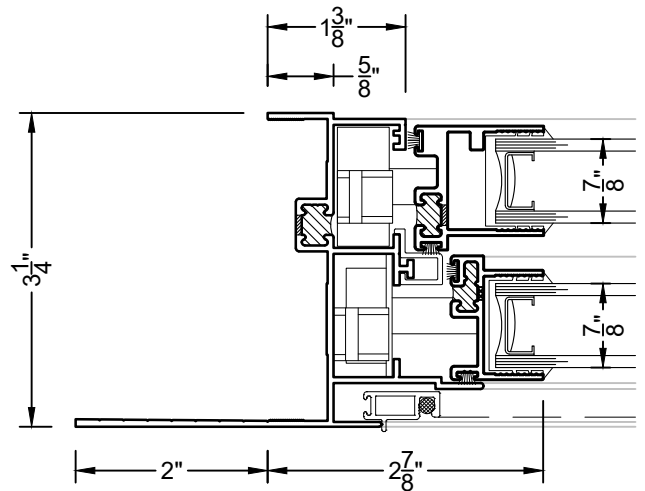
③ 7/8" FLANGE JAMB
 DH2000A



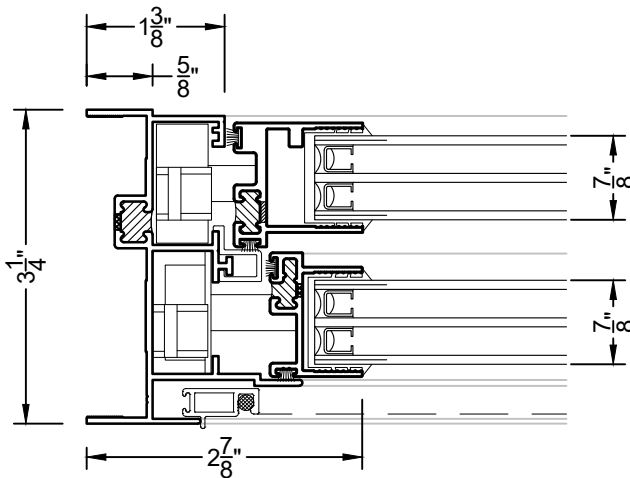
③B 1-5/8" FLANGE JAMB
 DH2000A



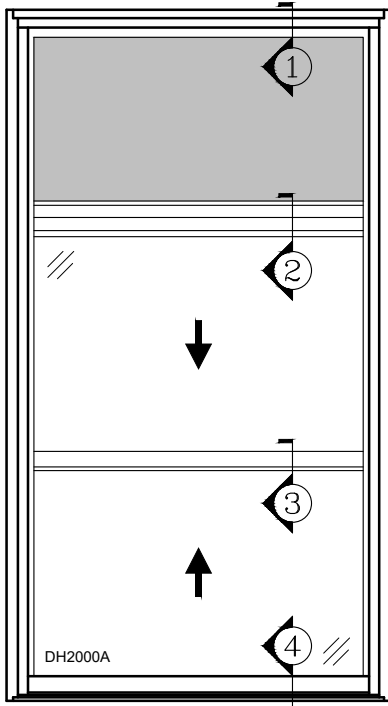
③A 1-1/4" FLANGE JAMB
 DH2000A



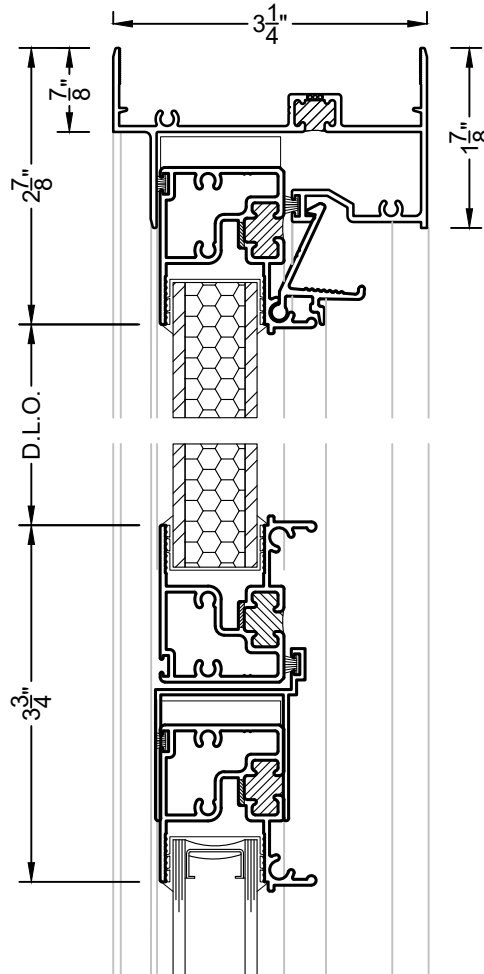
③C 2" FLANGE JAMB
 DH2000A



③D JAMB W/ TRIPLE GLAZING
 DH2000A

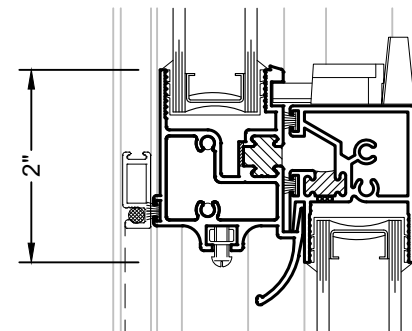


DH2000A WITH A/C ORIEL KIT
 AT TOP SASH

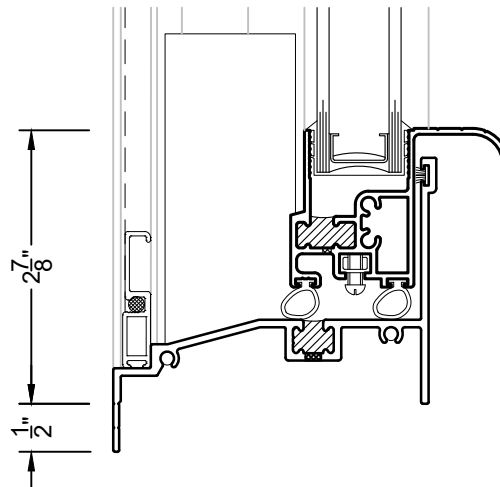


① HEAD
 DH2000A

② AC KIT
 DH2000A



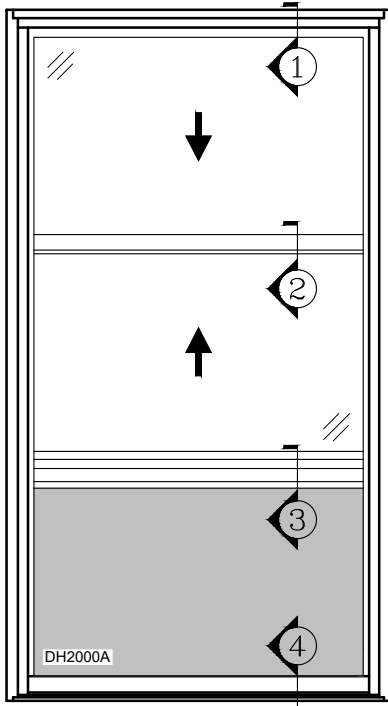
③ MEETING RAIL
 DH2000A



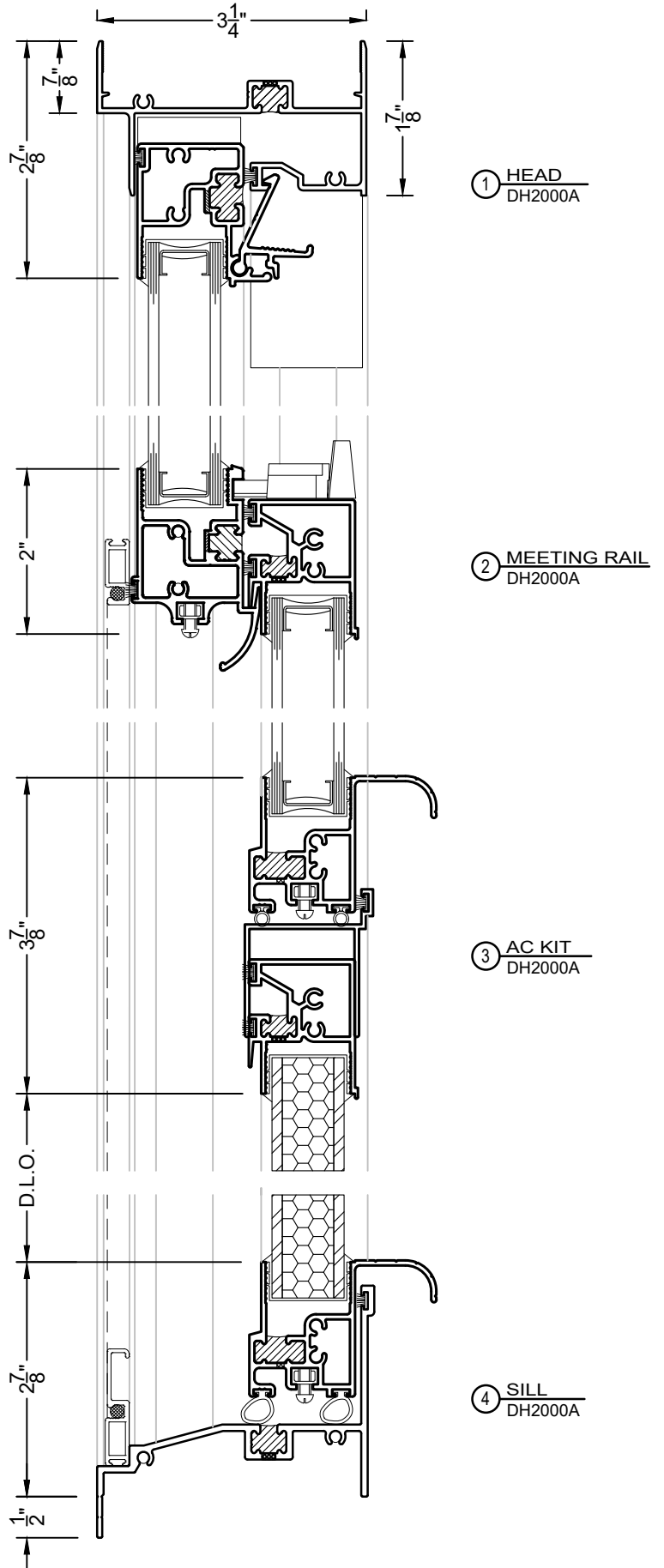
④ SILL
 DH2000A

VER: 2020.03

NO WATER PERFORMANCE
 WARRANTY FOR A/C ORIEL KIT.
 PLEASE CONTACT YOUR SALE REP.
 FOR MORE INFORMATION.



DH2000A WITH A/C ORIEL KIT
 AT BOTTOM SASH



VER: 2020.03

NO WATER PERFORMANCE
 WARRANTY FOR A/C ORIEL KIT.
 PLEASE CONTACT YOUR SALE REP.
 FOR MORE INFORMATION.